

Ramset Service Parts



Effective 8/2017

www.ramset.com

www.itwconstructionparts.com

Ramset Factory Direct Tool Repair and Replacement Part Orders

Effective October 1, 2012, all Ramset tool repairs and parts orders have been moved to ITW Construction and Service Parts in Lake Forest IL.

Tool Repair Service and Warranty

Log on to www.ramsetrepair.com to send your tool in for service. Upon setting up an account, you can send the tool(s) directly to the Lake Forest, IL service center for factory repair.

- Upfront Pricing – see website for details
- UPS ground shipping included – Both ways!
- Emailed updates regarding repair status
- Top Factory Repair Technicians

Tools are shipped to:

ITW Construction Service and Parts
Ramset Tool Service
13825 West Business Center Drive
Unit A
Lake Forest, IL 60045



Replacement Parts Orders

Log on to www.itwconstructionparts.com or www.sendmyparts.com to order some of the more common replacement parts via the website.

- Be sure to watch for the coupon codes on the website!

Part orders can be faxed or emailed to:

- Fax Orders: 800-529-8680
- Email Orders: spcustomer.service@itwserviceparts.com



To check status of orders Construction Parts Customer Service can be reached at: 800-634-7373

Schematics and Manuals

Tool Schematics, Operators Manuals, Repair literature and general information can still be found on the Ramset website: www.ramset.com/repair.asp

NOTE: OBSOLETE TOOLS

Pages in this book showing “**OBSOLETE**” means the tool is no longer supported. Parts for these tools will only exist as long as on hand inventory is available.

ORDER BY FAX OR EMAIL

f: 800-529-8680 e: spcustomer.service@itwserviceparts.com

| | |
|--|-----|
| Service Policy | 3 |
| Tools and Accessories | 4 |
| Gas Tools | |
| TrakFast TF1100 | |
| TF1100 Handle Assembly (Part 1) | 5 |
| TF1100 Handle Assembly (Part 2) | 7 |
| TF1100 Housing Assembly Original Nose Before Serial No. 301080281 | 9 |
| TF1100 Housing Assembly Telescoping Nose After Serial No. 301080281 | 11 |
| TF1100 TRAKFAST One-Piece Nose After Serial No. 308100247, OCT. 2008 | 13 |
| TF1100 Magazine Assembly | 15 |
| TrakFast TF1200 | |
| TF1200 Motor Assembly | 17 |
| TF1200 Handle Assembly | 19 |
| TF1200 Magazine Assembly | 21 |
| T3SS | |
| T3SS Nose & Housing Assembly | 23 |
| T3SS Cylinder Head Assembly | 25 |
| T3SS Handle Assembly | 27 |
| T3MAG | |
| T3 Magazine Nose Assembly | 29 |
| T3 Magazine Assembly | 31 |
| T3 Magazine Cylinder Head Assembly | 33 |
| T3 Magazine Handle Assembly | 35 |
| GypFast Gas tool | 37 |
| G2 Gas tool | 49 |
| Air Tools | |
| GypFast Air | 57 |
| GypFast Air HD | 67 |
| Single Shot Tools | |
| 721 | 77 |
| RS22 | 79 |
| Mastershot | 81 |
| Disc Tools | |
| D45A | 83 |
| D60 | 85 |
| Strip Tools | |
| R25 | 87 |
| SA270G | 89 |
| Cobra | 91 |
| Cobra + | 93 |
| Cobra +(2013 VERSION) | 95 |
| Cobra +(2016 VERSION) | 97 |
| Viper III Plastic Housing | 99 |
| Viper 4 | 101 |
| XT540 | 103 |
| Warranty Periods | 105 |

ORDER BY FAX OR EMAIL

f: 800-529-8680 e: spcustomer.service@itwserviceparts.com

Servicing of any ITW Ramset tools at Ramset's factory repair locations will follow a 3 level pricing structure based on the repair complexity. Service levels are priced competitively and provide an upfront cost to the repair. These levels are unique to the tool model being serviced, and are designed to replace only those components as needed or identified as potential problems. Pricing includes parts, labor, and return shipping via UPS ground.

Examples of the repairs performed at each level are listed below. Please be aware that the descriptions are only examples, and each tool repair will be different. Follow the price matrix below and cross reference the tool needing repair with the possible level of required repair. Pricing level will be determined by the repair technician after evaluating the needs of the tool. Repairs will not exceed ADVANCED pricing for the applicable tool model.

PRICE MATRIX:

| | Basic | Intermediate | Advanced |
|---|--|---|--|
| | <i>Each tool is completely disassembled, thoroughly inspected, power cleaned, and the piston is dressed.</i> | | |
| Powder Tools | Typical repairs may include items such as a pawl, buffer or spring. | Typical repairs may include items such as a piston, or fastener guide. | Typical repairs may include items such as a barrel, or tool body. |
| <i>Viper, Cobra, R25, 721</i> | \$83 | \$117 | \$156 |
| <i>SA270, Rocket, XT540 All Disc Tools (D45, D45A, D60, AutoFast)</i> | \$89 | \$156 | \$201 |
| Gas Tools | Typical repairs may include items such as O-rings, piston rings, and an air filter. | Typical repairs may include all wear parts in addition to the actuator, piston, work contact element, or head switch. | Typical repairs may include all wear parts in addition to a sleeve assembly, nose piece, or fan motor. |
| <i>TF1100, TF1200, T3MAG, T3ss, GypFast, MINI T2, 150 Series</i> | \$122 | \$191 | \$272 |
| Pneumatic Tools | Typical repairs may include items such as roll pins, springs, and yoke tip. | Typical repairs may include all wear parts in addition to the gate or valve assembly. | Typical repairs may include all wear parts in addition to a piston assembly, safety yoke assembly, or nose assembly. |
| <i>GypFast Air, GypFast AIR HD</i> | \$122 | \$191 | \$272 |

SHIPPING: All pricing includes return shipping via UPS ground. Shipping can be upgraded at the customer's expense.

ESTIMATES: : Tool repair estimates are not provided unless specifically requested by the party sending the tool in for repair. If the estimate is approved there will be a \$25.00 per tool estimate fee in addition to the cost of repair. If the estimate is not approved, the tool will be returned UNASSEMBLED and a \$50.00 per tool estimate fee will be charged. If Ramset provides an estimate and receives no reply after 30 days, the tool will be returned UNASSEMBLED and a \$50.00 per tool estimate fee will be charged.

DISTRIBUTOR PRICING: Authorized Ramset Distributors will still receive a discount off list pricing. For any questions please contact your Ramset sales representative.

RAMSET FACTORY REPAIR LOCATION:

Chicago Area

ITW Construction Service and Parts
 Ramset Tool Service
 13825 West Business Center Drive
 Unit A
 Lake Forest, IL 60045
 Phone: 800-222-6990
 e-mail: toolrepair@itwserviceparts.com

PART NO.

DESCRIPTION

GENERAL

| | |
|--------|------------------------------------|
| 401382 | SAFETY GLASSES |
| PATCK | UNIVERSAL POWDER TOOL CLEANING KIT |
| 300064 | PLASTIC POWDER ACTUATED TOOL BOX |

VIPER POLE

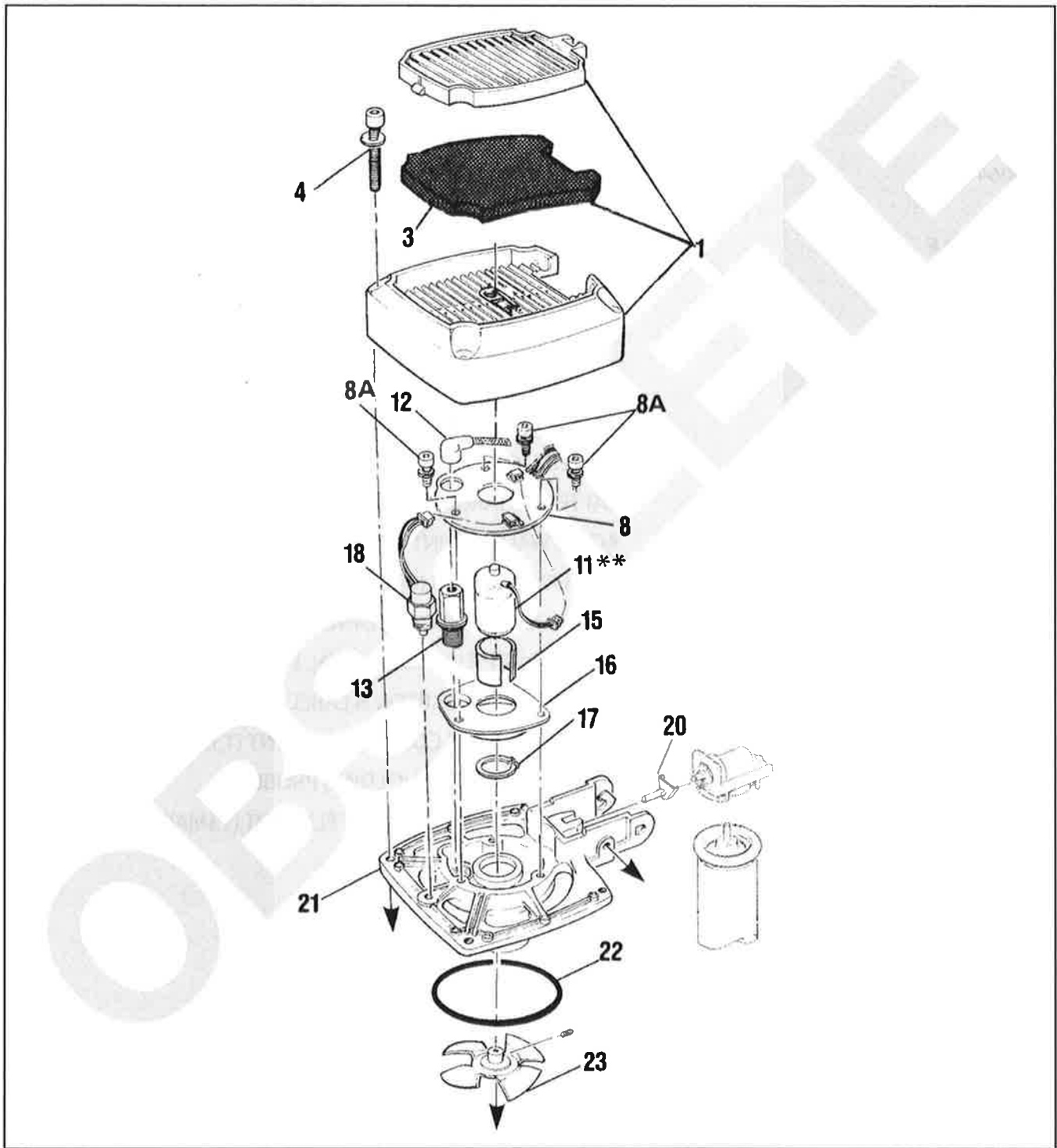
| | |
|-------|---|
| 2VP41 | CONNECTOR FOR TELESCOPING TVPOL POLE TOOL |
|-------|---|

GAS

| | |
|----------|---|
| 7505012 | BATTERY (TF1100) |
| B0092 | BATTERY (T3 TOOLS) AND TF1200 / G2 TOOLS |
| 405176 | BATTERY (GYPFASSTOOLS) |
| 900200 | BATTERY CHARGER (E/M/T/R150 & T2) |
| B0021 | AC/DC WALL MOUNT PLUG ADAPTER (FOR B0022 CHARGER) |
| B0022 | BATTERY CHARGER (NEW STYLE) WITH WALL MOUNT PLUG |
| B0237 | T3MAG METAL DISC HOLDING PROBE (OLD NOSE) |
| 100018 | TF1100 ONE PIECE NOSE METAL DISC HOLDING PROBE |
| 7505117A | CARRY CASE W/ CARTON & LABEL |
| M150200 | MAGNETIC WORK CONTACT ELEMENT (T3ss/R150) |
| 100041LA | TF1200 METAL DISC HOLDING PROBE |
| 906001 | MAGNETIC WORK CONTACT ELEMENT (T3MAG) |

ORDER BY FAX OR EMAIL

f: 800-529-8680 e: spcustomer.service@itwserviceparts.com



ORDER BY FAX OR EMAIL

f: 800-529-8680 e: spcustomer.service@itwserviceparts.com

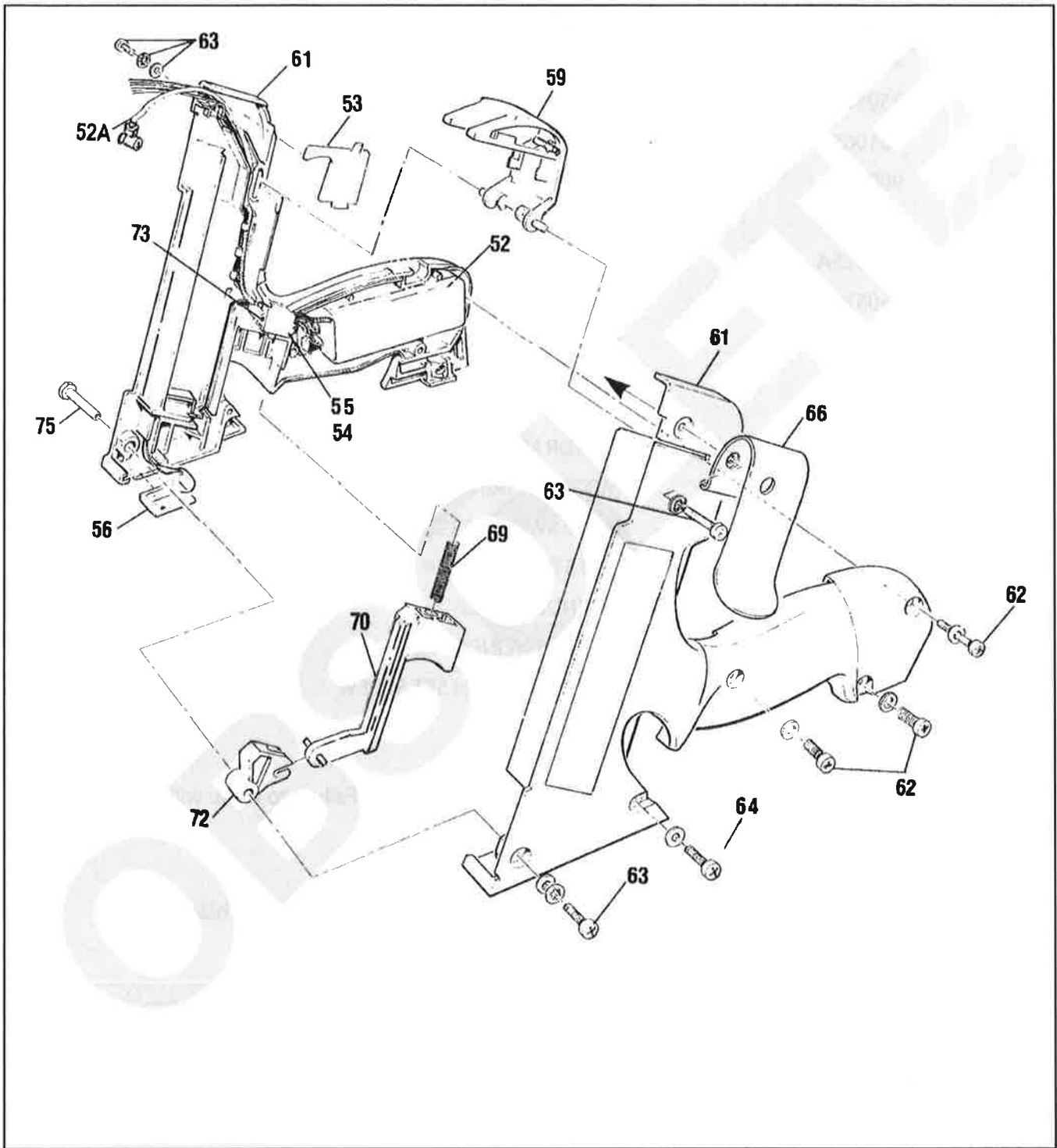
| KEY | PART NO. | DESCRIPTION |
|------------|-----------------|---|
| 1 | 401365 | CAP, GRILL & FILTER ASSEMBLY |
| 3 | 7505018 | FOAM FILTER ONLY |
| 4 | 901065A | SCREW KIT PKG. OF 4 |
| 8 | 900271 | P.C. BOARD ASSY. |
| 8A | 7405090 | P.C. BOARD SCREW (PKG. OF 3) |
| 11 | 900525A | FAN MOTOR KIT** |
| 12 | 7505166 | SPARK WIRE & BOOT ONLY |
| 13 | 7505164 | BLACK SPARK PLUG (WITH O RING) FOR TOOLS AFTER SN# 398090144 |
| 15 | 401356 | MOTOR SLEEVE |
| 16 | 900470 | MOTOR MOUNT |
| 17 | 401355 | MOTOR RETAINING RING |
| 18 | 404601 | HEAD SWITCH ASSEMBLY |
| 20 | 401340 | RED STEM ADAPTER |
| 21 | 401336 | CYLINDER HEAD |
| 22 | 403992 | O-RING (CYLINDER HEAD) |
| 23 | 403167 | FAN BLADE WITH SET SCREW |

NOTE: It is important to use all kit parts when replacing the fan motor. Failure to do so will greatly reduce the life of the motor.

** Fan Motor Kit includes: fan motor, motor mount, motor sleeve, snap ring and fan blade.

ORDER BY FAX OR EMAIL

f: 800-529-8680 e: spcustomer.service@itwserviceparts.com



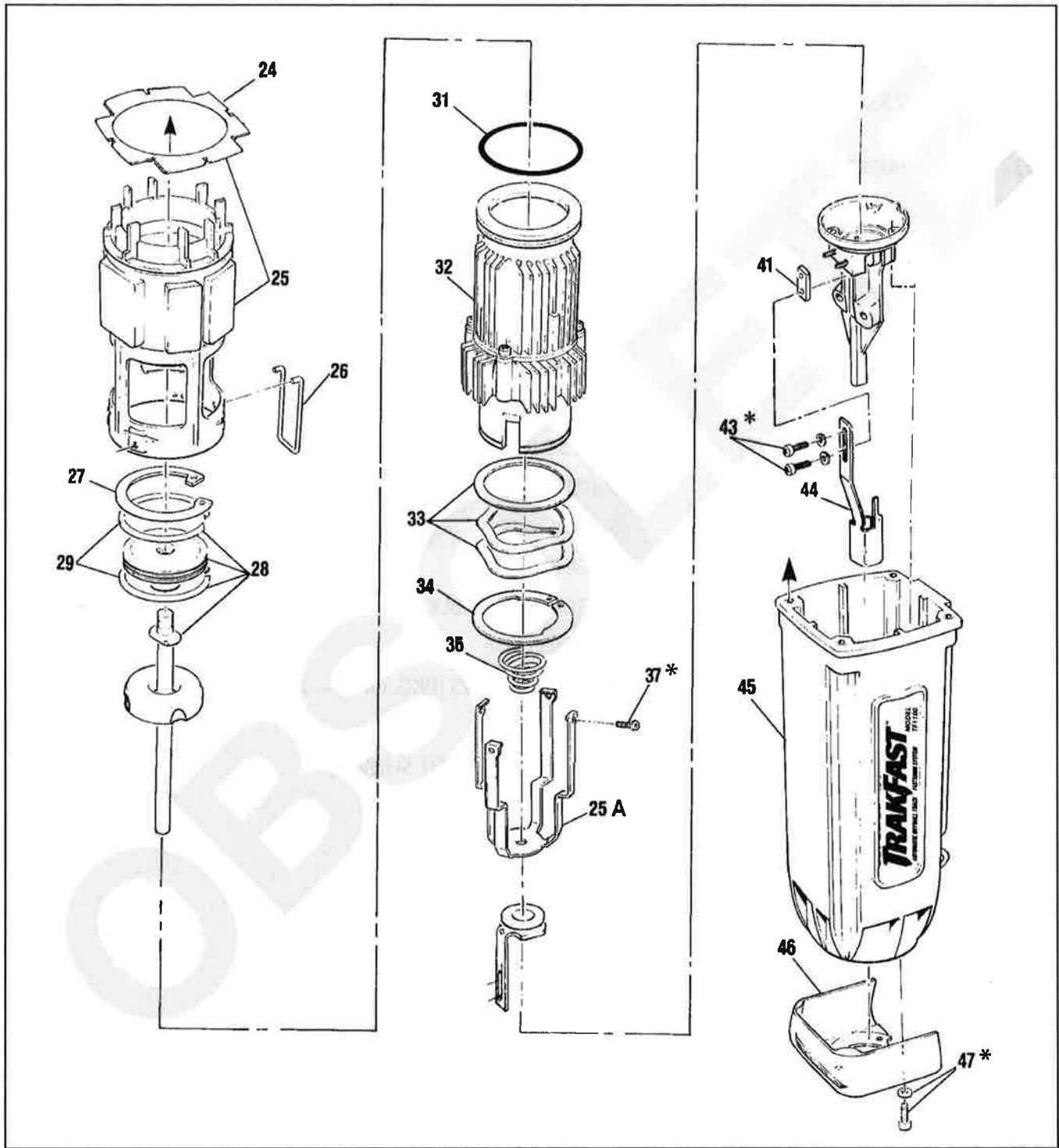
ORDER BY FAX OR EMAIL

f: 800-529-8680 e: spcustomer.service@itwserviceparts.com

| KEY | PART NO. | DESCRIPTION |
|-----|----------|---|
| 52 | 7405163 | SPARK UNIT |
| 52A | 7505166 | RED WIRE & BOOT ONLY TOOLS AFTER SERIAL NO.398091440 |
| 53 | 900012 | WIRE COVER PLATE |
| 54 | 404619 | INSULATOR (UNDER TRIGGER SWITCH) |
| 55 | 404490 | TRIGGER SWITCH |
| 56 | 403999 | HANDLE CONTACT BOARD |
| 59 | 401400A | ACTUATOR ASSEMBLY |
| 61 | 7405148 | LEFT & RIGHT SIDE HANDLE HALVES |
| 62 | 7405067 | SCREWS & WASHERS (PKG OF 3) – 6-32 x 1" W/WASHER |
| 63 | 219423 | CAM SCREW – 10-32 x 9/16" W/WASHER |
| 64 | 401406 | SCREW – 6-32 x 1-1/2" W/WASHER |
| 66 | 401495 | BELT HOOK |
| 69 | 401395 | TRIGGER SPRING |
| 70 | 401394A | TRIGGER ASSEMBLY |
| 72 | 401396 | TRIGGER CAM |
| 73 | 7405091 | TRIGGER SCREWS (PKG. OF 2) – 2-32 x 5/8" |
| 75 | 401397 | CAM BUSHING |
| — | 401450 | FUEL CELL PAD (NOT SHOWN) |
| — | 7505021 | DANGER LABEL |
| — | 7505025 | WARNING LABEL |

ORDER BY FAX OR EMAIL

f: 800-529-8680 e: spcustomer.service@itwserviceparts.com



ORDER BY FAX OR EMAIL

f: 800-529-8680 e: spcustomer.service@itwserviceparts.com

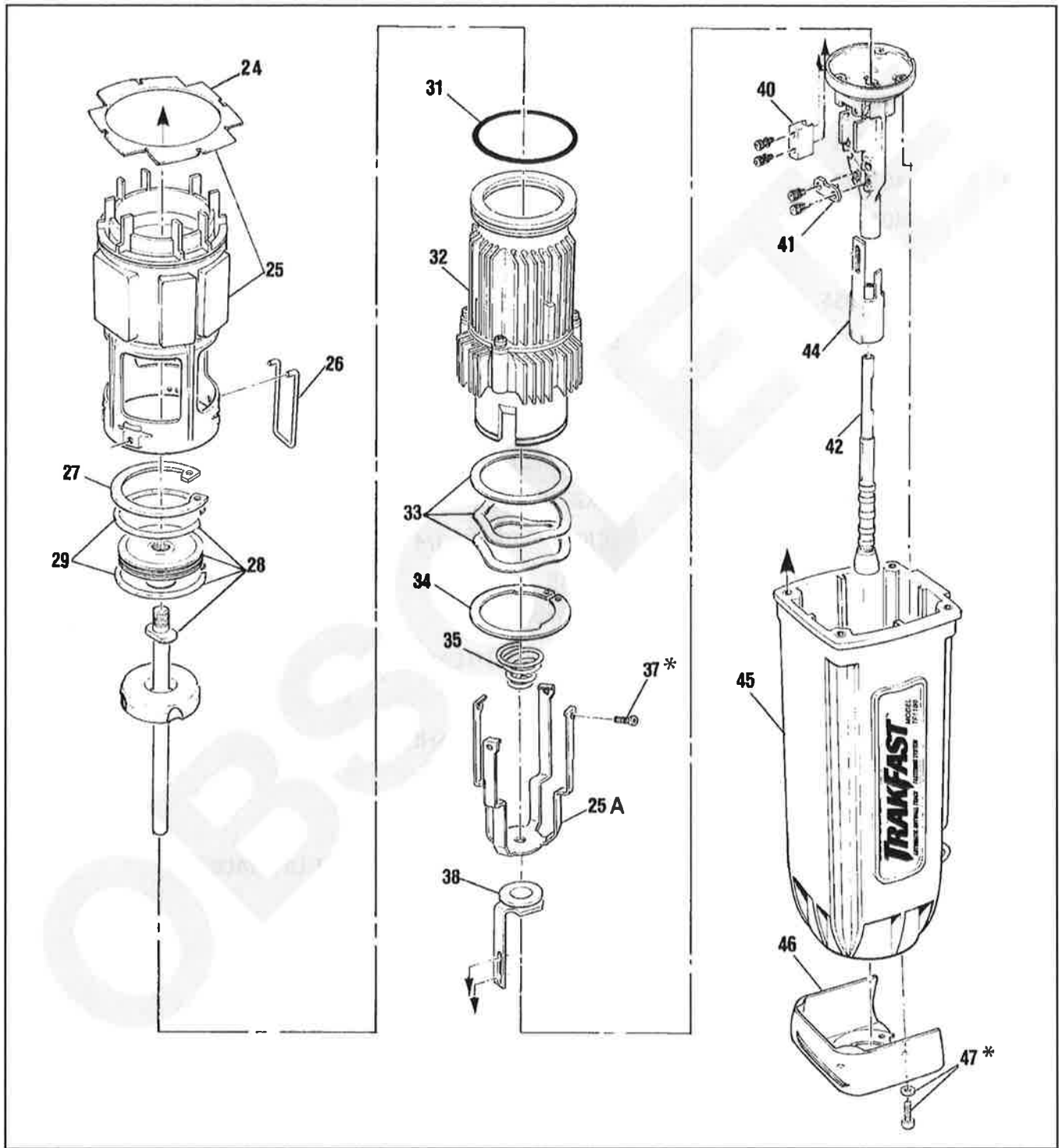
| KEY | PART NO. | DESCRIPTION |
|------------|-----------------|------------------------------------|
| 24 | 401313 | AIR DAM |
| 25 | 7405171 | COMBUSTION CHAMBER |
| 25A | 900234 | CAGE |
| 26 | 401330 | CHAMBER LOCKOUT BAR |
| 27 | 401328 | PISTON STOP RETAINING RING |
| 28 | 7502000 | PISTON ASSEMBLY (WITH PISTON RING) |
| 29 | 7405055 | PISTON RINGS (PKG. OF 2) |
| 31 | 404482 | O-RING (SLEEVE & MID CHECK) |
| 32 | 403083 | SLEEVE & MID CHECK ASSEMBLY |
| 33 | 7405056 | SEAL (1) WAVE WASHERS (2) |
| 34 | 401322 | MID-CHECK RETAINING RING |
| 35 | 401488 | CAGE SPRING |
| 37 | 092769 | SCREW – 10-32 x 1/4" |
| 41 | 401380 | TIE BAR |
| 44 | 801116 | LOWER PROBE |
| 45 | 7505148 | HOUSING WITH LABELS |
| 46 | 7505013 | DUST SHIELD |
| 47 | 7405060 | CAP SCREW & WASHER |

* SCREW- USE LOCTITE 242 (BLUE)

NOTE: TO SERVICE NOSE PIECE USE PART NUMBER 100036 ONE PIECE NOSE UPGRADE KIT.

ORDER BY FAX OR EMAIL

f: 800-529-8680 e: spcustomer.service@itwserviceparts.com



ORDER BY FAX OR EMAIL

f: 800-529-8680 e: spcustomer.service@itwserviceparts.com

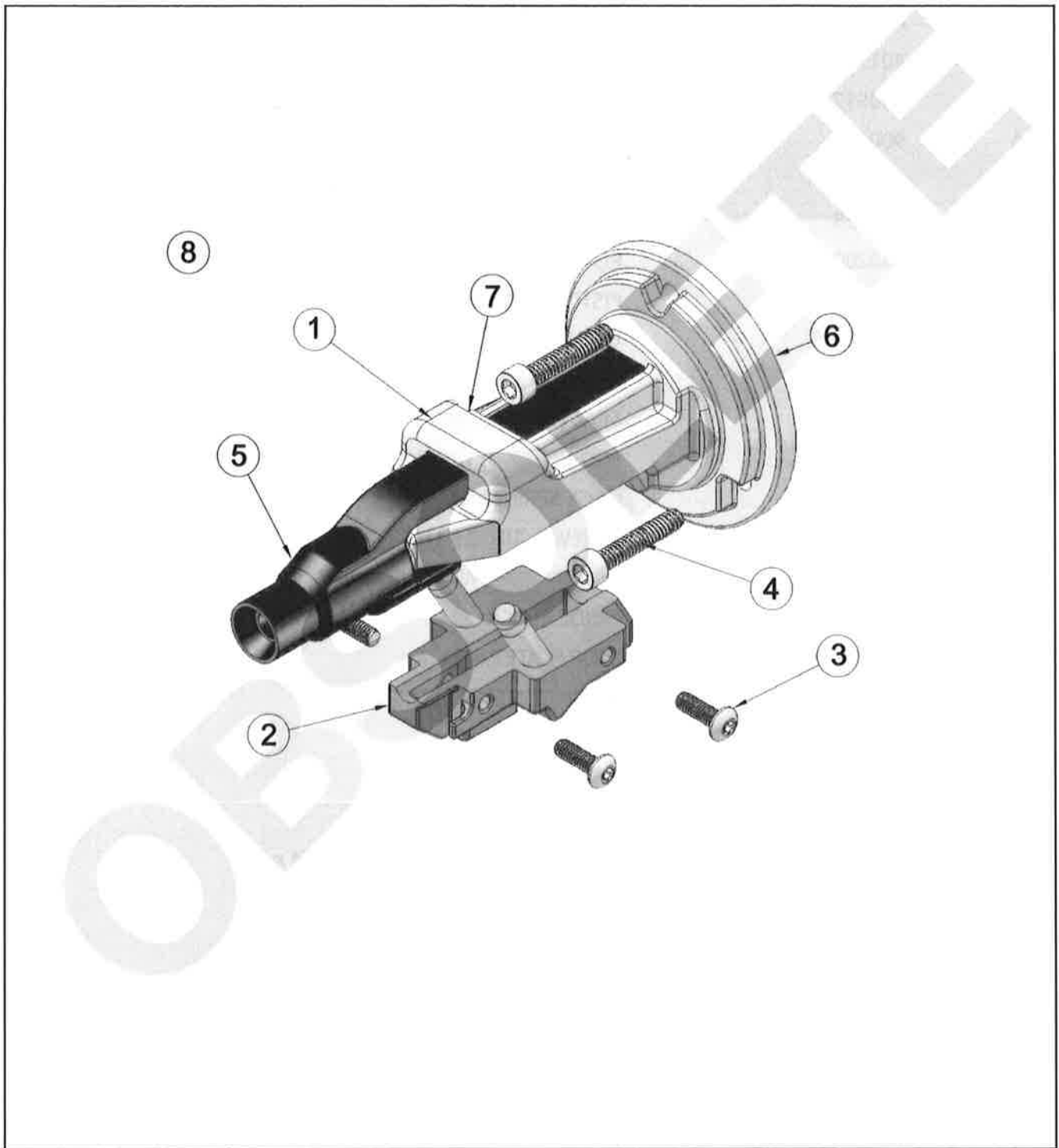
| KEY | PART NO. | DESCRIPTION |
|-----|----------|------------------------------------|
| 24 | 401313 | AIR DAM |
| 25 | 7405171 | COMBUSTION CHAMBER (WITH AIR DAM) |
| 25A | 900234 | CAGE |
| 26 | 401330 | CHAMBER LOCKOUT BAR |
| 27 | 401328 | PISTON STOP RETAINING RING |
| 28 | 7502000 | PISTON ASSEMBLY (WITH PISTON RING) |
| 29 | 7405055 | PISTON RINGS (PKG. OF 2) |
| 31 | 404482 | O-RING (SLEEVE & MID CHECK) |
| 32 | 403083 | SLEEVE & MID CHECK ASSEMBLY |
| 33 | 7405056 | SEAL (1) WAVE WASHERS (2) |
| 34 | 401322 | MID-CHECK RETAINING RING |
| 35 | 401488 | CAGE SPRING |
| 37 | 092769 | SCREW – 10-32 x 1/4" |
| 38 | 801132 | UPPER PROBE WITH GROMMET |
| 40 | 801131 | GUIDE BLOCK |
| 41 | 801127 | STOP PLATE |
| 42 | 801129 | WORK CONTACT ELEMENT |
| 44 | 801128 | LOCKOUT PROBE |
| 45 | 7505148 | HOUSING WITH LABELS |
| 46 | 7505013 | DUST SHIELD |
| 47 | 7405060 | CAP SCREWS & WASHERS – 10-24 x 1" |

SCREWS-USE LOCTITE 242 (BLUE)

NOTE: TO SERVICE NOSE PIECE USE PART NUMBER 100036 ONE PIECE NOSE UPGRADE KIT.

ORDER BY FAX OR EMAIL

f: 800-529-8680 e: spcustomer.service@itwserviceparts.com



ORDER BY FAX OR EMAIL

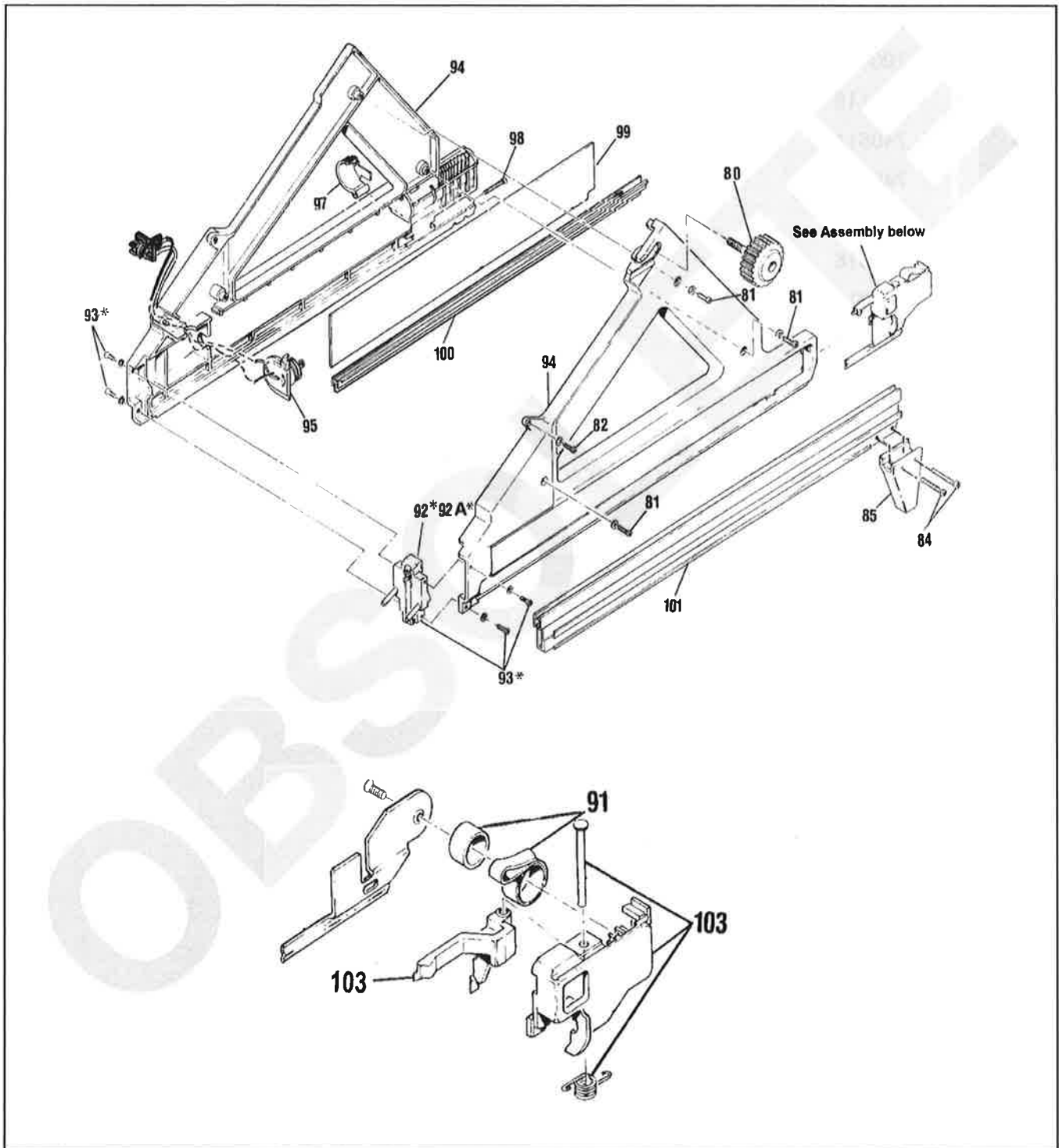
f: 800-529-8680 e: spcustomer.service@itwserviceparts.com

| KEY | PART NO. | DESCRIPTION |
|------------|-----------------|-----------------------------------|
| 1 | 100019 | ACTUATOR/NOSE ASSEMBLY |
| 2 | 801118 | SHEAR BLOCK |
| 3 | 7405147 | SHEAR BLOCK SCREWS – 8-32 x 1/2" |
| 4 | 7405060 | CAP SCREWS & WASHERS – 10-24 x 1" |
| 5 | 100013 | ACTUATOR/PIN GUIDE |
| 5A | 100018 | ACTUATOR, MAGNETIC (NOT SHOWN) |
| 6 | 100016 | ONE PIECE NOSE |
| 7 | 100014 | SCREW 6-32 (NOT SHOWN) |
| 8 | 100036 | ONE PIECE NOSE UPGRADE KIT |

OBSOLETE

ORDER BY FAX OR EMAIL

f: 800-529-8680 e: spcustomer.service@itwserviceparts.com



ORDER BY FAX OR EMAIL

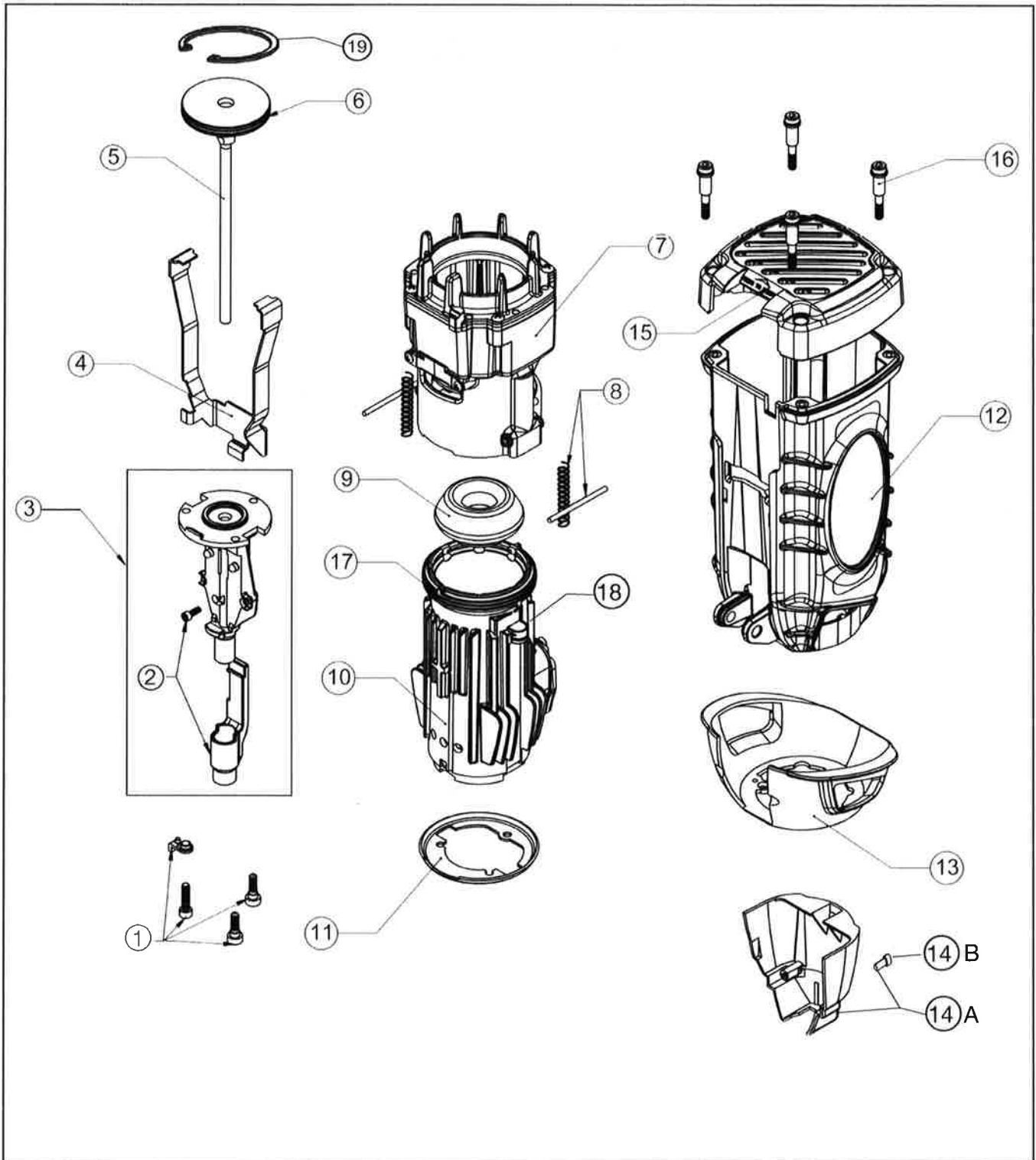
f: 800-529-8680 e: spcustomer.service@itwserviceparts.com

| KEY | PART NO. | DESCRIPTION |
|-----|----------|---|
| 80 | 801124 | KNOB ASSEMBLY |
| 81 | 7405070 | SCREWS AND WASHERS |
| 82 | 7405071 | SCREWS AND WASHERS |
| 84 | 7405146 | FOOT SCREWS |
| 85 | 801113 | MAGAZINE FOOT |
| 91 | 7405169 | CONSTANT FORCE SPRING W/HUB |
| 92 | 801118 | SHEAR BLOCK (FOR ORIGINAL NOSEPIECE) |
| 93 | 7405147 | SHEAR BLOCK SCREWS & WASHER ONLY – 8-32 x 1/2" (FITS BOTH TYPES OF SHEAR BLOCKS) |
| 94 | 7405149 | LEFT & RIGHT MAGAZINE HALVES (WITH BATTERY CLIP) |
| 95 | 7505017 | BATTERY CONTACT ASSEMBLY |
| 97 | 401422 | BATTERY CLIP |
| 98 | 401423 | BATTERY CLIP SCREW |
| 99 | 7506006 | COVER PLATE |
| 100 | 801112 | UPPER RAIL |
| 101 | 801110 | LOWER RAIL |
| 103 | 7405168 | CARRIER/FOLLOWER ASSEMBLY |
| — | 7405177 | FOLLOWER/LOCKOUT ASSEMBLY COMPLETE |
| — | 7505022 | SEQUENCE LABEL |

SCREWS-USE LOCTITE 242 (BLUE)

ORDER BY FAX OR EMAIL

f: 800-529-8680 e: spcustomer.service@itwserviceparts.com



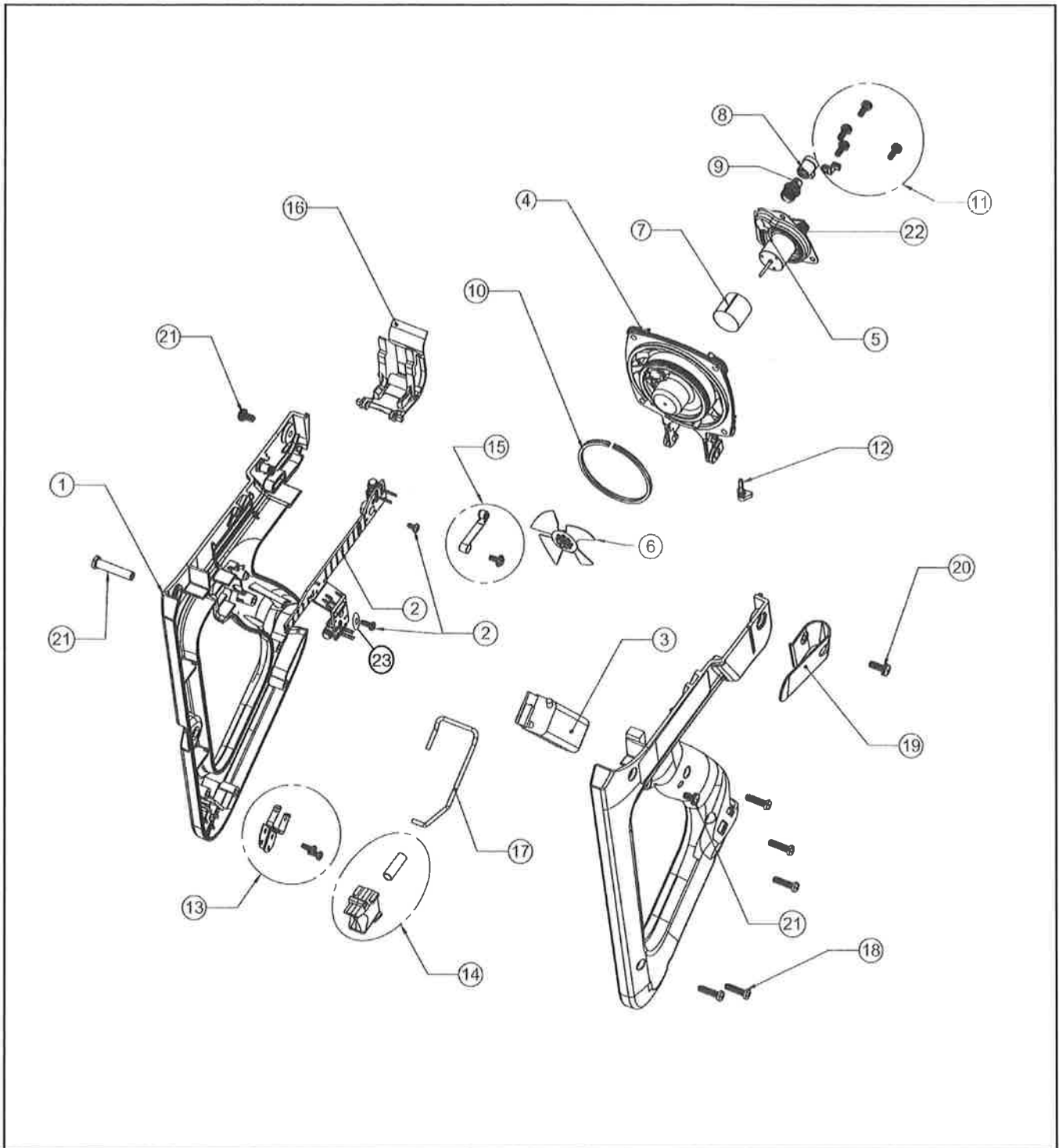
ORDER BY FAX OR EMAIL

f: 800-529-8680 e: spcustomer.service@itwserviceparts.com

| KEY | PART NO. | DESCRIPTION |
|------------|-----------------|---|
| 1 | 100098A | FLANGE SCREWS AND LOCKOUT BRACKET SUPPORT |
| 2 | 100041A | ACTUATOR ASSEMBLY |
| 2A | 100041LA | MAGNETIC LATH ADAPTER (NOT SHOWN) |
| 3 | 905520A | PIN GUIDE SUPPORT (WITH ACTUATOR) |
| 3A | 905520 | PIN GUIDE SUPPORT |
| 4 | 100048 | CAGE |
| 5 | 100050 | PISTON ASSEMBLY |
| 6 | 7405055 | PISTON RING (PKG 2) |
| 7 | 902233 | COMBUSTION CHAMBER ASSEMBLY |
| 8 | 408827A | COMBUSTION CHAMBER / PIN AND SPRING (PKG 2) |
| 9 | 404419 | BUMPER |
| 10 | 100178A | SLEEVE ASSEMBLY (WITHOUT BUMPER) WITH STEEL RINGS AND MUFFLER ASSEMBLY |
| 11 | 100158 | HOUSING RING |
| 12 | 100053 | HOUSING ASSEMBLY |
| 13 | 100045 | SHROUD |
| 14A | 905521A | REV 2 NOSE COVER (WITH SCREW) |
| 14B | 905518 | REV2 SCREW, NOSE COVER 8-32 |
| 15 | 100266 | CAP ASSEMBLY |
| 16 | 901063A | CAP SCREWS (4) |
| 17 | 900934A | STEEL RING, SLEEVE (2) |
| 18 | 404464 | RUBBER STOP, CAGE (2) |
| 19 | 401328 | PISTON RETAINING RING |

ORDER BY FAX OR EMAIL

f: 800-529-8680 e: spcustomer.service@itwserviceparts.com



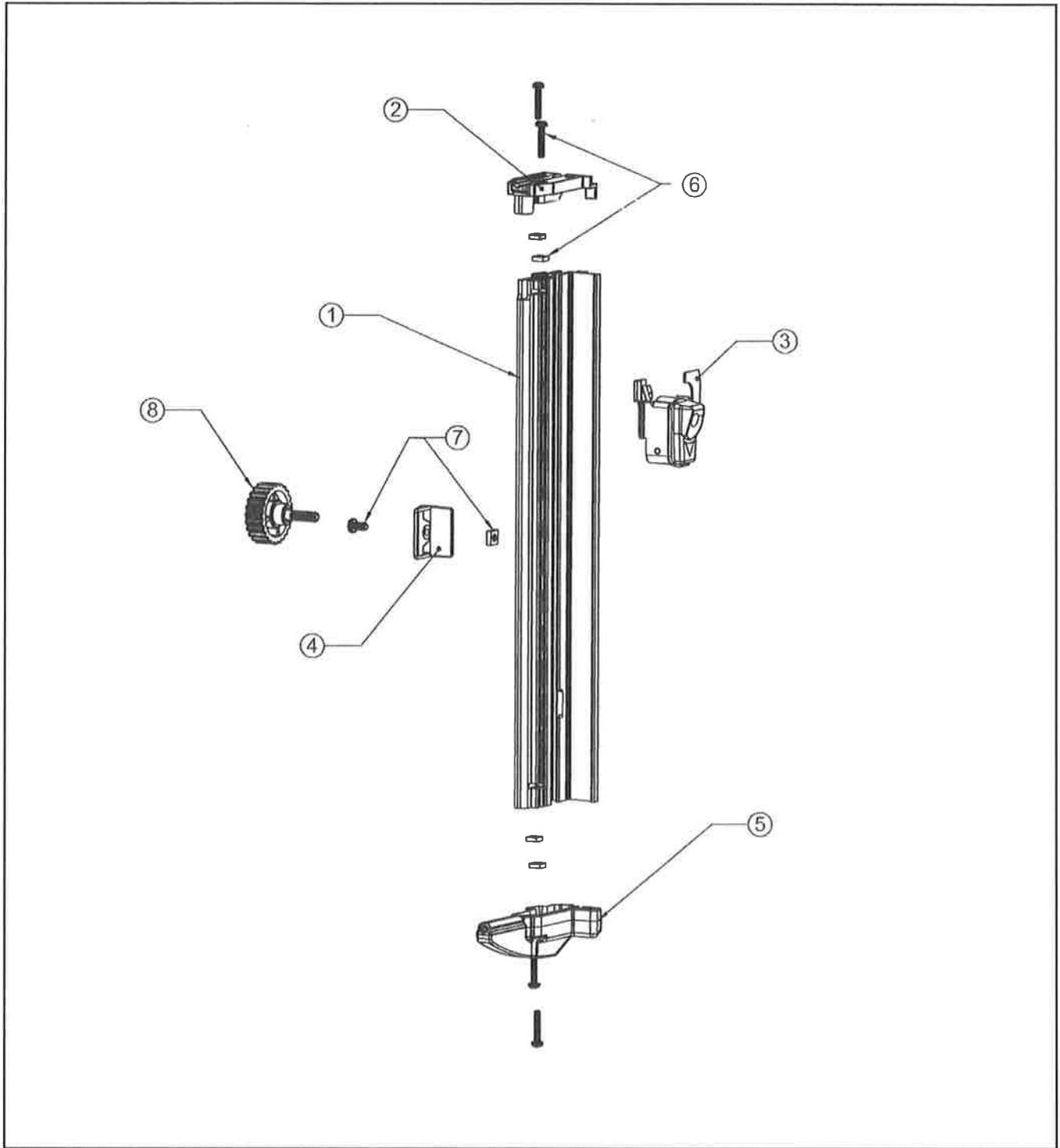
ORDER BY FAX OR EMAIL

f: 800-529-8680 e: spcustomer.service@itwserviceparts.com

| KEY | PART NO. | DESCRIPTION |
|------------|-----------------|---|
| 1 | 100056A | RIGHT AND LEFT HANDLE HALF |
| 2 | 100059A | MOLDED CIRCUIT BOARD W/MOUNTING SCREWS |
| 3 | 900474 | MSU |
| 4 | 100058 | CYLINDER HEAD |
| 5 | 901430 | MOTOR ASSEMBLY, FAN |
| 6 | 403167 | FAN BLADE ASSEMBLY |
| 7 | 401356 | MOTOR SLEEVE |
| 8 | 100157 | HIGH VOLTAGE WIRE ASSEMBLY |
| 9 | 7505164 | SPARK PLUG ASSEMBLY |
| 10 | 900935A | CYLINDER HEAD STEEL RINGS (PKG OF 2) |
| 11 | 900596A | CYLINDER HEAD SCREWS AND WIRE BRACKET |
| 12 | 401340 | RED STEM ADAPTOR |
| 13 | 100095A | BATTERY CONTACTS AND SCREWS |
| 14 | 404435A | TRIGGER AND SPRING |
| 15 | 100184A | LEVER ASSEMBLY AND SCREW |
| 16 | 900966 | ACTUATOR ASSEMBLY |
| 17 | 100097 | CHAMBER LOCKOUT BAR |
| 18 | B0100A | HANDLE SCREWS |
| 19 | 401495 | BELT HOOK |
| 20 | 401407 | CYLINDER HEAD/BELT HOOK SCREW |
| 21 | 100060A | HANDLE TO HOUSING BUSHING AND TWO SCREWS – 10-32 x 3.8" |
| 22 | 901422 | PC BOARD ASSY, TF1200 (MUST USE WITH 901430 FAN MOTOR) |
| 23 | 906005 | NYLON FLAT WASHER |
| — | 7505025 | WARNING LABEL |
| — | 7505022 | SEQUENCE LABEL |
| — | 7505021 | DANGER LABEL |

ORDER BY FAX OR EMAIL

f: 800-529-8680 e: spcustomer.service@itwserviceparts.com



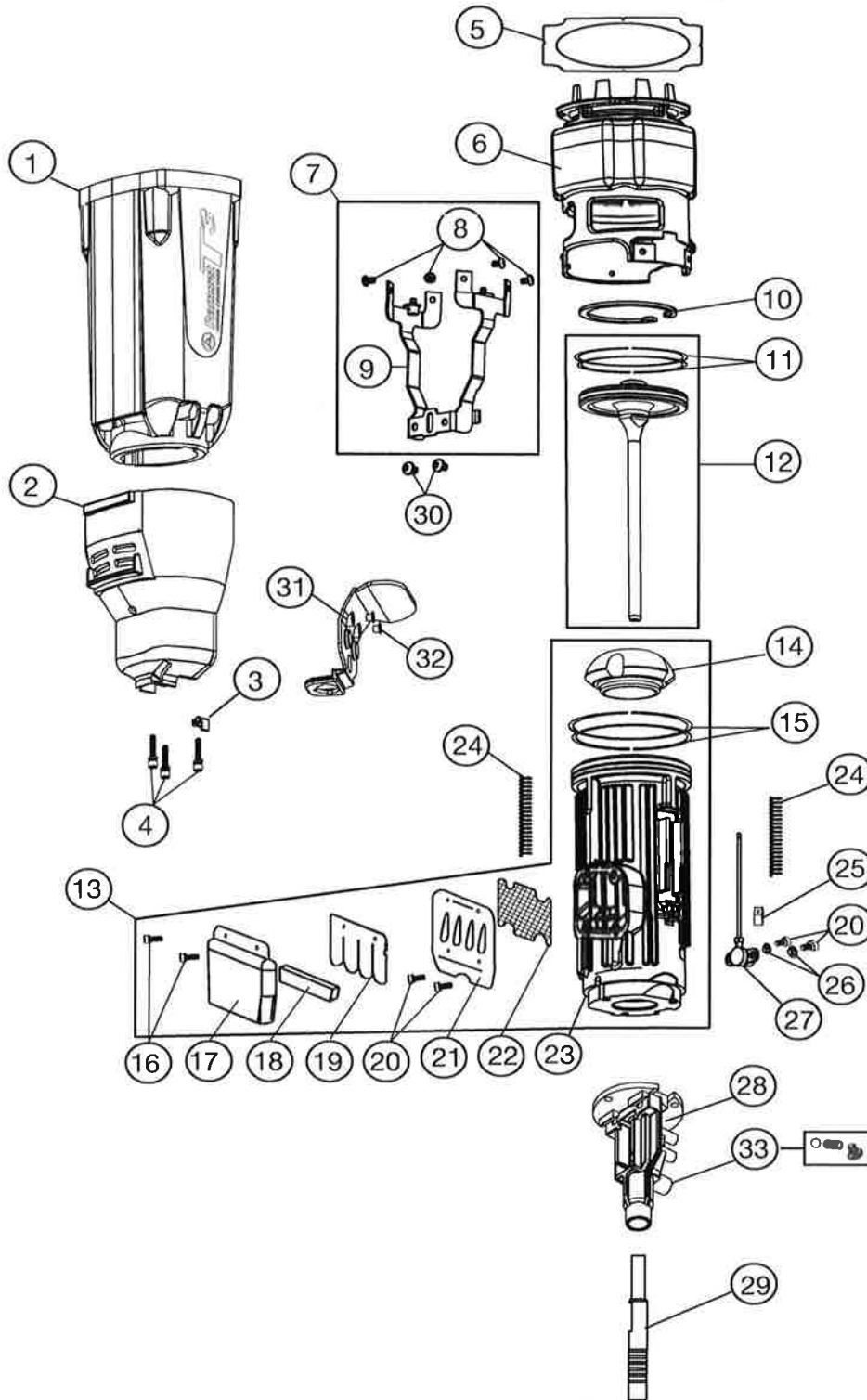
ORDER BY FAX OR EMAIL

f: 800-529-8680 e: spcustomer.service@itwserviceparts.com

| KEY | PART NO. | DESCRIPTION |
|------------|-----------------|---|
| 1 | 100043 | RAIL |
| 2 | 100042 | SHEAR BLOCK |
| 3 | 100062 | FOLLOWER ASSEMBLY, COMPLETE |
| 4 | 100067 | RAIL TO HANDLE BRACKET |
| 5 | 100066A | FOOT |
| 6 | 100064A | SHEAR BLOCK / FOOT SCREW AND NUT (4 EA) |
| 7 | 100100A | BRACKET SCREW AND NUT (1 EA) |
| 8 | 801124 | KNOB ASSEMBLY |
| — | 100264 | U-NUT |
| — | 905525 | CONSTANT FORCE SPRING W/HUB |

ORDER BY FAX OR EMAIL**f: 800-529-8680 e: spcustomer.service@itwserviceparts.com**

**T3SS NOSE & HOUSING
ASSEMBLY SCHEMATIC**



Drawings may vary slightly from actual product.

T3SS NOSE & HOUSING ASSEMBLY PARTS LIST

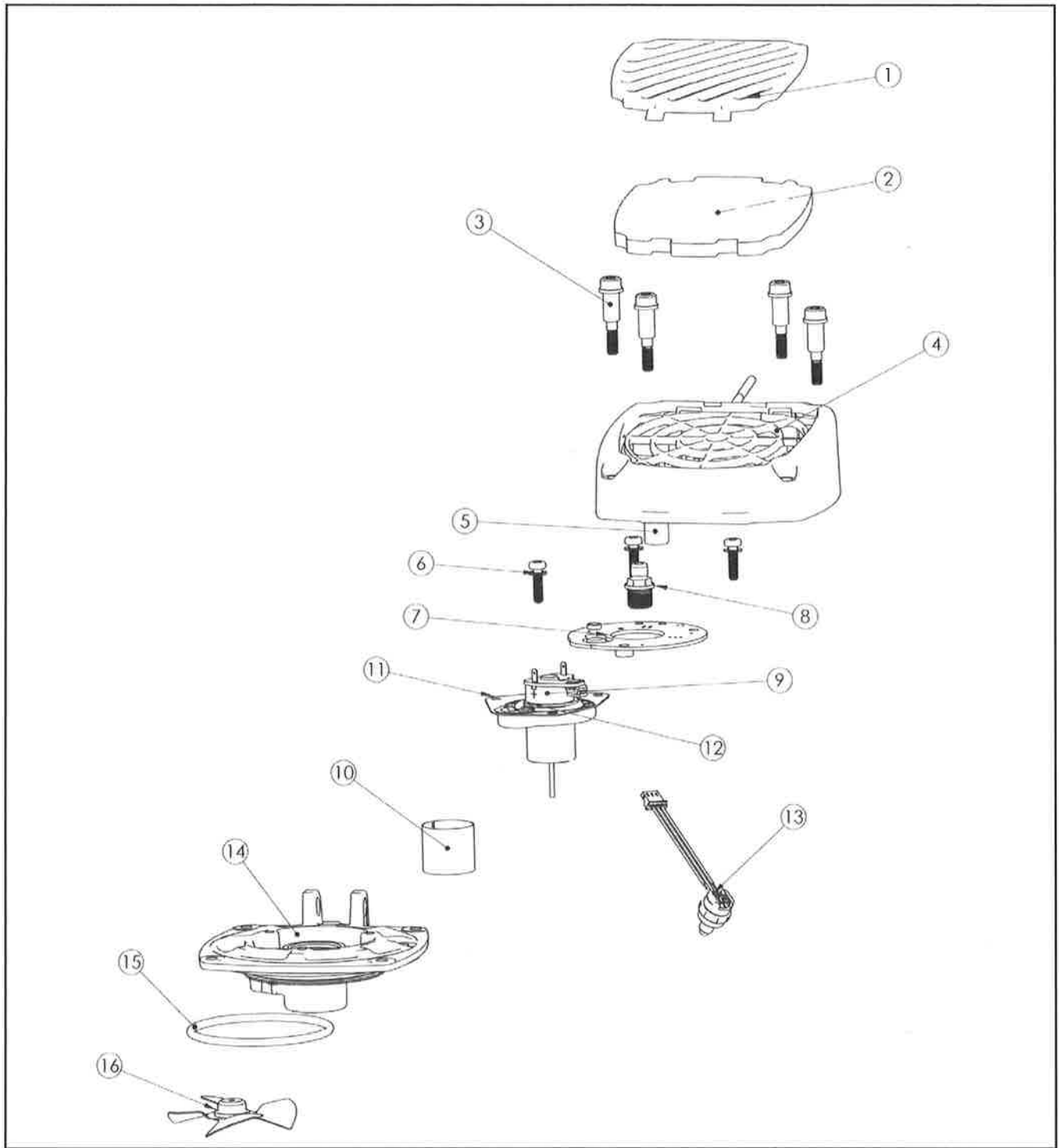
| KEY | PART NO. | QTY | DESCRIPTION |
|-----|----------|-----|--|
| 1 | B0001 | 1 | HOUSING, T3 |
| 2 | B0096 | 1 | SHROUD, T3 |
| 3 | B0105 | 1 | SECURITY STOP |
| 4 | B0238 | 3 | SCREW, HOUSING (3 Required – Sold Individually) (For tools built September 2010, S/N 141009001 and after with Flanged Nose) |
| 4A | B0059A | 3 | HOUSING SCREWS (PKG QTY 3) (For tools built August 2010, S/N 1410080120 and before with Pinned Nose) |
| 5 | B0097 | 1 | AIR DAM |
| 6 | B0178 | 1 | COMBUSTION CHAMBER, T3 |
| 7 | B0217A | 1 | CAGE ASSEMBLY WITH SCREWS, T3 |
| 8 | B0057 | 4 | SCREW, CAGE TO COMBUSTION CHAMBER (4 REQUIRED - SOLD INDIVIDUALLY) |
| 9 | B0217 | 1 | CAGE ASSEMBLY, T3 |
| 10 | B0068 | 1 | PISTON STOP RING |
| 11 | B0034A | 1 | PISTON RINGS (PKG QTY 2) |
| 12 | B0031A | 1 | PISTON ASSEMBLY (W/RINGS) |
| 13 | 906006 | 1 | SLEEVE ASSEMBLY, T3SS (Includes Sleeve, Seal Rings, Bumper, and Muffler Assy.) |
| 14 | B0053 | 1 | BUMPER |
| 15 | 100154A | 2 | STEEL RINGS, SLEEVE (PKG QTY 2) (For tools after February 2011, S/N: 1411020066) |
| 15A | B0042 | 1 | SLEEVE O-RING (For tools before February 2011, S/N: 1411020065) |
| 16 | 900596 | 2 | M4-10 EXHAUST SCREW |
| 17 | 404423 | 1 | MUFFLER COVER |
| 18 | 404422 | 1 | MUFFLER |
| 19 | 404424 | 1 | EXHAUST REED PLATE |
| 20 | 900595 | 4 | M4-8 EXHAUST/ FUEL CONNECTOR SCREW |
| 21 | 404425 | 1 | REED PLATE |
| 22 | 404426 | 1 | EXHAUST BAFFLE |
| 23 | B0052 | 1 | SLEEVE, MACHINED |
| 24 | B0037A | 2 | CAGE SPRINGS (PKG QTY 2) |
| 25 | B0048 | 1 | INJECTION TUBE BUMPER |
| 26 | B0023 | 2 | FUEL SLEEVE CONNECTOR BUSHING |
| 27 | B0054A | 1 | FUEL INJECTION TUBE ASSEMBLY |
| 28 | 906000 | 1 | PIN GUIDE SUPPORT, WELDED |
| 29 | E150100 | 1 | WORK CONTACT ELEMENT |
| 30 | B0226 | 2 | ACTUATOR PLATE SCREW |
| 31 | B0122 | 1 | ACTUATOR |
| 32 | B0111 | 1 | PIN GUIDE |
| 33 | B0218 | 1 | WCE RETENTION KIT (INCLUDES PAWL, SPRING AND SCREW) |

FOR T3IF TOOL

| | | |
|-----|------------|--------------------------------------|
| 12A | B0031IF-6A | PISTON ASSEMBLY W/RINGS, T3IF-6 TOOL |
| 29A | B0111IF-6 | PIN GUIDE, T3IF-6 TOOL |

ORDER BY FAX OR EMAIL

f: 800-529-8680 e: spcustomer.service@itwserviceparts.com



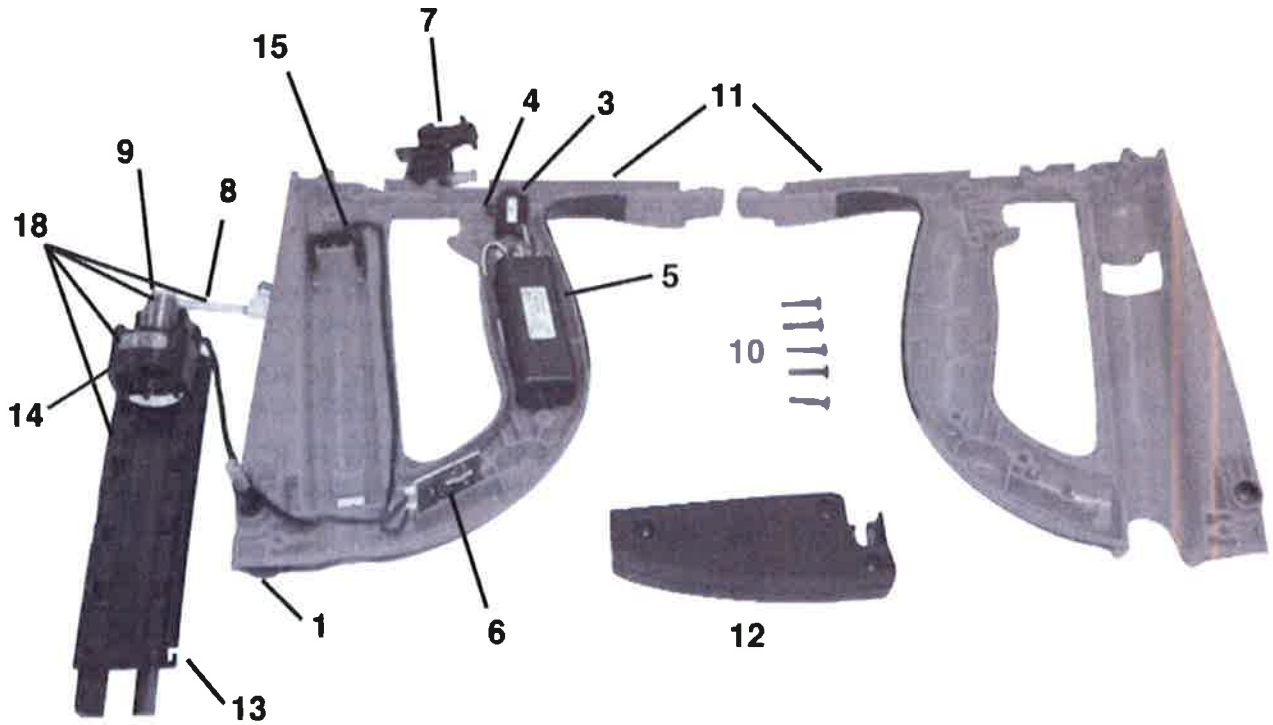
ORDER BY FAX OR EMAIL

f: 800-529-8680 e: spcustomer.service@itwserviceparts.com

| KEY | PART NO. | DESCRIPTION |
|------------|-----------------|---|
| 1 | B0017 | GRILL CAP, T3 |
| 2 | B0095 | FOAM FILTER, T3 |
| 3 | 901065A | CAP SCREWS (PKG QTY OF 4) |
| 4 | B0016 | CAP (GRILL & FILTER NOT INCLUDED) |
| 5 | 900478 | SPARK PLUG WIRE & BOOT |
| 6 | B0061A | SCREWS, PC BOARD (For T3MAG tools before July 2009, S/N: 1509070048 and w/ O-ring head) (For T3SS tools before July 2009, S/N: 1409070110 and w/ O-ring head) |
| 6 | 900902 | SELF THREADING SCREW, LONG, PC BOARD (1 Required – For tools built after July 2009 or with Steel Ring Head) |
| 6 | 100009 | SELF THREADING SCREW, SHORT, PC BOARD (2 Required – For tools built after July 2009 or with Steel Ring Head) |
| 7 | B0040 | PC BOARD |
| 8 | 7505164 | SPARK PLUG ASSEMBLY |
| 9 | 900525A | FAN MOTOR KIT (Includes: Fan, Motor Sleeve, Motor Mount, Retaining Ring & Fan Blade) |
| 9A | 905524 | FAN MOTOR AND MOUNT ASSM, T3IF |
| 10 | 401356 | MOTOR SLEEVE |
| 11 | 900470 | MOTOR MOUNT |
| 12 | 401355 | MOTOR RETAINING SNAP RING |
| 13 | 404601 | HEAD SWITCH |
| 14 | B0078 | CYLINDER HEAD (This replacement part uses Steel Rings) |
| 15 | 403992 | O-RING, CYLINDER HEAD (for tools using O-ring Cylinder Head) |
| 15 | 900935A | STEEL RINGS, CYLINDER HEAD (PKG QTY OF 2) (For tools built after March 2011 and/or using Steel Ring Cylinder Head) |
| 16 | 403167 | FAN BLADE |

ORDER BY FAX OR EMAIL

f: 800-529-8680 e: spcustomer.service@itwserviceparts.com



Photos may vary slightly from actual product.

ORDER BY FAX OR EMAIL

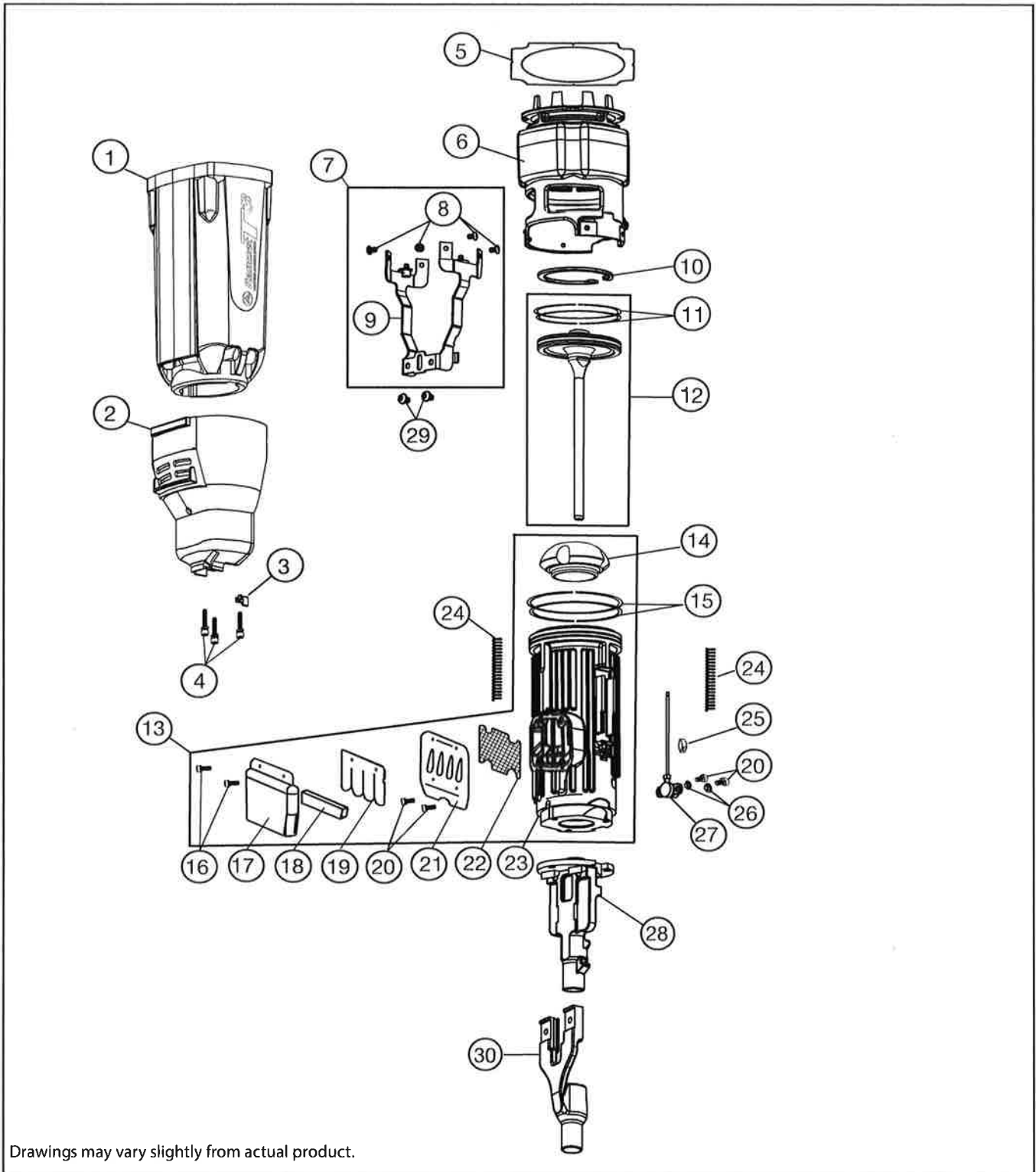
f: 800-529-8680 e: spcustomer.service@itwserviceparts.com

| KEY | PART NO. | DESCRIPTION |
|------------|-----------------|--|
| 1 | 333380 | KNOB ASSEMBLY, T3SS |
| 1A | B0227A | T3MAG EASY RELEASE KNOB KIT INCLUDES: KNOB CAP, KNOB BASE, KNOB SHAFT HARDWARE) |
| 2 | 404619 | INSULATOR (PLACED UNDER TRIGGER SWITCH) |
| 3 | 900824 | TRIGGER SWITCH (MUST BE USED WITH 905533 MEFI) |
| 4 | 7405091 | SCREWS #2 – 5/8 (PKG OF 2), TRIGGER SWITCH |
| 5 | 905533 | SPARK UNIT – MEFI, T3 |
| 6 | B0093 | EFI JUNCTION BOARD |
| 7 | B0006A | TRIGGER ASSEMBLY |
| 8 | B0050A | FUEL CONNECTOR ASSEMBLY |
| 9 | B0160 | FUEL VALVE |
| 10 | B0100A | HANDLE SCREWS (PKG. OF 5) |
| 11 | B0176 | LEFT & RIGHT SIDE HANDLE ASSEMBLY |
| 12 | B0144 | REAR FOOT ASSEMBLY (T3SS ONLY) |
| 13 | B0018 | FUEL SPACER PLATE |
| 14 | B0090A | FUEL CELL EJECT BUTTON & LATCH KIT |
| 15 | B0011 | BATTERY TERMINAL ASSEMBLY |
| 16 | B0210A | BELT HOOK KIT |
| 18 | B0160A | FUEL VALVE & SPACER PLATE ASSEMBLY |
| — | B0029 | HANDLE TO HOUSING BUSHING |
| — | B0030 | HEAD TO HANDLE BUSHING |
| — | B0058 | BUSHING SCREW, M5x10 |
| — | B0055 | RUBBER SPACER, FUEL CONNECTOR |
| — | 7505021 | DANGER LABEL |
| — | 7505025 | WARNING LABEL |

ORDER BY FAX OR EMAIL

f: 800-529-8680 e: spcustomer.service@itwserviceparts.com

**T3MAG NOSE & HOUSING
ASSEMBLY SCHEMATIC**



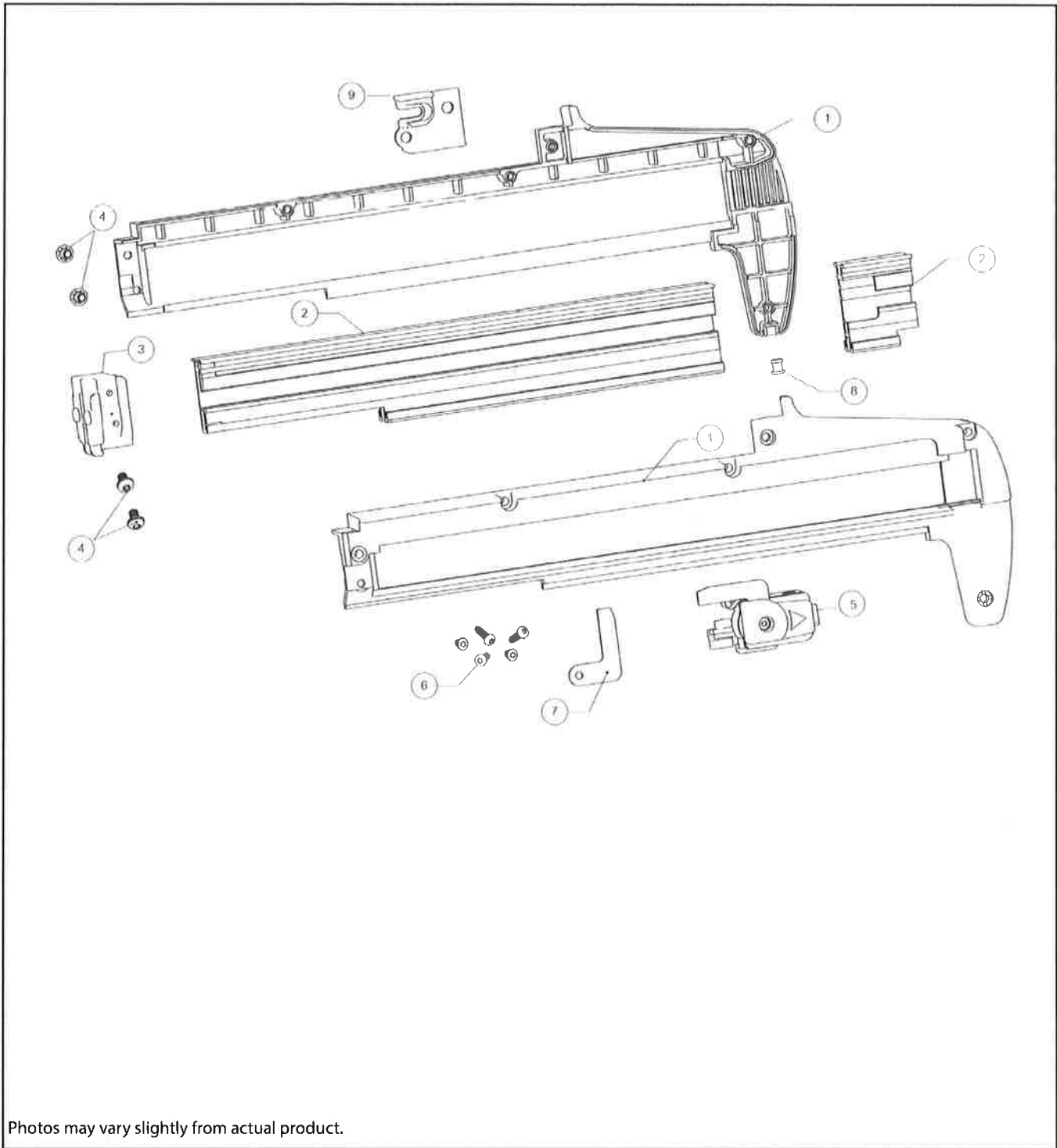
T3MAG NOSE & HOUSING ASSEMBLY PARTS LIST

| KEY | PART NO. | QTY | DESCRIPTION |
|-----|----------|-----|--|
| 1 | B0001 | 1 | HOUSING, T3 |
| 2 | B0199 | 1 | SHROUD, T3 MAG. |
| 3 | B0105 | 1 | SECURITY STOP |
| 4 | B0238 | 3 | SCREW, HOUSING (3 Required – Sold Individually) (For tools built September 2010, S/N 141009001 and after with Flanged Nose) |
| 4A | B0059A | 3 | HOUSING SCREWS (PKG QTY 3) (For tools built August 2010, S/N 1410080120 and before with Pinned Nose) |
| 5 | B0097 | 1 | AIR DAM |
| 6 | B0178 | 1 | COMBUSTION CHAMBER, T3 |
| 7 | B0217A | 1 | CAGE ASSEMBLY WITH SCREWS, |
| 8 | B0057 | 4 | SCREW, CAGE TO COMBUSTION CHAMBER (4 REQUIRED - SOLD INDIVIDUALLY) |
| 9 | B0217 | 1 | CAGE ASSEMBLY, T3 |
| 10 | B0068 | 1 | PISTON STOP RING |
| 11 | B0034A | 1 | PISTON RINGS (PKG QTY 2) |
| 12 | B0031A | 1 | PISTON ASSEMBLY (W/RINGS) |
| 13 | 906006 | 1 | SLEEVE ASSEMBLY, T3 MAG (Includes Sleeve, Seal Rings, Bumper, and Muffler Assy.) |
| 14 | B0053 | 1 | BUMPER |
| 15 | 100154A | 2 | STEEL RINGS, SLEEVE (PKG QTY 2) (For tools after February 2011, S/N: 1411020066) |
| 15A | B0042 | 1 | SLEEVE O-RING (For tools before February 2011, S/N: 1411020065) |
| 16 | 900596 | 2 | M4-10 EXHAUST SCREW |
| 17 | 404423 | 1 | MUFFLER COVER |
| 18 | 404422 | 1 | MUFFLER |
| 19 | 404424 | 1 | EXHAUST REED PLATE |
| 20 | 900595 | 4 | M4-8 EXHAUST/ FUEL CONNECTOR SCREW |
| 21 | 404425 | 1 | REED PLATE |
| 22 | 404426 | 1 | EXHAUST BAFFLE |
| 23 | B0052 | 1 | SLEEVE, MACHINED |
| 24 | B0037A | 2 | CAGE SPRINGS (PKG QTY 2) |
| 25 | B0048 | 1 | INJECTION TUBE BUMPER |
| 26 | B0023 | 2 | FUEL SLEEVE CONNECTOR BUSHING |
| 27 | B0054A | 1 | FUEL INJECTION TUBE ASSEMBLY |
| 28 | 905530A | 1 | PIN GUIDE SUPPORT, W/SCREWS B0238 |
| 29 | B0226 | 2 | ACTUATOR PLATE SCREW |
| 30 | 905531A | 1 | ACTUATOR W/SCREWS B0226 |
| — | 906000 | | T3MAG NOSE KIT (INCLUDES PIN GUIDE SUPPORT W/SCREWS, ACTUATOR W/SCREWS AND SHEAR BLOCK W/SCREWS) |

ORDER BY FAX OR EMAIL

f: 800-529-8680 e: spcustomer.service@itwserviceparts.com

T3 MAGAZINE ASSEMBLY SCHEMATIC



ORDER BY FAX OR EMAIL

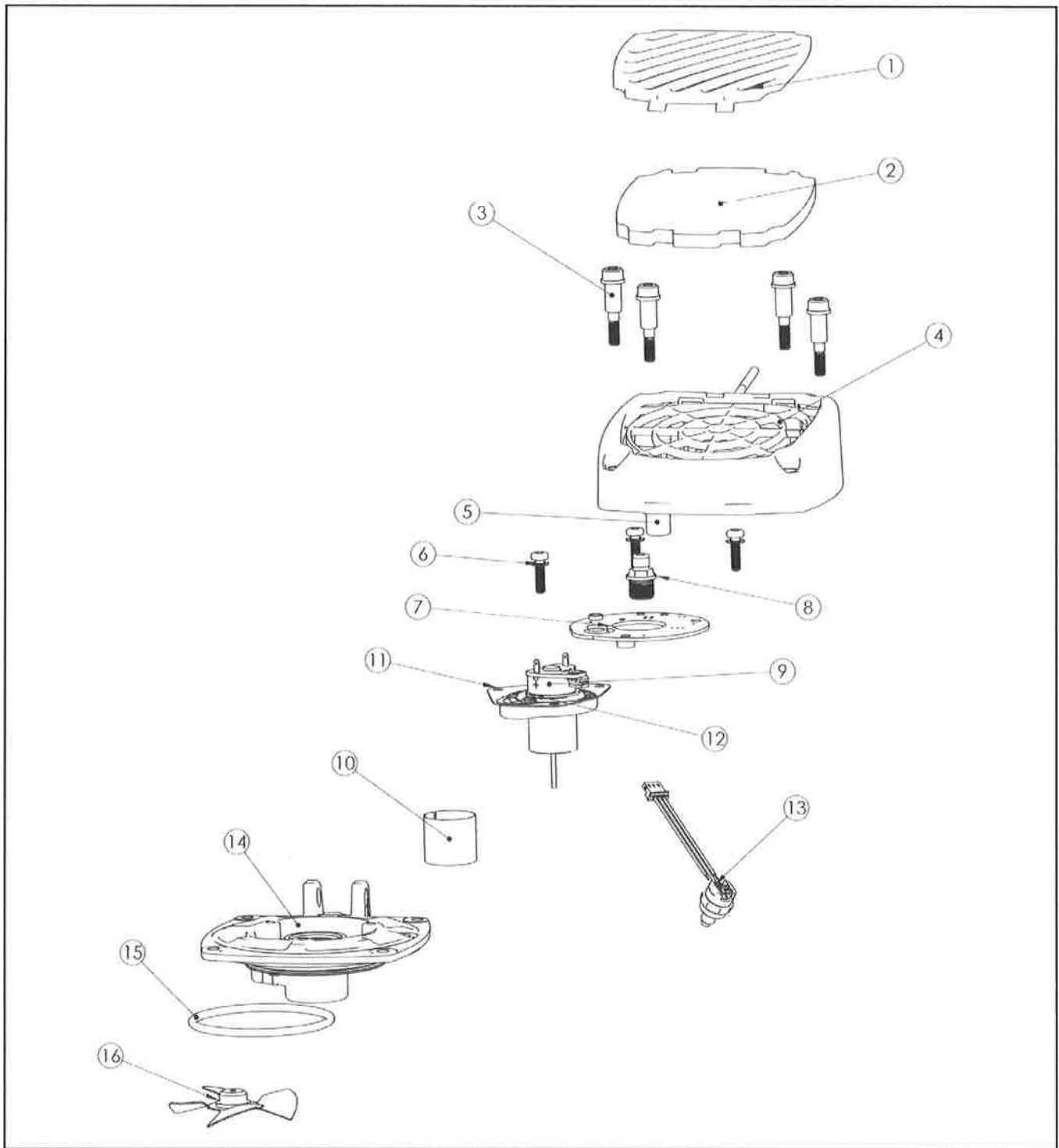
f: 800-529-8680 e: spcustomer.service@itwserviceparts.com

T3 MAGAZINE ASSEMBLY PARTS LIST

| KEY | PART NO. | DESCRIPTION |
|-----|----------|---|
| 1 | B0203 | MAGAZINE LEFT & RIGHT HALF |
| 2 | B0204 | FRONT & REAR RAILS |
| 3 | B0213A | SHEAR BLOCK & SCREW (OLD NOSE) |
| 3A | 905532A | SHEAR BLOCK & SCREW (NEW NOSE SERIAL # 1516110001 AND LATER) |
| 4 | B0206 | CONNECTION BLOCK/SHEAR BLOCK SCREWS (PKG QTY 4) M4 |
| 5 | B0207 | FOLLOWER ASSY. W/CONSTANT FORCE SPRING |
| 6 | B0208 | MAGAZINE SCREWS (PKG QTY 5) |
| 7 | B0147 | LOCKOUT BRACKET |
| 8 | B0102 | WEAR PAD, FOOT |
| 9 | B0215 | MAGAZINE LATCH BRACKET |
| — | B0234 | T3 EASY RELEASE MAGAZINE ASSEMBLY INCLUDES: MAGAZINE HALVES, SHEAR BLOCK KIT, FOLLOWER ASSEMBLY, FRONT RAIL, REAR RAIL, SCREWS, LATCH BRACKET |
| — | 905529 | CONSTANT FORCE SPRING W/HUB |
| — | 906004 | SERVICE, COMPLETE MAGAZINE ASSEMBLY |

ORDER BY FAX OR EMAIL

f: 800-529-8680 e: spcustomer.service@itwserviceparts.com



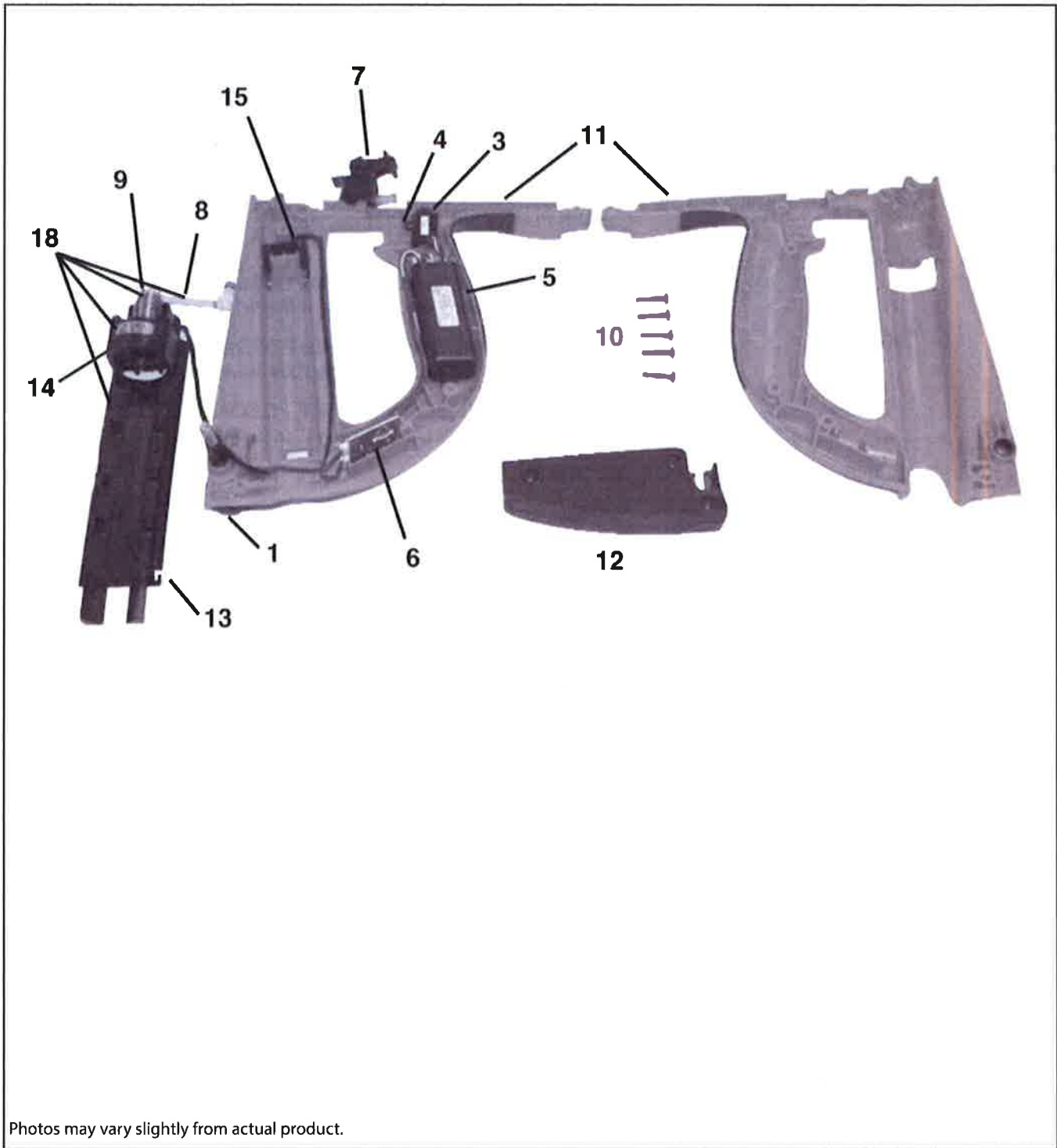
ORDER BY FAX OR EMAIL

f: 800-529-8680 e: spcustomer.service@itwserviceparts.com

| KEY | PART NO. | DESCRIPTION |
|------------|-----------------|---|
| 1 | B0017 | GRILL CAP, T3 |
| 2 | B0095 | FOAM FILTER, T3 |
| 3 | 901065A | CAP SCREWS (PKG QTY OF 4) |
| 4 | B0016 | CAP (GRILL & FILTER NOT INCLUDED) |
| 5 | 900478 | SPARK PLUG WIRE & BOOT |
| 6 | B0061A | SCREWS, PC BOARD (For T3MAG tools before July 2009, S/N: 1509070048 and w/ O-ring head) (For T3SS tools before July 2009, S/N: 1409070110 and w/ O-ring head) |
| 6 | 900902 | SELF THREADING SCREW, LONG, PC BOARD (1 Required – For tools built after July 2009 or with Steel Ring Head) |
| 6 | 100009 | SELF THREADING SCREW, SHORT, PC BOARD (2 Required – For tools built after July 2009 or with Steel Ring Head) |
| 7 | B0040 | PC BOARD |
| 8 | 7505164 | SPARK PLUG ASSEMBLY |
| 9 | 900525A | FAN MOTOR KIT (Includes: Fan, Motor Sleeve, Motor Mount, Retaining Ring & Fan Blade) |
| 10 | 401356 | MOTOR SLEEVE |
| 11 | 900470 | MOTOR MOUNT |
| 12 | 401355 | MOTOR RETAINING SNAP RING |
| 13 | 404601 | HEAD SWITCH |
| 14 | B0078 | CYLINDER HEAD (This replacement part uses Steel Rings) |
| 15 | 403992 | O-RING, CYLINDER HEAD (for tools using O-ring Cylinder Head) |
| 15 | 900935A | STEEL RINGS, CYLINDER HEAD (PKG QTY OF 2) (For tools built after March 2011 and/or using Steel Ring Cylinder Head) |
| 16 | 403167 | FAN BLADE |

ORDER BY FAX OR EMAIL

f: 800-529-8680 e: spcustomer.service@itwserviceparts.com



Photos may vary slightly from actual product.

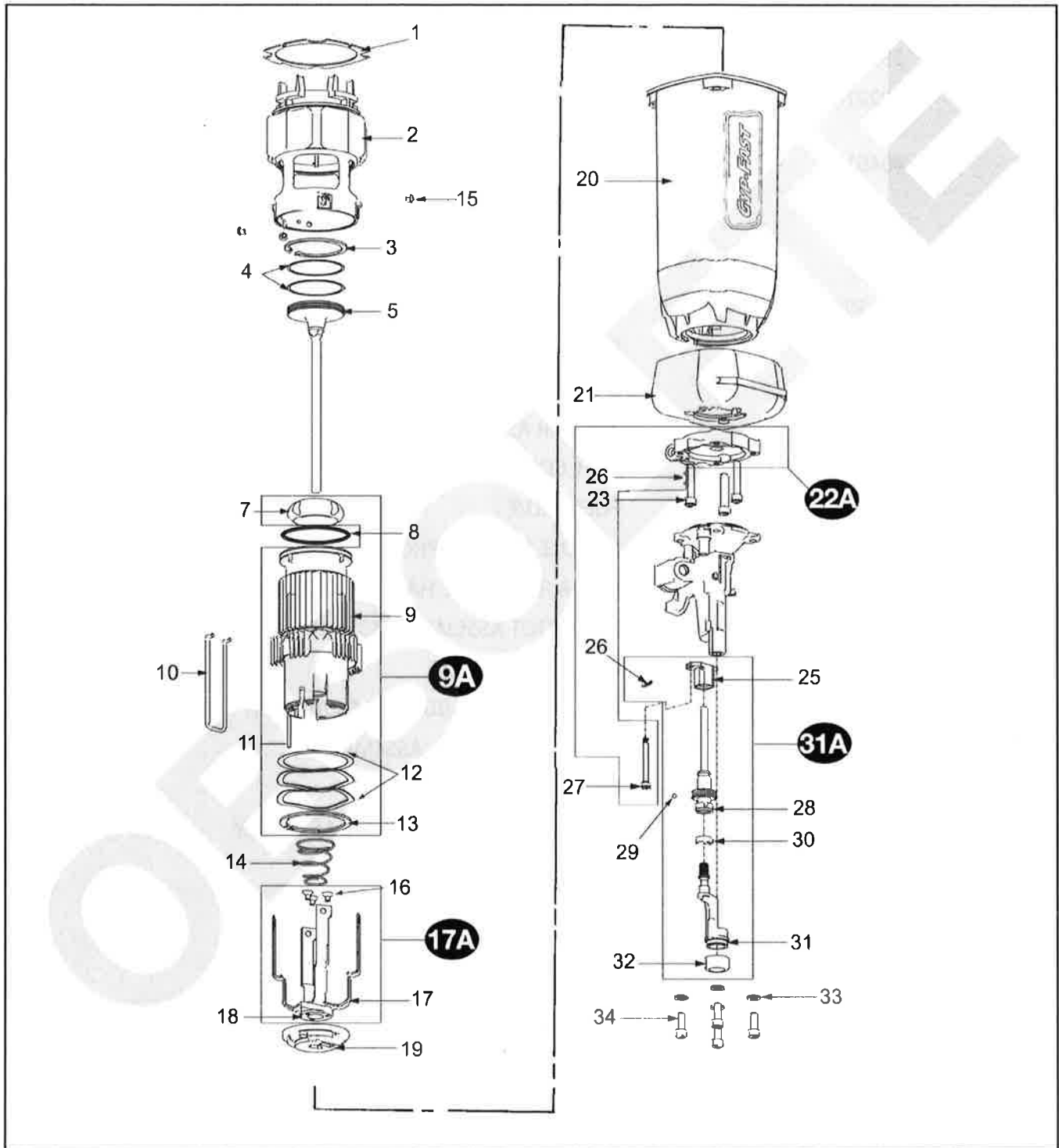
ORDER BY FAX OR EMAIL

f: 800-529-8680 e: spcustomer.service@itwserviceparts.com

| KEY | PART NO. | DESCRIPTION |
|-----|----------|---|
| 1 | 333380 | KNOB ASSEMBLY, T3SS |
| 1A | B0227A | T3MAG EASY RELEASE KNOB KIT (INCLUDES: KNOB CAP, KNOB BASE, KNOB SHAFT HARDWARE) |
| 2 | 404619 | INSULATOR (PLACED UNDER TRIGGER SWITCH) |
| 3 | 900824 | TRIGGER SWITCH - OCTOBER 2016, NEW CONNECTOR (MUST BE USED WITH 905533 MEFI) |
| 4 | 7405091 | SCREWS #2 – 5/8 (PKG OF 2), TRIGGER SWITCH |
| 5 | 905533 | SPARK UNIT – MEFI, T3 - NEW CONNECTOR |
| 6 | B0093 | EFI JUNCTION BOARD |
| 7 | B0006A | TRIGGER ASSEMBLY |
| 8 | B0050A | FUEL CONNECTOR ASSEMBLY |
| 9 | B0160 | FUEL VALVE |
| 10 | B0100A | HANDLE SCREWS (PKG. OF 5) |
| 11 | B0176 | LEFT & RIGHT SIDE HANDLE ASSEMBLY |
| 12 | B0144 | REAR FOOT ASSEMBLY (T3SS ONLY) |
| 13 | B0018 | FUEL SPACER PLATE |
| 14 | B0090A | FUEL CELL EJECT BUTTON & LATCH KIT |
| 15 | B0011 | BATTERY TERMINAL ASSEMBLY |
| 16 | B0210A | BELT HOOK KIT |
| 18 | B0160A | FUEL VALVE & SPACER PLATE ASSEMBLY |
| — | B0029 | HANDLE TO HOUSING BUSHING |
| — | B0030 | HEAD TO HANDLE BUSHING |
| — | B0058 | BUSHING SCREW, M5x10 |
| — | B0055 | RUBBER SPACER, FUEL CONNECTOR |
| — | 7505021 | DANGER LABEL |
| — | 7505025 | WARNING LABEL |
| — | 906001 | MAGNETIC WORK CONTACT ELEMENT (T3MAG) |

ORDER BY FAX OR EMAIL

f: 800-529-8680 e: spcustomer.service@itwserviceparts.com



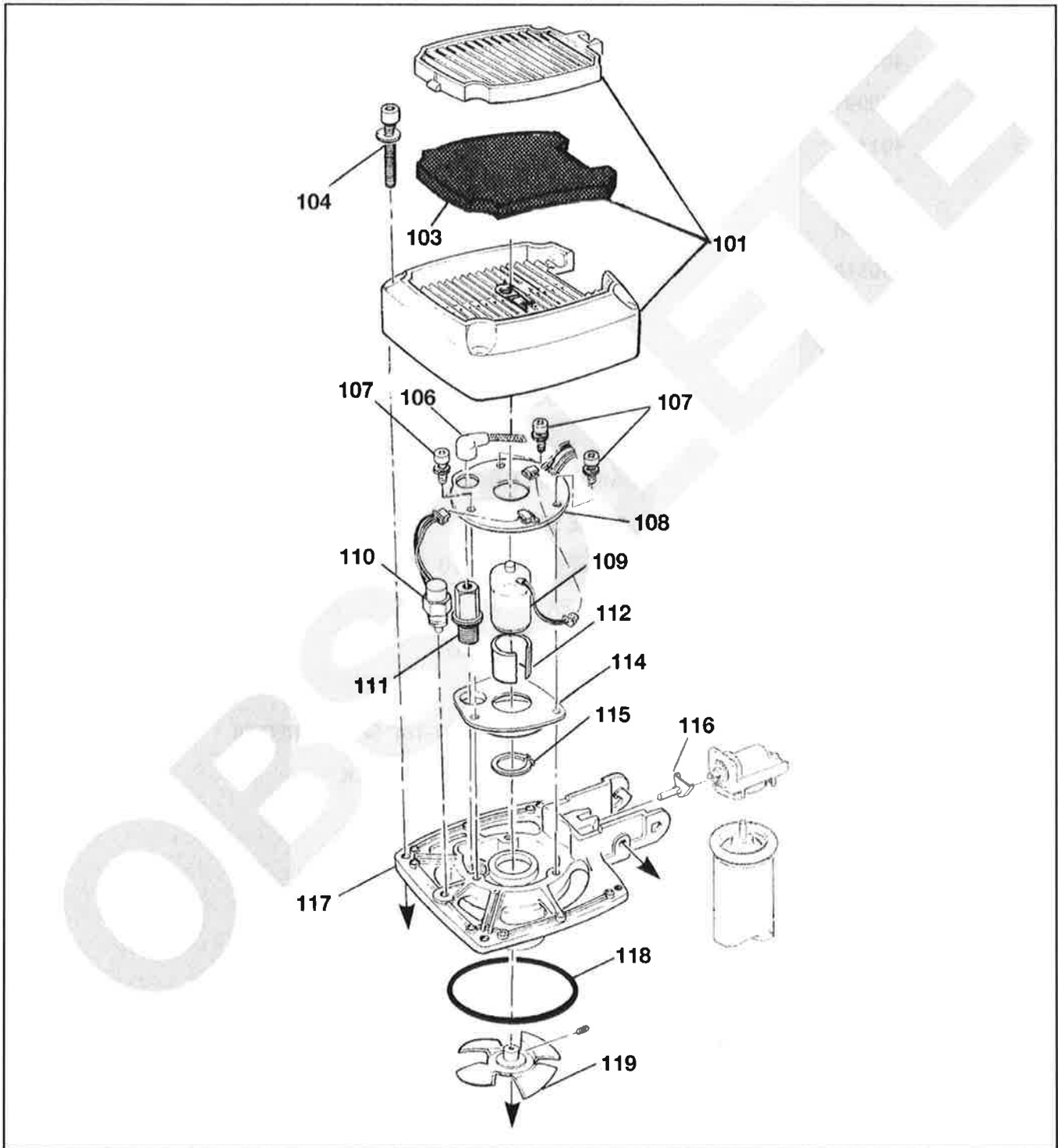
ORDER BY FAX OR EMAIL

f: 800-529-8680 e: spcustomer.service@itwserviceparts.com

| KEY | PART NO. | DESCRIPTION |
|-----|----------|---------------------------------------|
| 1 | 401313 | AIR DAM |
| 2 | 2709910 | COMBUSTION CHAMBER |
| 3 | 401328 | PISTON STOP RETAINING RING |
| 4 | 7405055 | PISTON RINGS (PKG. OF 2) |
| 5 | 100034 | PISTON ASSEMBLY WITH PISTON RINGS |
| 7 | 7505109 | BUMPER |
| 8 | 404482 | SLEEVE O-RING |
| 10 | 2716910 | CHAMBER LOCK OUT BAR, LONG |
| 11 | 2708910 | COMBUSTION PRESSURE FEED TUBE |
| 12 | 7405056 | WASHER/SEAL KIT |
| 13 | 401322 | MID-CHECK RETAINING RING |
| 14 | 401488 | CAGE SPRING |
| 15 | 092769 | CAGE SCREWS #10-32 x 1/4" (4 REQ'D) |
| 19 | 2707910 | SPACER |
| 20 | 2702910 | MOTOR HOUSING |
| 21 | 2711910 | DUST SHIELD |
| 23 | 2768910 | SCREWS #10-24 x 1-1/4" SHCS (3 REQ'D) |
| 25 | 2710910 | DEPTH ADJUSTMENT BLOCK |
| 26 | 2630910 | ROLL PIN |
| 27 | 2759910 | GUIDE PIN |
| 28 | 2715910 | DEPTH ADJUSTMENT ROD |
| 29 | 2646910 | BALL BEARINGS (PKG OF 2) |
| 30 | 2647910 | BAND RETAINER |
| 32 | 2649910 | YOKE TIP |
| 33 | 2639910 | LOCK WASHER, NOSE M6 (4 REQ'D) |
| 34 | 2598910 | SHCS, NOSE M6 x 18mm (4 REQ'D) |

ORDER BY FAX OR EMAIL

f: 800-529-8680 e: spcustomer.service@itwserviceparts.com



ORDER BY FAX OR EMAIL

f: 800-529-8680 e: spcustomer.service@itwserviceparts.com

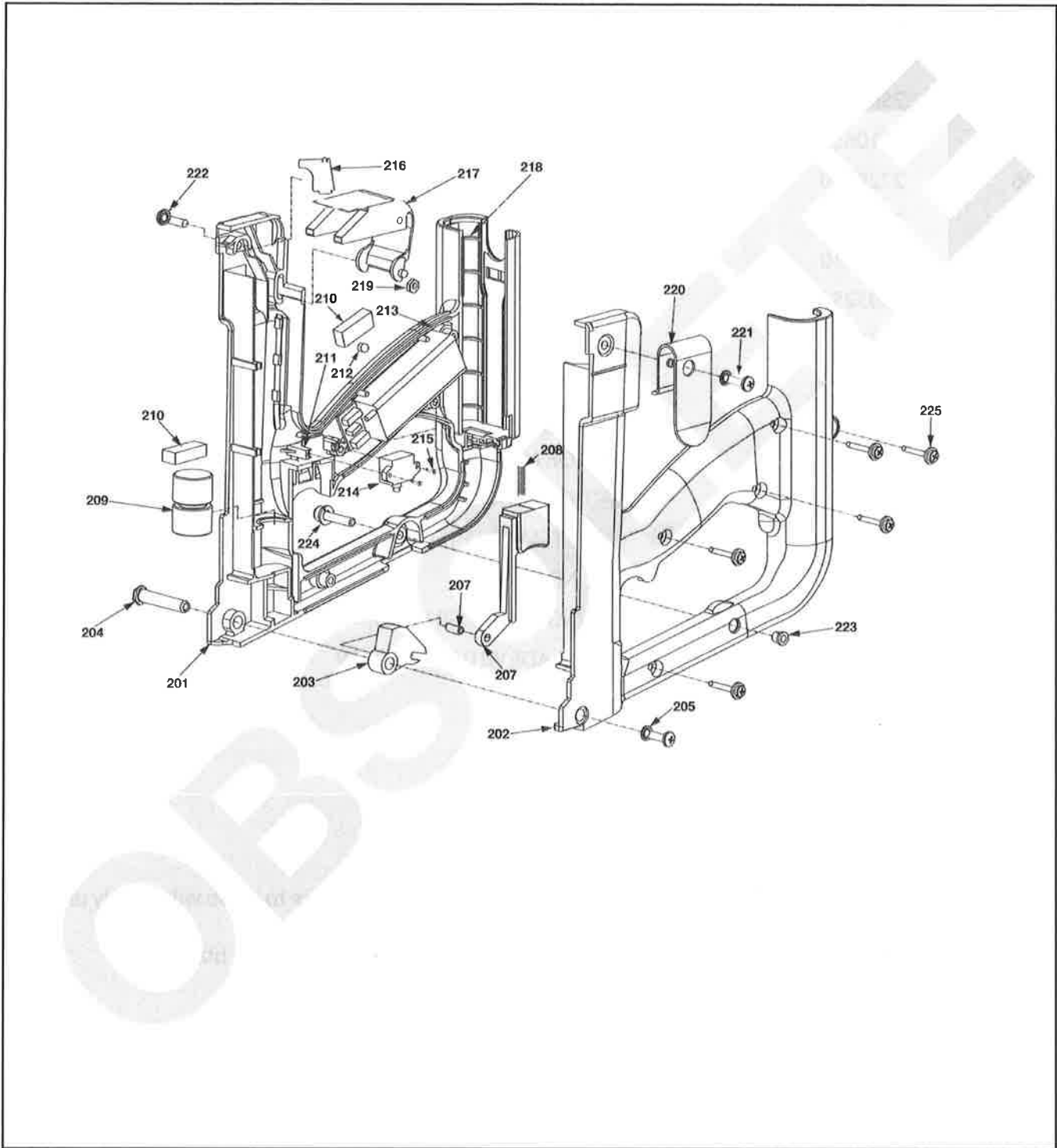
| KEY | PART NO. | DESCRIPTION |
|------------|-----------------|--------------------------------|
| 101 | 401365 | CAP, GRILL & FILTER ASSEMBLY |
| 103 | 7505018 | FOAM FILTER ONLY |
| 104 | 901065A | SCREW KIT PKG. OF 4 |
| 106 | 2728910 | SPARK WIRE & BOOT ONLY |
| 107 | 7405090 | P.C. BOARD SCREW (PKG. OF 3) |
| 108 | 2727910 | P.C. BOARD ASSY. |
| 109 | 900525A | FAN MOTOR KIT** |
| 110 | 404601 | HEAD SWITCH ASSEMBLY |
| 111 | 7505164 | BLACK SPARK PLUG (WITH O RING) |
| 112 | 401356 | MOTOR SLEEVE |
| 114 | 900470 | MOTOR MOUNT |
| 115 | 401355 | MOTOR RETAINING RING |
| 116 | 401340 | RED STEM ADAPTER |
| 117 | 401336 | CYLINDER HEAD |
| 118 | 403992 | O-RING (CYLINDER HEAD) |
| 119 | 403167 | FAN BLADE WITH SET SCREW |

NOTE: It is important to use all kit parts when replacing the fan motor. Failure to do so will greatly reduce the life of the motor.

** Fan Motor Kit includes: fan motor, motor mount, motor sleeve, snap ring and fan blade.

ORDER BY FAX OR EMAIL

f: 800-529-8680 e: spcustomer.service@itwserviceparts.com



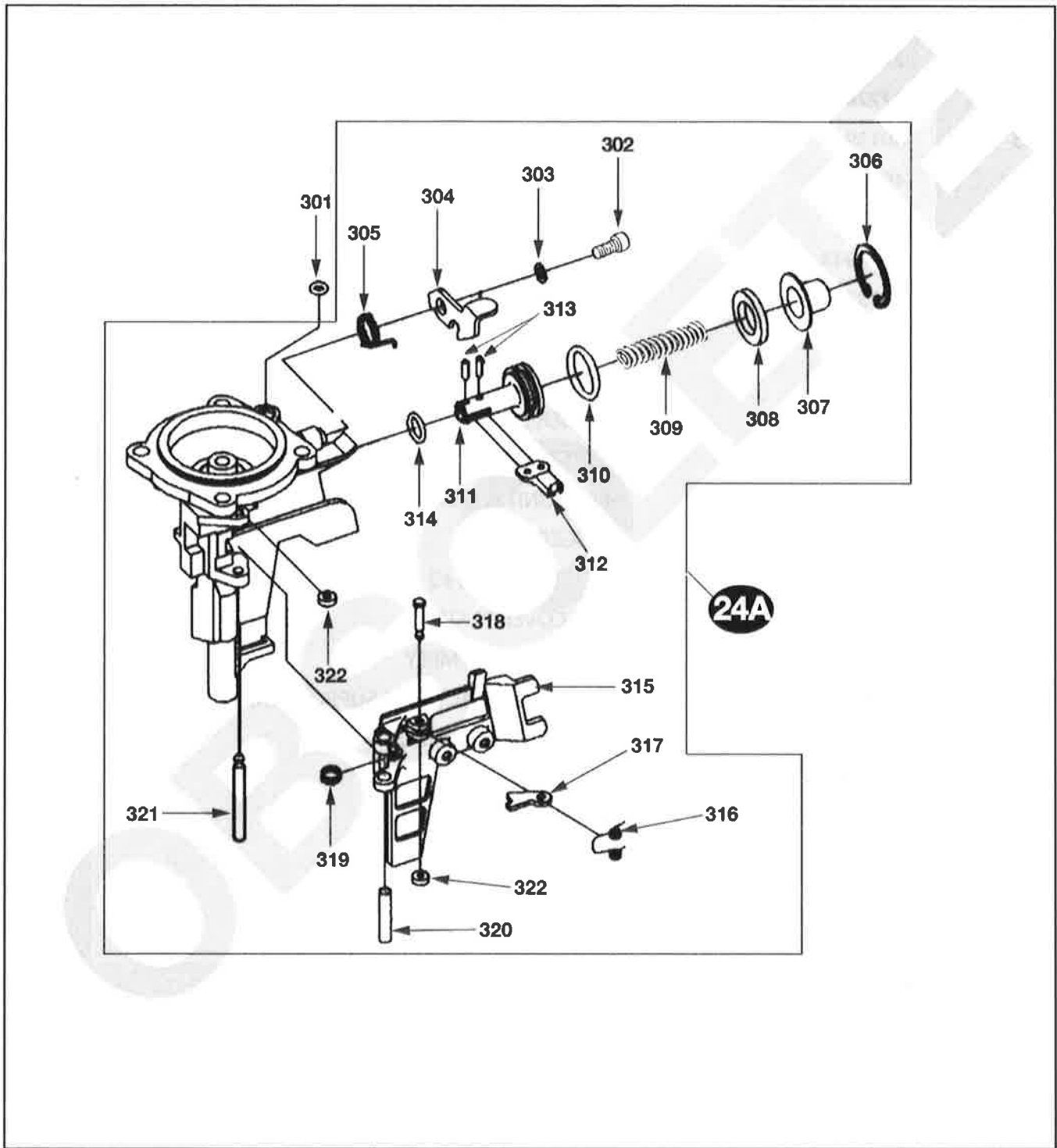
ORDER BY FAX OR EMAIL

f: 800-529-8680 e: spcustomer.service@itwserviceparts.com

| KEY | PART NO. | DESCRIPTION |
|------------|-----------------|---|
| 201 | 2721910 | HANDLE, RIGHT |
| 202 | 2722910 | HANDLE, LEFT |
| 203 | 401396 | CAM |
| 204 | 401397 | CAM BUSHING |
| 205 | 401408 | SCREW & WASHER #10-32 |
| 207 | 401394A | TRIGGER |
| 208 | 401395 | TRIGGER SPRING |
| 209 | 2753910 | SPACER, MFI FUEL CELL |
| 210 | 401450 | FUEL CELL PAD (PKG OF 2) |
| 211 | 404619 | TRIGGER SWITCH INSULATOR |
| 212 | 2304910 | LIGHT PIPE |
| 213 | 900280 | SPARK UNIT W/CONNECTOR |
| 214 | 404490 | TRIGGER SWITCH |
| 215 | 402201 | TRIGGER SCREW, #2 x 5/8" |
| 216 | 900012 | WIRE COVER PLATE |
| 217 | 401400A | ACTUATOR ASSEMBLY |
| 218 | 100076 | BATTERY CONTACT AND SUPPORT TRAY ASSEMBLY |
| 219 | 401405 | HEX NUT, #6-32 (5 REQ'D) |
| 220 | 401495 | BELT HOOK |
| 221 | 401407 | CLY HD/BELT HK SCREW |
| 222 | 401408 | SCREW & WASHER, #10-32 |
| 223 | 2766910 | INSERT #10-24 |
| 224 | 2779910 | SCREW/LOCK WASHER #10 |
| 225 | 401403 | SCREW/WASHER #6-32 x 1" (5 REQ'D) |
| — | 7505021 | DANGER LABEL |
| — | 7505025 | WARNING LABEL |

ORDER BY FAX OR EMAIL

f: 800-529-8680 e: spcustomer.service@itwserviceparts.com



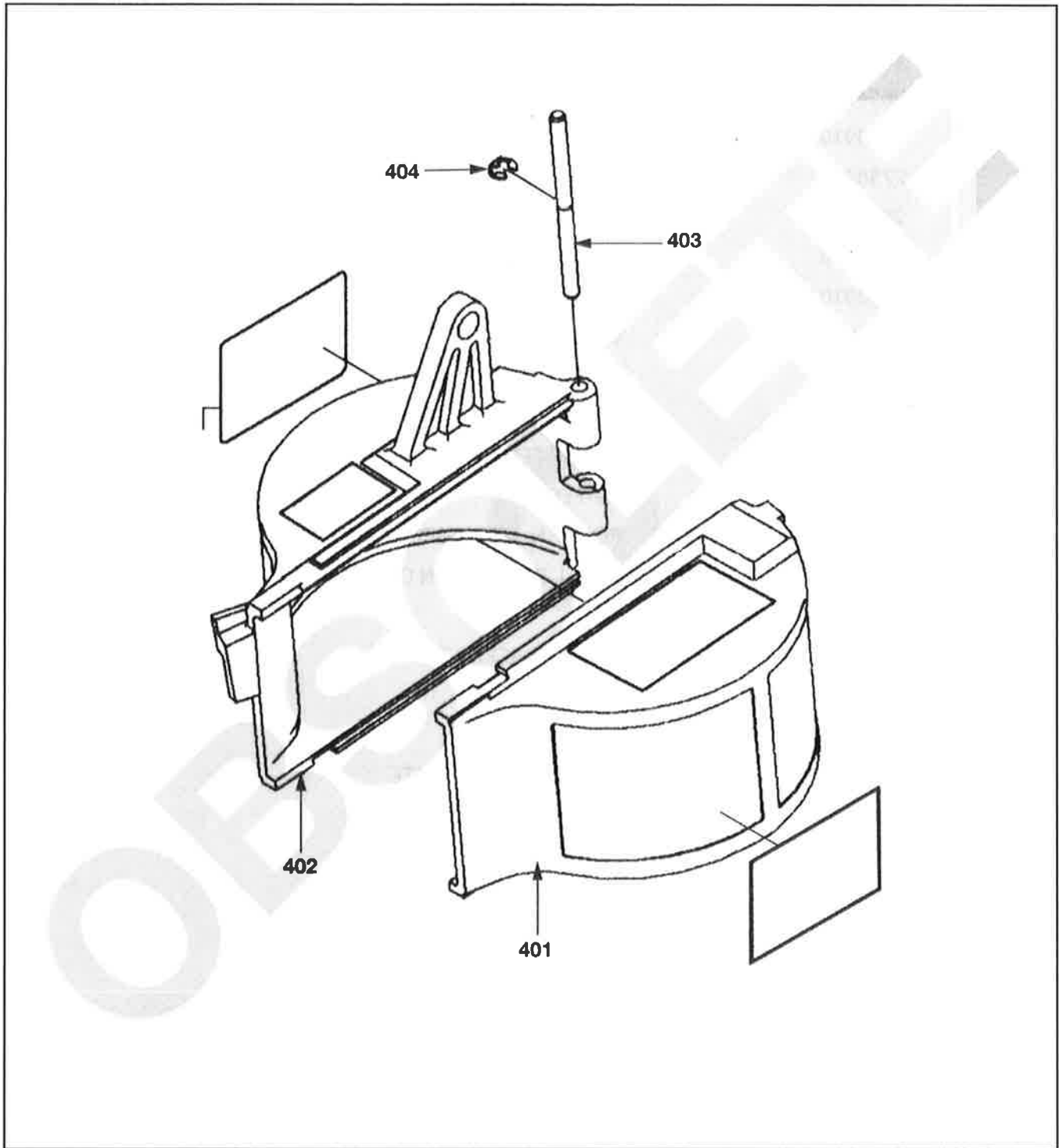
ORDER BY FAX OR EMAIL

f: 800-529-8680 e: spcustomer.service@itwserviceparts.com

| KEY | PART NO. | DESCRIPTION |
|------------|-----------------|---------------------------------|
| 301 | 2769910 | FEED TUBE O-RING |
| 302 | 2654910 | SCREW, LATCH |
| 303 | 2653910 | WASHER LATCH |
| 304 | 2756910 | LEVER, MAGAZINE |
| 305 | 2651910 | TORSION SPRING, LATCH |
| 306 | 2663910 | RING, STOP |
| 307 | 2662910 | COVER, FEED |
| 308 | 2661910 | CUSHION, FEED |
| 309 | 2660910 | SPRING, FEED PISTON |
| 310 | 2659910 | O-RING, LARGE |
| 311 | 2657910 | PISTON FEED |
| 312 | 2658910 | TIP-FEED |
| 313 | 2656910 | ROLL PIN, FEED PISTON (2 REQ'D) |
| 314 | 2655910 | SMALL FEED PISTON O-RING |
| 315 | 2664910 | GATE |
| 316 | 2668910 | SPRING, BACKUP TIP |
| 317 | 2667910 | TIP, BACKUP |
| 318 | 2665910 | PIN, GATE |
| 319 | 2670910 | TORSION SPRING, GATE |
| 320 | 2669910 | SPACER GATE |
| 321 | 2640910 | PIN, GATE |
| 322 | 2666910 | WASHER, URETHANE |

ORDER BY FAX OR EMAIL

f: 800-529-8680 e: spcustomer.service@itwserviceparts.com



ORDER BY FAX OR EMAIL

f: 800-529-8680 e: spcustomer.service@itwserviceparts.com

SLEEVE / FEED TUBE ASSEMBLY — PART NO. 100074 (SCHEMATIC NO. 9A)

| SCHEMATIC NO. | QTY | DESCRIPTION |
|---------------|-----|-------------------------------|
| 7 | 1 | BUMPER |
| 9 | 1 | SLEEVE |
| 11 | 1 | COMBUSTION PRESSURE FEED TUBE |
| 12 | 1 | WASHER/SEAL KIT |
| 13 | 1 | MID-CHECK RETAINING RING |

CAGE ASSEMBLY - PART NO. 2714910 (SCHEMATIC NO. 17A)

| SCHEMATIC NO. | QTY | DESCRIPTION |
|---------------|-----|---|
| 16 | 3 | PROBE/CAGE ASSEMBLY SCREWS #10-32 X 3/8" |
| 17 | 1 | CAGE |
| 18 | 1 | UPPER PROBE |

FLANGE ADAPTOR ASSEMBLY - PART NO. 100075 (SCHEMATIC NO. 22A)

| SCHEMATIC NO. | QTY | DESCRIPTION |
|---------------|-----|----------------|
| 22 | 1 | FLANGE ADAPTOR |
| 26 | 1 | ROLL PIN |
| 27 | 1 | GUIDE PIN |

ORDER BY FAX OR EMAIL

f: 800-529-8680 e: spcustomer.service@itwserviceparts.com

NOSE ASSEMBLY - PART NO. 2713910 (SCHEMATIC NO. 24A)

| SCHEMATIC NO. | QTY | DESCRIPTION |
|----------------------|------------|--------------------------|
| 302 | 1 | SCREW, LATCH |
| 303 | 1 | WASHER, LATCH |
| 304 | 1 | LEVER, MAGAZINE |
| 305 | 1 | TORSION SPRING, LATCH |
| 306 | 1 | RING, STOP |
| 307 | 1 | COVER, FEED |
| 308 | 1 | CUSHION, FEED |
| 309 | 1 | SPRING, FEED PISTON |
| 310 | 1 | O-RING, LARGE |
| 311 | 1 | PISTON FEED |
| 312 | 1 | TIP-FEED |
| 313 | 2 | ROLL PIN, FEED PISTON |
| 314 | 1 | SMALL FEED PISTON O-RING |
| 315 | 1 | GATE |
| 316 | 1 | SPRING, BACKUP TIP |
| 317 | 1 | TIP, BACKUP |
| 318 | 1 | PIN, GATE |
| 319 | 1 | TORSION SPRING, GATE |
| 320 | 1 | SPACER, GATE |
| 321 | 1 | PIN, GATE |
| 322 | 1 | WASHER, URETHANE |

ORDER BY FAX OR EMAIL

f: 800-529-8680 e: spcustomer.service@itwserviceparts.com

SAFETY YOKE ASSEMBLY - PART NO. 2698910 (SCHEMATIC NO. 31A)

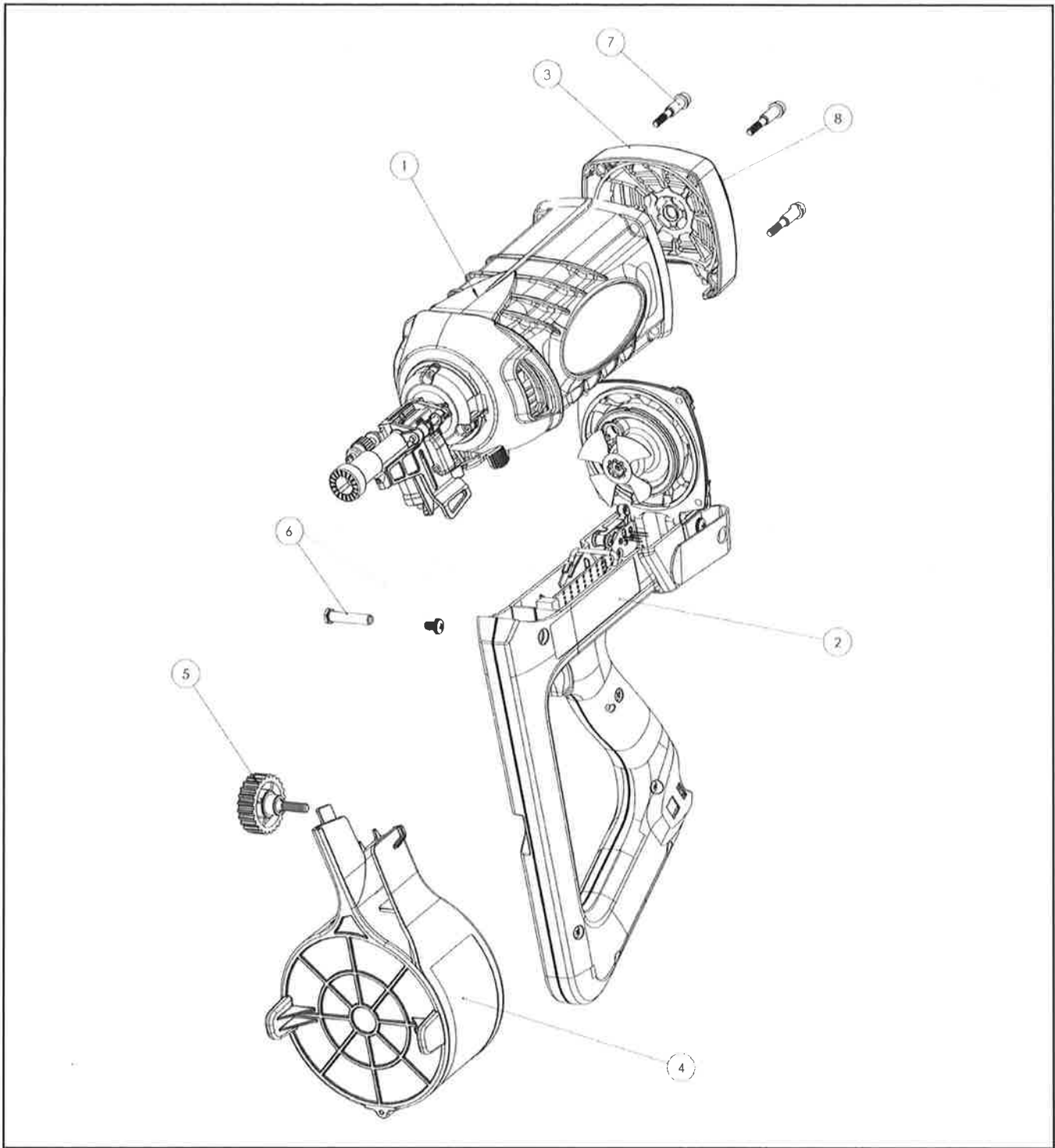
| SCHEMATIC NO. | QTY | DESCRIPTION |
|----------------------|------------|------------------------|
| 25 | 1 | DEPTH ADJUSTMENT BLOCK |
| 26 | 1 | ROLL PIN |
| 28 | 1 | DEPTH ADJUSTMENT ROD |
| 29 | 2 | BALL BEARINGS |
| 30 | 1 | BAND RETAINER |
| 31 | 1 | SAFETY YOKE |
| 32 | 1 | YOKE TIP |

MAGAZINE ASSEMBLY - PART NO. 2696910 (SCHEMATIC NO. 89A)

| SCHEMATIC NO. | QTY | DESCRIPTION |
|----------------------|------------|--------------------|
| 401 | 1 | DOOR ASSEMBLY |
| 402 | 1 | MAGAZINE |
| 403 | 1 | PIN, HINGE |
| 404 | 1 | E-RING, HINGE PIN |

ORDER BY FAX OR EMAIL

f: 800-529-8680 e: spcustomer.service@itwserviceparts.com



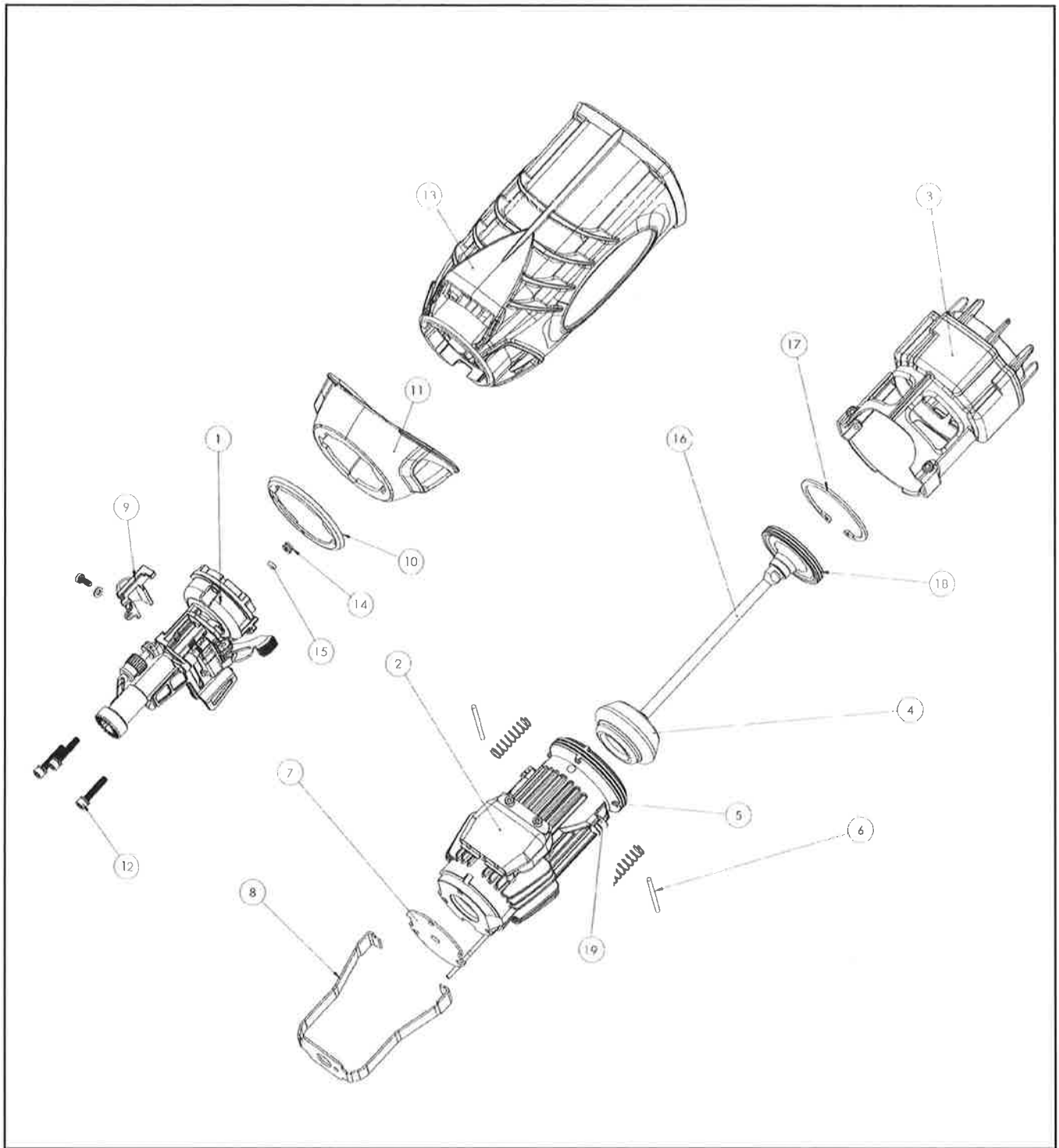
ORDER BY FAX OR EMAIL

f: 800-529-8680 e: spcustomer.service@itwserviceparts.com

| KEY | PART NO. | DESCRIPTION |
|------------|-----------------|------------------------------------|
| 1 | N/A | MOTOR ASSEMBLY |
| 2 | N/A | HANDLE ASSEMBLY - TF1200 |
| 3 | 100266 | CAP ASSEMBLY |
| 4 | 100256A | G2 MAGAZINE ASSEMBLY |
| 5 | 801124 | KNOB ASSEMBLY - TF1200 |
| 6 | 100060A | BUSHING, HANDLE TO HOUSING W/SCREW |
| 7 | 901063A | SHOULDER SCREW (PKG OF 4) |
| 8 | 900315 | FILTER SCREEN |

ORDER BY FAX OR EMAIL

f: 800-529-8680 e: spcustomer.service@itwserviceparts.com



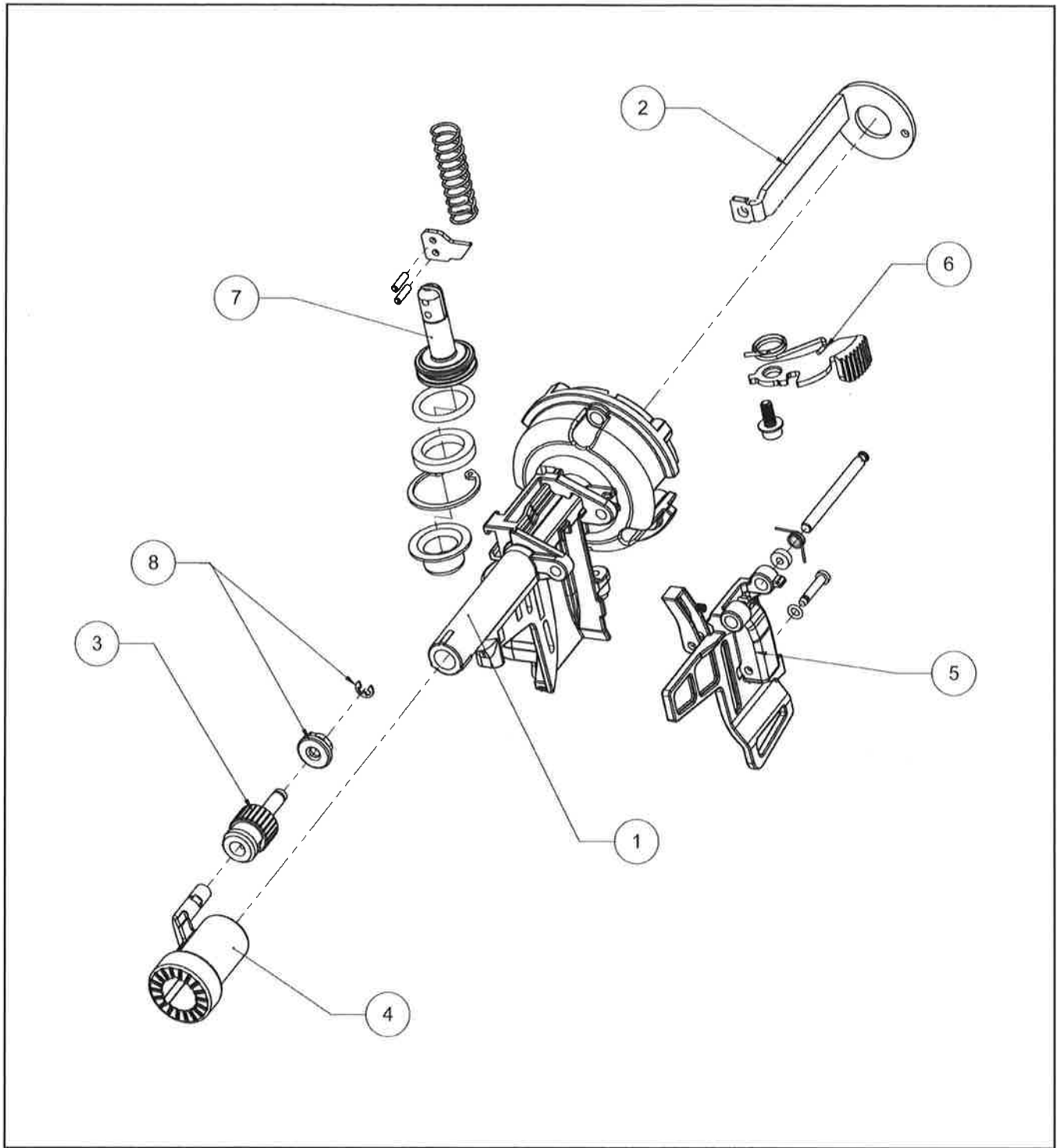
ORDER BY FAX OR EMAIL

f: 800-529-8680 e: spcustomer.service@itwserviceparts.com

| KEY | PART NO. | DESCRIPTION |
|------------|-----------------|--|
| 1 | 100229A | NOSE ASSEMBLY |
| 2 | 100069A | SLEEVE ASSEMBLY |
| 3 | 902233 | COMBUSTION CHAMBER ASSEMBLY |
| 4 | 404419 | BUMPER |
| 5 | 900943A | RINGS, SLEEVE (PKG OF 2) |
| 6 | 408837A | COMBUSTION CHAMBER PINS & SPRINGS (PKG OF 2) |
| 7 | 100262 | SUPPORT PLATE, SLEEVE |
| 8 | 100070 | CAGE |
| 9 | 100259A | ADVANCE PISTON COVER ASSEMBLY |
| 10 | 100158G2 | SHROUD RING |
| 11 | 100045G2 | SHROUD |
| 12 | 900296 | FLANGE SCREW (PKG OF 3) |
| 13 | 100073 | HOUSING ASSEMBLY |
| 14 | 100338 | RUBBER GASKET |
| 15 | 2769910 | O-RING |
| 16 | 100050G2 | PISTON ASSEMBLY |
| 17 | 401328 | RETENTION RING, PISTON |
| 18 | 7405055 | PISTON RINGS |
| 19 | 404464 | RUBBER STOP, CAGE (2) |

ORDER BY FAX OR EMAIL

f: 800-529-8680 e: spcustomer.service@itwserviceparts.com



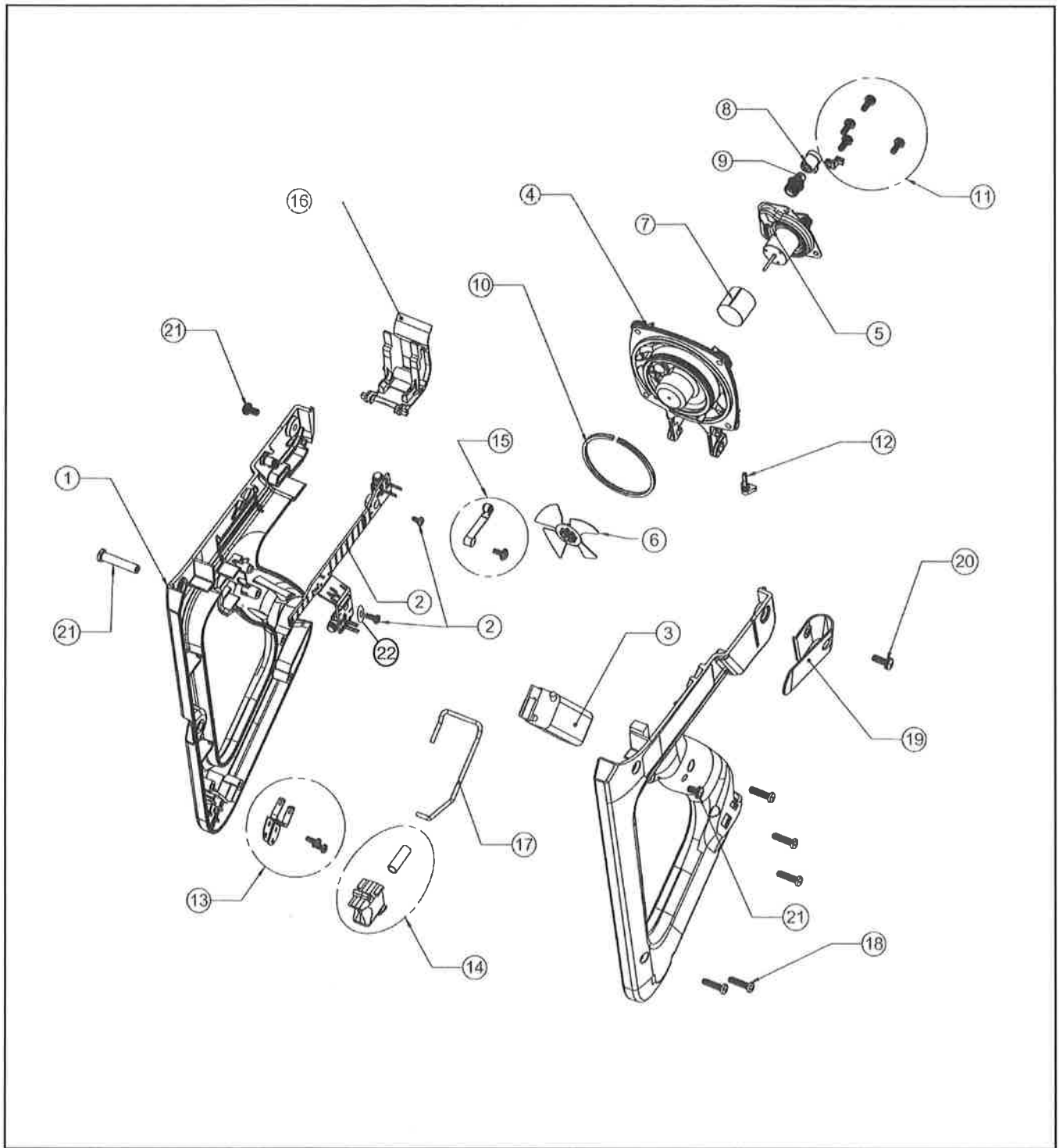
ORDER BY FAX OR EMAIL

f: 800-529-8680 e: spcustomer.service@itwserviceparts.com

| KEY | PART NO. | DESCRIPTION |
|------------|-----------------|---|
| 1 | 100229A | NOSE |
| 2 | 100249 | ACTUATOR ASSEMBLY |
| 3 | 100251 | DEPTH ADJUSTMENT DIAL ASSEMBLY |
| 4 | 100250 | WORK CONTACT ELEMENT |
| 4A | 100342 | G2 MAGNETIC LATH PROBE (NOT SHOWN) |
| 5 | 100230 | DOOR ASSEMBLY |
| 6 | 100232 | LATCH ASSEMBLY |
| 7 | 100241 | ADVANCE PISTON ASSEMBLY |
| 8 | 100254A | DEPTH ADJUST DIAL RETENTION NUT AND CIRCLIP |

ORDER BY FAX OR EMAIL

f: 800-529-8680 e: spcustomer.service@itwserviceparts.com



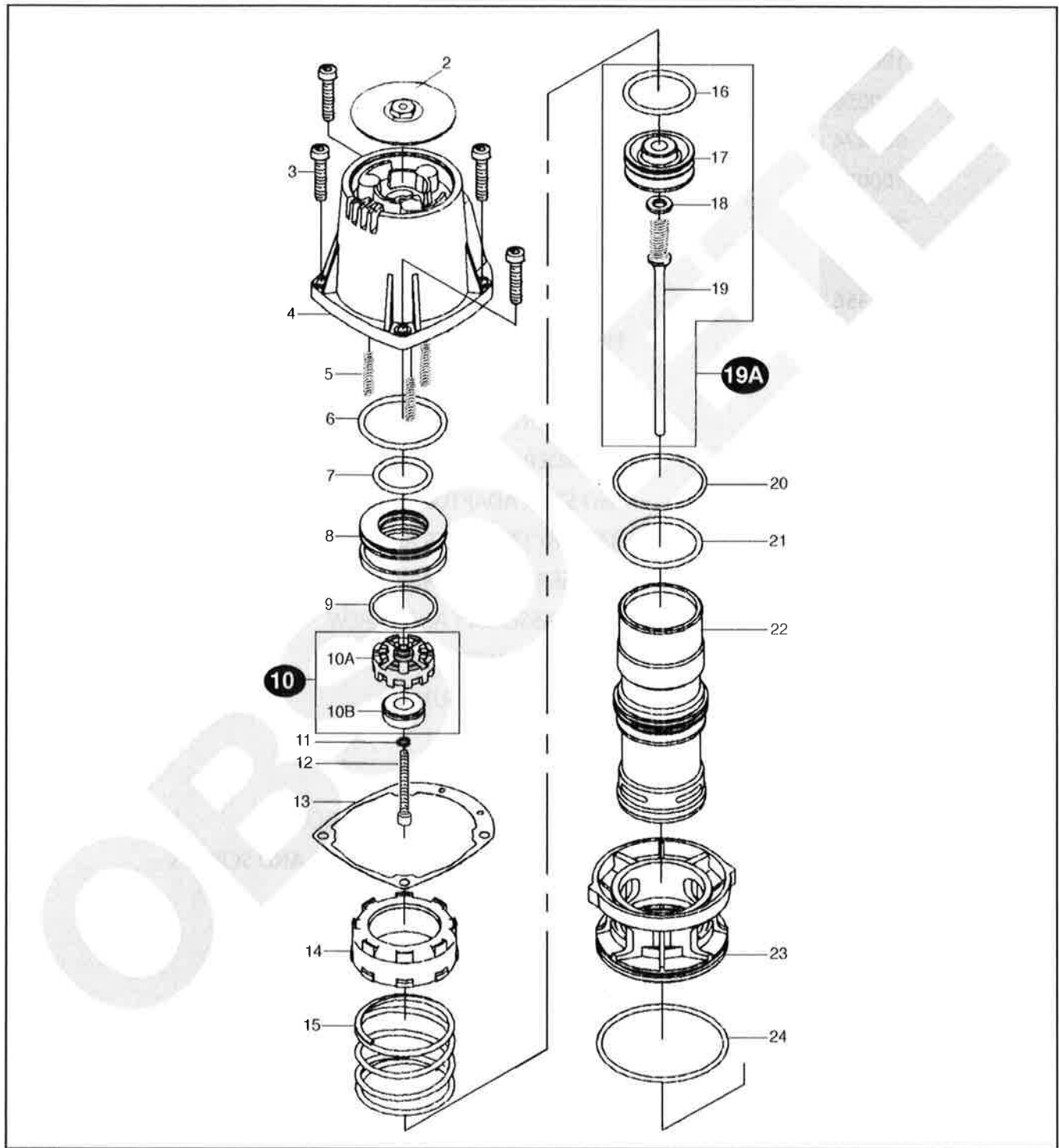
ORDER BY FAX OR EMAIL

f: 800-529-8680 e: spcustomer.service@itwserviceparts.com

| KEY | PART NO. | DESCRIPTION |
|------------|-----------------|---|
| 1 | 100056A | RIGHT AND LEFT HANDLE HALF |
| 2 | 100059A | MOLDED CIRCUIT BOARD W/MOUNTING SCREWS |
| 3 | 900474 | MSU |
| 4 | 100058 | CYLINDER HEAD |
| 5 | 901430A | MOTOR ASSEMBLY, FAN |
| 6 | 403167 | FAN BLADE ASSEMBLY |
| 7 | 401356 | MOTOR SLEEVE |
| 8 | 100157 | HIGH VOLTAGE WIRE ASSEMBLY |
| 9 | 7505164 | SPARK PLUG ASSEMBLY |
| 10 | 900935A | CYLINDER HEAD STEEL RINGS (PKG OF 2) |
| 11 | 900596A | CYLINDER HEAD SCREWS AND WIRE BRACKET |
| 12 | 401340 | RED STEM ADAPTOR |
| 13 | 100095A | BATTERY CONTACTS AND SCREWS |
| 14 | 404435A | TRIGGER AND SPRING |
| 15 | 100184A | LEVER ASSEMBLY AND SCREW |
| 16 | 900966 | ACTUATOR ASSEMBLY |
| 17 | 100097 | CHAMBER LOCKOUT BAR |
| 18 | B0100A | HANDLE SCREWS |
| 19 | 401495 | BELT HOOK |
| 20 | 401407 | CYLINDER HEAD/BELT HOOK SCREW |
| 21 | 100060A | HANDLE TO HOUSING BUSHING AND SCREWS |
| 22 | 906005 | NYLON FLAT WASHER |
| — | 901422 | PC BOARD ASSY, TF1200 (MUST USE WITH 901430 FAN MOTOR) |
| — | 7505021 | DANGER LABEL |
| — | 7505022 | SEQUENCE LABEL |
| — | 7505025 | WARNING LABEL |

ORDER BY FAX OR EMAIL

f: 800-529-8680 e: spcustomer.service@itwserviceparts.com



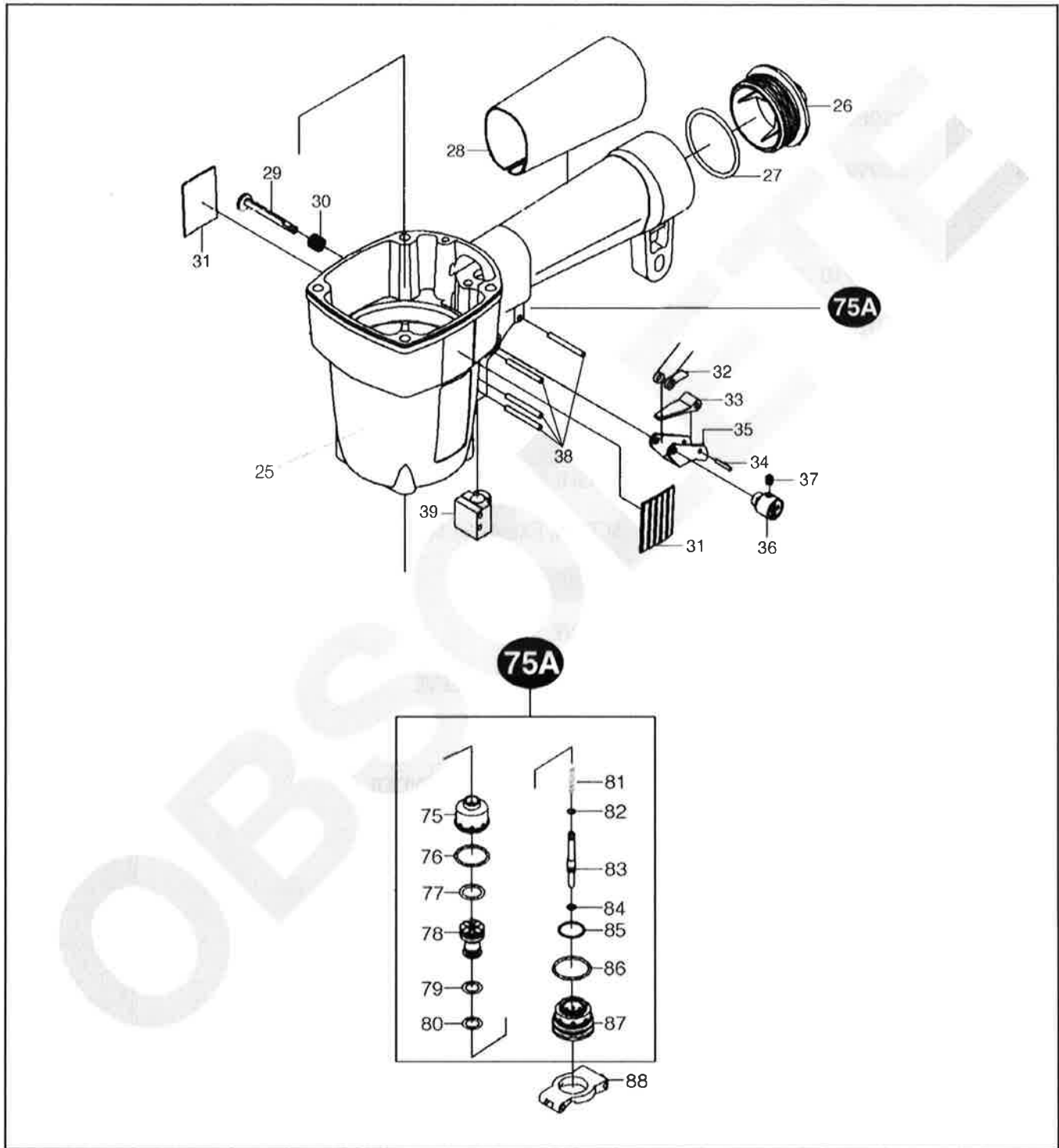
ORDER BY FAX OR EMAIL

f: 800-529-8680 e: spcustomer.service@itwserviceparts.com

| KEY | PART NO. | DESCRIPTION |
|------------|-----------------|---|
| 2 | 2597910 | PLATE, EXHAUST (PLATE AND NUT INCLUDED) |
| 3 | 2598910 | SCREW, CAP (4 REQ'D) |
| 4 | 2599910 | CAP |
| 5 | 2600910 | SPRING (3 REQ'D) |
| 6 | 2601910 | O-RING, LARGE POPPET |
| 7 | 2602910 | O-RING, SMALL POPPET |
| 8 | 2603910 | POPPET |
| 9 | 2604910 | O-RING, EXHAUST SEAL |
| 11 | 2606910 | WASHER, EXHAUST SEAL |
| 12 | 2607910 | SCREW, EXHAUST SEAL |
| 13 | 2608910 | GASKET, CAP |
| 14 | 2609910 | SLEEVE, SEAL |
| 15 | 2610910 | SPRING, SEAL SLEEVE |
| 16 | 2611910 | O-RING, PISTON |
| 20 | 2616910 | O-RING, LARGE CYLINDER |
| 21 | 2617910 | O-RING, SMALL CYLINDER |
| 22 | 2618910 | CYLINDER |
| 23 | 2619910 | RING, CYLINDER |
| 24 | 2620910 | O-RING, CYLINDER RING |

ORDER BY FAX OR EMAIL

f: 800-529-8680 e: spcustomer.service@itwserviceparts.com



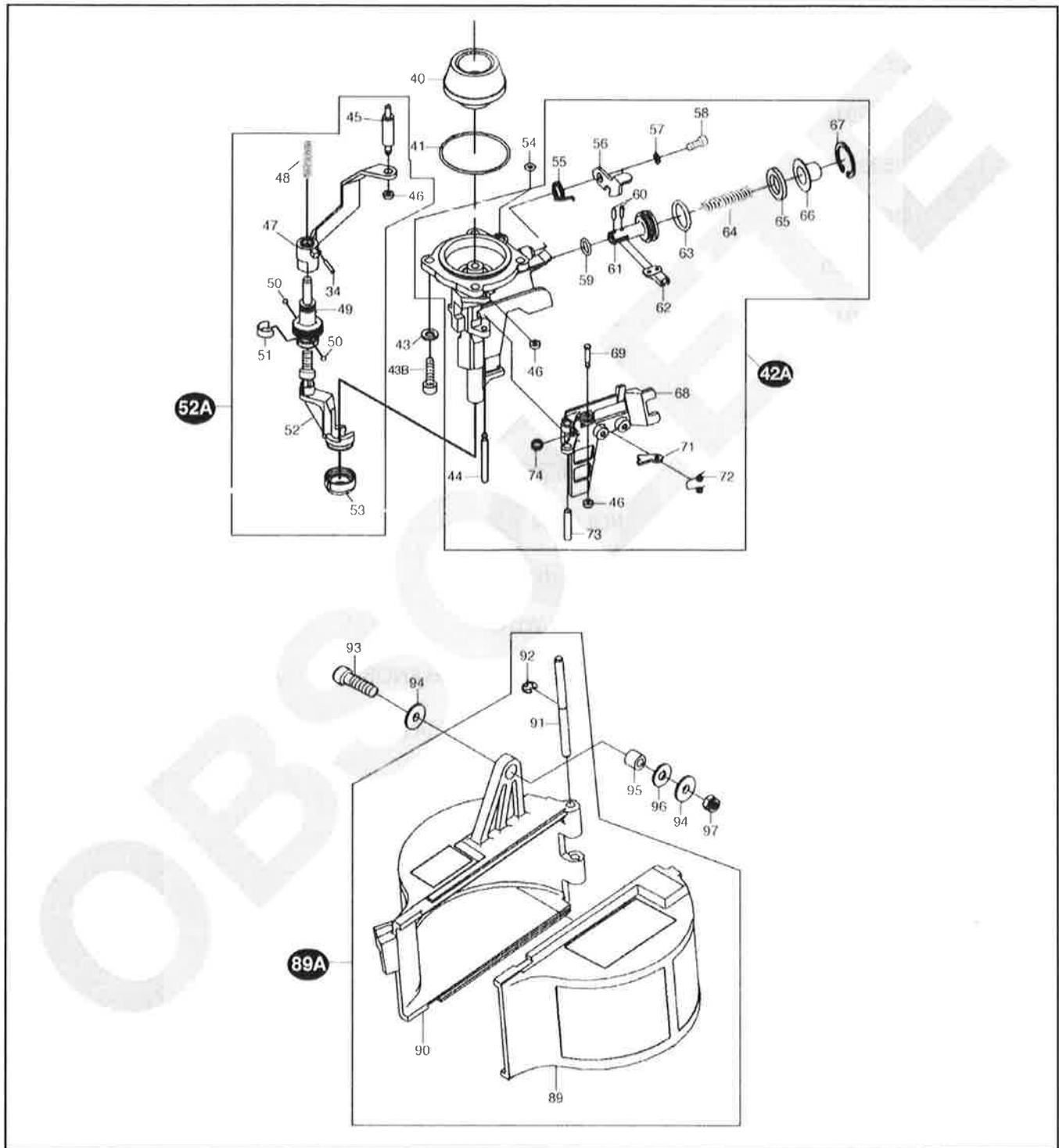
ORDER BY FAX OR EMAIL

f: 800-529-8680 e: spcustomer.service@itwserviceparts.com

| KEY | PART NO. | DESCRIPTION |
|------------|-----------------|----------------------------|
| 25 | 2621910 | HANDLE |
| 26 | 2622910 | CAP, REAR |
| 27 | 2623910 | O-RING, REAR CAP |
| 28 | 2624910 | COVER, GRIP |
| 29 | 2625910 | PIN, TRIGGER |
| 30 | 2626910 | SPRING, TRIGGER PIN |
| 31 | 2627910 | COVER, SIDE |
| 32 | 2628910 | SPRING, TORSION, TRIGGER |
| 33 | 2629910 | LEVER, TRIP |
| 34 | 2630910 | ROLL PIN |
| 35 | 2631910 | TRIGGER |
| 36 | 2632910 | KNOB, SWITCH |
| 37 | 2633910 | SET SCREW, SWITCH KNOB |
| 38 | 2634910 | ROLL PIN, HANDLE (4 REQ'D) |
| 39 | 2635910 | ROD GUIDE |
| 88 | 2684910 | PLATE, TRIGGER |

ORDER BY FAX OR EMAIL

f: 800-529-8680 e: spcustomer.service@itwserviceparts.com



ORDER BY FAX OR EMAIL

f: 800-529-8680 e: spcustomer.service@itwserviceparts.com

| KEY | PART NO. | DESCRIPTION |
|------------|-----------------|--------------------------|
| 40 | 2636910 | BUMPER |
| 41 | 2637910 | O-RING, NOSE |
| 43 | 2639910 | WASHER (4 REQ'D) |
| 43B | 2450910 | SCREW (4 REQ'D) |
| 44 | 2640910 | PIN, GATE |
| 46 | 2666910 | WASHER, URETHANE |
| 50 | 2646910 | BALL BEARINGS (PKG OF 2) |
| 51 | 2647910 | BAND RETAINER |
| 53 | 2649910 | TIP, YOKE |
| 54 | 2650910 | O-RING, ROD GUIDE |
| 55 | 2651910 | TORSION SPRING, LATCH |
| 56 | 2652910 | LATCH |
| 57 | 2653910 | WASHER, LATCH |
| 58 | 2654910 | SCREW, LATCH |
| 59 | 2655910 | SMALL FEED PISTON O-RING |
| 60 | 2656910 | ROLL PIN, FEED PISTON |
| 61 | 2657910 | PISTON, FEED |
| 62 | 2658910 | TIP, FEED |
| 63 | 2659910 | LARGE FEED PISTON O-RING |
| 64 | 2660910 | SPRING, FEED PISTON |
| 65 | 2661910 | CUSHION, FEED |
| 66 | 2662910 | COVER, FEED |
| 67 | 2663910 | RING, STOP |
| 68 | 2664910 | GATE |
| 69 | 2665910 | PIN, GATE |
| 71 | 2667910 | TIP, BACKUP |
| 72 | 2668910 | SPRING, BACKUP TIP |
| 73 | 2669910 | SPACER, GATE |
| 74 | 2670910 | TORSION SPRING, GATE |
| 93 | 2689910 | SCREW, MAGAZINE |
| 94 | 2690910 | WASHER |
| 95 | 2691910 | SPACER, GATE |
| 96 | 2692910 | WASHER, RUBBER |
| 97 | 2693910 | NUT |

ORDER BY FAX OR EMAIL

f: 800-529-8680 e: spcustomer.service@itwserviceparts.com

OVERHAUL O-RING KIT — PART NO. 2699910

| SCHEMATIC NO. | QTY | DESCRIPTION |
|----------------------|------------|---------------------------|
| 6 | 1 | O-RING, LARGE POPPET |
| 7 | 1 | O-RING, SMALL POPPET |
| 9 | 1 | O-RING, EXHAUST SEAL |
| 16 | 1 | O-RING, PISTON |
| 20 | 1 | O-RING, LARGE CYLINDER |
| 21 | 1 | O-RING, SMALL CYLINDER |
| 24 | 1 | O-RING, CYLINDER RING |
| 59 | 1 | O-RING, SMALL FEED PISTON |
| 63 | 1 | O-RING, LARGE FEED PISTON |

EXHAUST ASSEMBLY — Part No. 2695910 (SCHEMATIC No. 10)

| SCHEMATIC NO. | QTY | DESCRIPTION |
|----------------------|------------|--------------------|
| 10A | 1 | SEAL, EXHAUST |
| 10B | 1 | CUSHION |

PISTON ASSEMBLY — PART NO. 2615910 (SCHEMATIC NO. 19A)

| SCHEMATIC NO. | QTY | DESCRIPTION |
|----------------------|------------|----------------------|
| 16 | 1 | O-RING, PISTON |
| 17 | 1 | PISTON |
| 18 | 1 | WASHER, PISTON |
| 19 | 1 | DRIVER BLADE, PISTON |

ORDER BY FAX OR EMAIL

f: 800-529-8680 e: spcustomer.service@itwserviceparts.com

NOSE ASSEMBLY - PART NO. 2638910 (SCHEMATIC NO. 42A)

| SCHEMATIC NO. | QTY | DESCRIPTION |
|----------------------|------------|--------------------------|
| 44 | 1 | PIN, GATE |
| 46 | 1 | WASHER, URETHANE |
| 55 | 1 | TORSION SPRING, LATCH |
| 56 | 1 | LEVER, MAGAZINE |
| 57 | 1 | WASHER, LATCH |
| 58 | 1 | SCREW, LATCH |
| 59 | 1 | SMALL FEED PISTON O-RING |
| 60 | 2 | ROLL PIN, FEED PISTON |
| 61 | 1 | PISTON FEED |
| 62 | 1 | TIP-FEED |
| 63 | 1 | O-RING, LARGE |
| 64 | 1 | SPRING, FEED PISTON |
| 65 | 1 | CUSHION, FEED |
| 66 | 1 | COVER, FEED |
| 67 | 1 | RING, STOP |
| 68 | 1 | GATE |
| 69 | 1 | PIN, GATE |
| 71 | 1 | TIP, BACKUP |
| 72 | 1 | SPRING, BACKUP TIP |
| 73 | 1 | SPACER, GATE |
| 74 | 1 | TORSION SPRING, GATE |

ORDER BY FAX OR EMAIL

f: 800-529-8680 e: spcustomer.service@itwserviceparts.com

SAFETY YOKE ASSEMBLY — PART NO. 2697910 (SCHEMATIC NO. 52A)

| SCHEMATIC NO. | QTY | DESCRIPTION |
|---------------|-----|--------------------------|
| 34 | 1 | ROLL PIN |
| 45 | 1 | ROD, TRIGGER |
| 46 | 1 | WASHER, TRIGGER ROD |
| 47 | 1 | YOKE, UPPER |
| 48 | 1 | SPRING, UPPER YOKE |
| 49 | 1 | KNOB, ADJUSTMENT |
| 50 | 2 | BALL BEARINGS, ADJ. KNOB |
| 51 | 1 | BAND RETAINER |
| 52 | 1 | YOKE, SAFETY |
| 53 | 1 | TIP, YOKE |

VALVE ASSEMBLY — PART NO. 2694910 (SCHEMATIC NO. 75A)

| SCHEMATIC NO. | QTY | DESCRIPTION |
|---------------|-----|-----------------------------|
| 75 | 1 | HOUSING VALVE |
| 76 | 1 | O-RING, VALVE HOUSING |
| 77 | 1 | O-RING, SMALL VALVE HOUSING |
| 78 | 1 | STEM, VALVE |
| 79 | 1 | O-RING, VALVE STEM |
| 80 | 1 | O-RING, VALVE STEM |
| 81 | 1 | SPRING, VALVE PIN |
| 82 | 1 | O-RING, SMALL VALVE PIN |
| 83 | 1 | PIN, VALVE |
| 84 | 1 | O-RING, VALVE PIN |
| 85 | 1 | O-RING, SMALL VALVE COVER |
| 86 | 1 | O-RING, VALVE COVER |
| 87 | 1 | COVER, VALVE |

ORDER BY FAX OR EMAIL

f: 800-529-8680 e: spcustomer.service@itwserviceparts.com

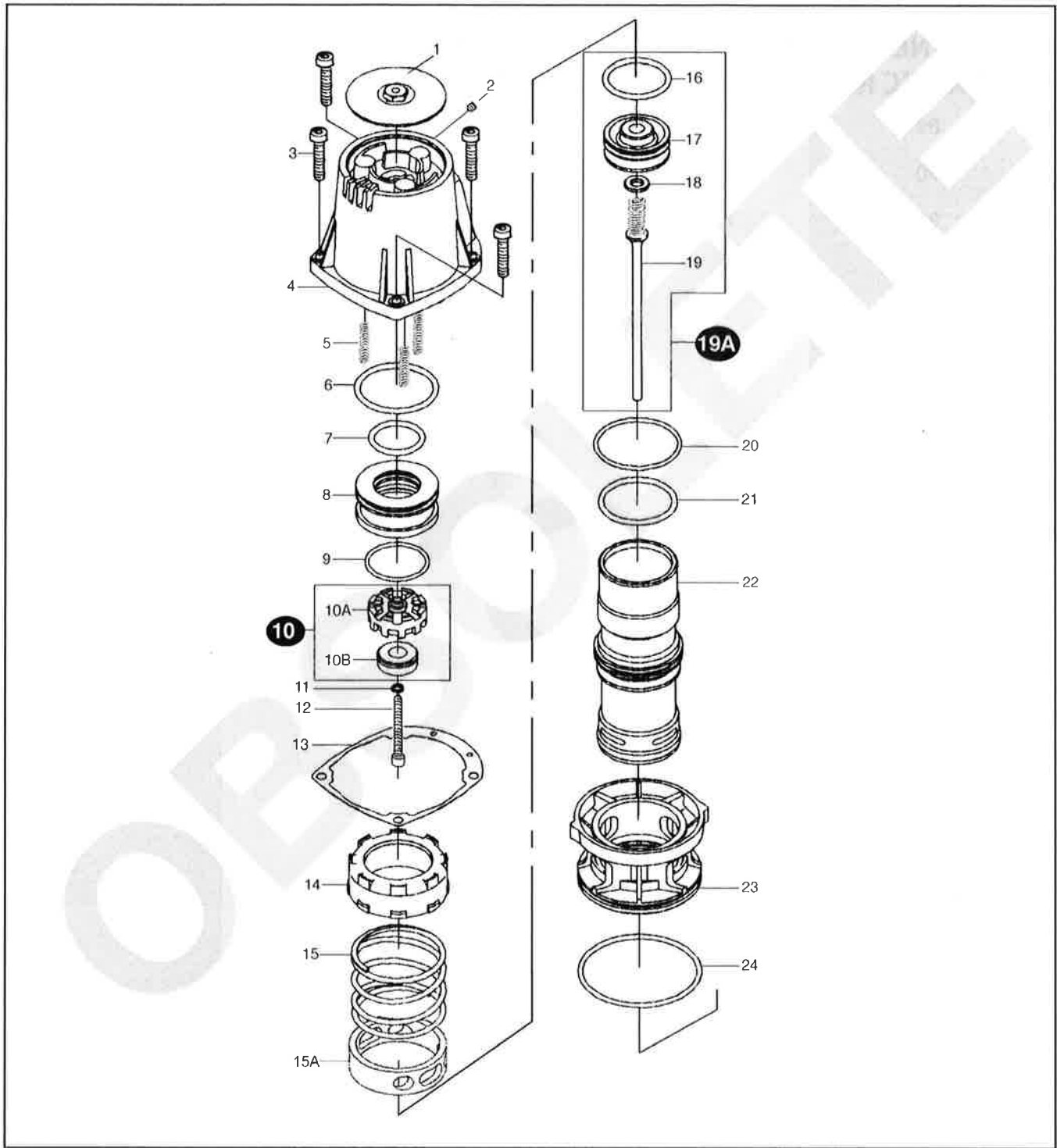
MAGAZINE ASSEMBLY - Part No. 2696910 (Schematic No. 89A)

| SCHEMATIC NO. | QTY | DESCRIPTION |
|----------------------|------------|--------------------|
| 89 | 1 | DOOR, MAGAZINE |
| 90 | 1 | MAGAZINE |
| 91 | 1 | PIN, HINGE |
| 92 | 1 | E-RING, HINGE PIN |

OBSOLETE

ORDER BY FAX OR EMAIL

f: 800-529-8680 e: spcustomer.service@itwserviceparts.com



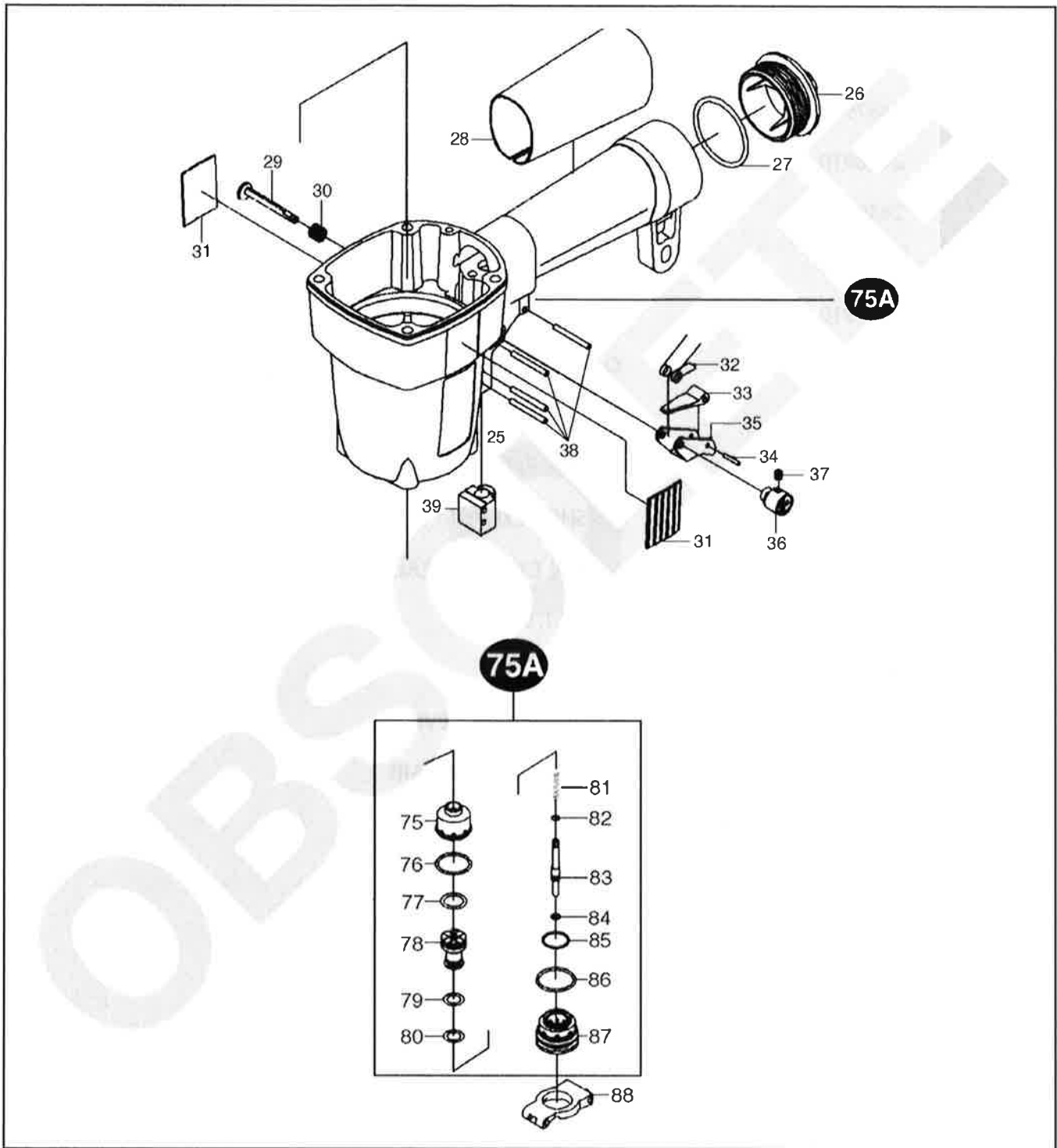
ORDER BY FAX OR EMAIL

f: 800-529-8680 e: spcustomer.service@itwserviceparts.com

| KEY | PART NO. | DESCRIPTION |
|------------|-----------------|------------------------------------|
| 1 | 2597910 | BUSHING/PLATE EXHAUST |
| 2 | 2437910 | SET SCREW |
| 3 | 2438910 | SCREW, CAP HD AIR (4 REQ'D) |
| 4 | 2439910 | CAP HD AIR |
| 5 | 2600910 | SPRING (3 REQ'D) |
| 6 | 2601910 | O-RING, LARGE POPPET |
| 7 | 2602910 | O-RING, SMALL POPPET |
| 8 | 2603910 | POPPET |
| 9 | 2604910 | O-RING, EXHAUST SEAL |
| 11 | 2606910 | WASHER, EXHAUST SEAL |
| 12 | 2607910 | SCREW, EXHAUST SEAL |
| 13 | 2608910 | GASKET, CAP |
| 14 | 2609910 | SLEEVE, SEAL |
| 15 | 2610910 | SPRING, SEAL SLEEVE |
| 15A | 2441910 | EXHAUST RING, HD AIR |
| 16 | 2611910 | O-RING, PISTON |
| 20 | 2616910 | O-RING, LARGE CYLINDER |
| 21 | 2617910 | O-RING, SMALL CYLINDER |
| 22 | 2445910 | CYLINDER HD AIR |
| 23 | 2619910 | RING, CYLINDER |
| 24 | 2620910 | O-RING, CYLINDER RING |

ORDER BY FAX OR EMAIL

f: 800-529-8680 e: spcustomer.service@itwserviceparts.com



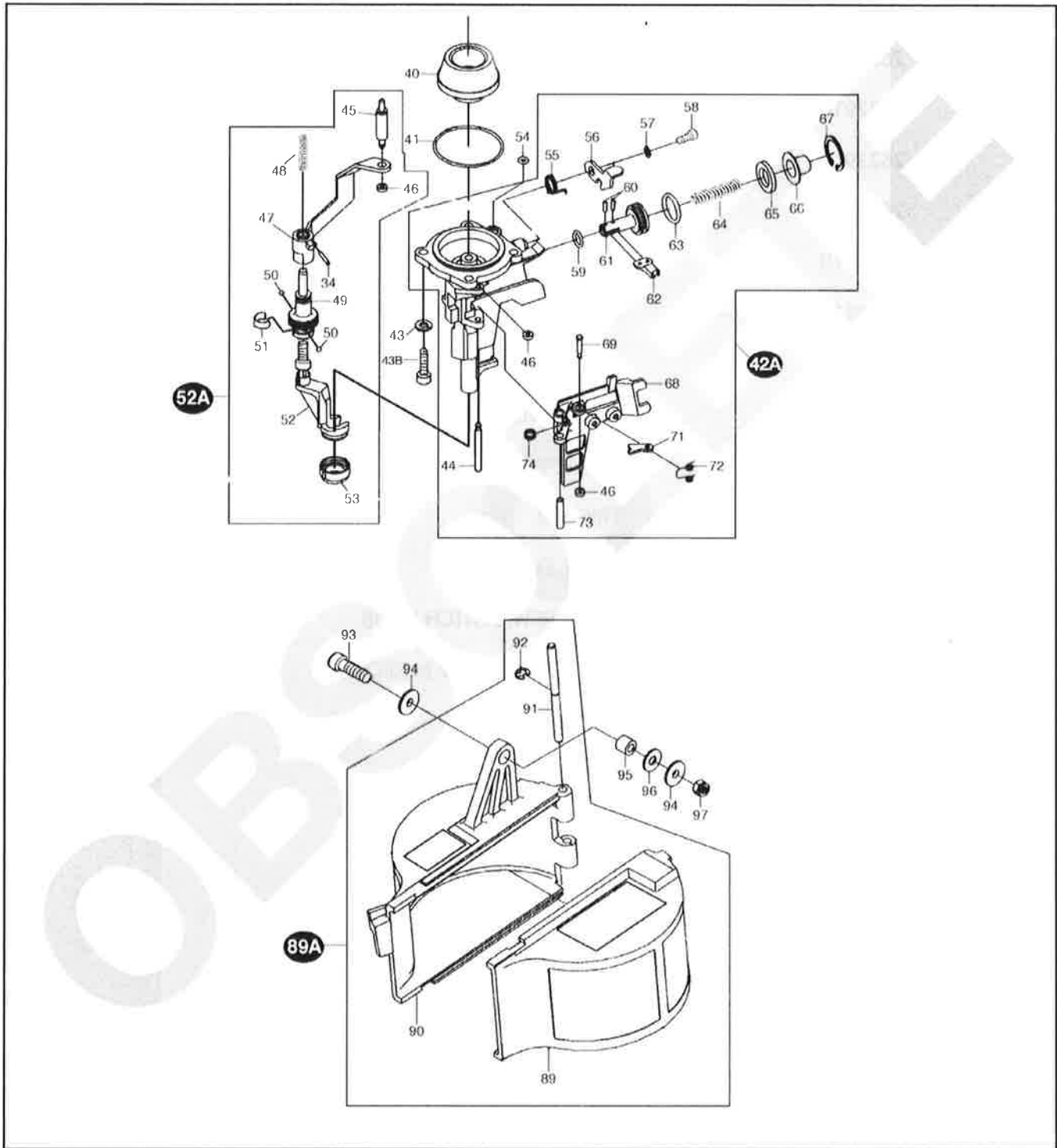
ORDER BY FAX OR EMAIL

f: 800-529-8680 e: spcustomer.service@itwserviceparts.com

| KEY | PART NO. | DESCRIPTION |
|------------|-----------------|----------------------------|
| 25 | 2621910 | HANDLE |
| 26 | 2622910 | CAP, REAR |
| 27 | 2623910 | O-RING, REAR CAP |
| 28 | 2624910 | COVER, GRIP |
| 29 | 2625910 | PIN, TRIGGER |
| 30 | 2626910 | SPRING, TRIGGER PIN |
| 31 | 2627910 | COVER, SIDE |
| 32 | 2628910 | SPRING, TORSION, TRIGGER |
| 33 | 2629910 | LEVER, TRIP |
| 35 | 2631910 | TRIGGER |
| 36 | 2632910 | KNOB, SWITCH |
| 37 | 2633910 | SET SCREW, SWITCH KNOB |
| 38 | 2634910 | ROLL PIN, HANDLE (4 REQ'D) |
| 39 | 2635910 | ROD GUIDE |
| 88 | 2684910 | PLATE, TRIGGER |

ORDER BY FAX OR EMAIL

f: 800-529-8680 e: spcustomer.service@itwserviceparts.com



ORDER BY FAX OR EMAIL

f: 800-529-8680 e: spcustomer.service@itwserviceparts.com

| KEY | PART NO. | DESCRIPTION |
|-----|----------|--------------------------------|
| 40 | 2636910 | BUMPER |
| 41 | 2637910 | O-RING, NOSE |
| 43 | 2639910 | WASHER (4 REQ'D) |
| 43B | 2450910 | SCREW, HD AIR (4 REQ'D) |
| 44 | 2640910 | PIN, GATE |
| 46 | 2666910 | WASHER, URETHANE |
| 50 | 2646910 | BALL BEARINGS (PKG OF 2) |
| 51 | 2647910 | BAND RETAINER |
| 53 | 2649910 | TIP, YOKE |
| 54 | 2650910 | O-RING, ROD GUIDE |
| 55 | 2651910 | TORSION SPRING, LATCH |
| 56 | 2652910 | LATCH |
| 57 | 2653910 | WASHER, LATCH |
| 58 | 2654910 | SCREW, LATCH |
| 59 | 2655910 | SMALL FEED PISTON O-RING |
| 60 | 2656910 | ROLL PIN, FEED PISTON |
| 61 | 2657910 | PISTON, FEED |
| 62 | 2658910 | TIP, FEED |
| 63 | 2659910 | LARGE FEED PISTON O-RING |
| 64 | 2660910 | SPRING, FEED PISTON |
| 65 | 2661910 | CUSHION, FEED |
| 66 | 2662910 | COVER, FEED |
| 67 | 2663910 | RING, STOP |
| 68 | 2664910 | GATE |
| 69 | 2665910 | PIN, GATE |
| 71 | 2667910 | TIP, BACKUP |
| 72 | 2668910 | SPRING, BACKUP TIP |
| 73 | 2669910 | SPACER, GATE |
| 74 | 2670910 | TORSION SPRING, GATE |
| 93 | 2689910 | SCREW, MAGAZINE |
| 94 | 2690910 | WASHER |
| 95 | 2691910 | SPACER, GATE |
| 96 | 2692910 | WASHER, RUBBER |
| 97 | 2693910 | NUT |

ORDER BY FAX OR EMAIL

f: 800-529-8680 e: spcustomer.service@itwserviceparts.com

OVERHAUL O-RING KIT — PART NO. 2699910

| SCHEMATIC NO. | QTY | DESCRIPTION |
|----------------------|------------|---------------------------|
| 6 | 1 | O-RING, LARGE POPPET |
| 7 | 1 | O-RING, SMALL POPPET |
| 9 | 1 | O-RING, EXHAUST SEAL |
| 16 | 1 | O-RING, PISTON |
| 20 | 1 | O-RING, LARGE CYLINDER |
| 21 | 1 | O-RING, SMALL CYLINDER |
| 24 | 1 | O-RING, CYLINDER RING |
| 59 | 1 | O-RING, SMALL FEED PISTON |
| 63 | 1 | O-RING, LARGE FEED PISTON |

EXHAUST ASSEMBLY — Part No. 2695910 (SCHEMATIC No. 10)

| SCHEMATIC NO. | QTY | DESCRIPTION |
|----------------------|------------|--------------------|
| 10A | 1 | SEAL, EXHAUST |
| 10B | 1 | CUSHION |

PISTON ASSEMBLY — PART NO. 2458910 (SCHEMATIC NO. 19A HD)

| SCHEMATIC NO. | QTY | DESCRIPTION |
|----------------------|------------|-----------------------------|
| 16 | 1 | O-RING, PISTON HD AIR |
| 17 | 1 | PISTON HD AIR |
| 18 | 1 | WASHER, PISTON |
| 19 | 1 | DRIVER BLADE, PISTON HD AIR |

ORDER BY FAX OR EMAIL

f: 800-529-8680 e: spcustomer.service@itwserviceparts.com

**NOSE ASSEMBLY - PART NO. 2448910 (SCHEMATIC NO. 42A HD)
SCHEMATIC NO. QTY DESCRIPTION**

| | | |
|----|---|--------------------------|
| 44 | 1 | PIN, GATE |
| 46 | 1 | WASHER, URETHANE |
| 55 | 1 | TORSION SPRING, LATCH |
| 56 | 1 | LEVER, MAGAZINE |
| 57 | 1 | WASHER, LATCH |
| 58 | 1 | SCREW, LATCH |
| 59 | 1 | SMALL FEED PISTON O-RING |
| 60 | 2 | ROLL PIN, FEED PISTON |
| 61 | 1 | PISTON FEED |
| 62 | 1 | TIP-FEED |
| 63 | 1 | O-RING, LARGE |
| 64 | 1 | SPRING, FEED PISTON |
| 65 | 1 | CUSHION, FEED |
| 66 | 1 | COVER, FEED |
| 67 | 1 | RING, STOP |
| 68 | 1 | GATE |
| 69 | 1 | PIN, GATE |
| 71 | 1 | TIP, BACKUP |
| 72 | 1 | SPRING, BACKUP TIP |
| 73 | 1 | SPACER, GATE |
| 74 | 1 | TORSION SPRING, GATE |

ORDER BY FAX OR EMAIL

f: 800-529-8680 e: spcustomer.service@itwserviceparts.com

SAFETY YOKE ASSEMBLY — PART NO. 2459910 (SCHEMATIC NO. 52A HD)

| SCHEMATIC NO. | QTY | DESCRIPTION |
|---------------|-----|--------------------------|
| 34 | 1 | ROLL PIN |
| 45 | 1 | ROD, TRIGGER |
| 46 | 1 | WASHER, TRIGGER ROD |
| 47 | 1 | YOKE, UPPER HD AIR |
| 48 | 1 | SPRING, UPPER YOKE |
| 49 | 1 | KNOB, ADJUSTMENT |
| 50 | 2 | BALL BEARINGS, ADJ. KNOB |
| 51 | 1 | BAND RETAINER |
| 52 | 1 | YOKE, SAFETY HD AIR |
| 53 | 1 | TIP, YOKE |

VALVE ASSEMBLY — PART NO. 2694910 (SCHEMATIC NO. 75A HD)

| SCHEMATIC NO. | QTY | DESCRIPTION |
|---------------|-----|-----------------------------|
| 75 | 1 | HOUSING VALVE |
| 76 | 1 | O-RING, VALVE HOUSING |
| 77 | 1 | O-RING, SMALL VALVE HOUSING |
| 78 | 1 | STEM, VALVE |
| 79 | 1 | O-RING, VALVE STEM |
| 80 | 1 | O-RING, VALVE STEM |
| 81 | 1 | SPRING, VALVE PIN |
| 82 | 1 | O-RING, SMALL VALVE PIN |
| 83 | 1 | PIN, VALVE |
| 84 | 1 | O-RING, VALVE PIN |
| 85 | 1 | O-RING, SMALL VALVE COVER |
| 86 | 1 | O-RING, VALVE COVER |
| 87 | 1 | COVER, VALVE |

ORDER BY FAX OR EMAIL

f: 800-529-8680 e: spcustomer.service@itwserviceparts.com

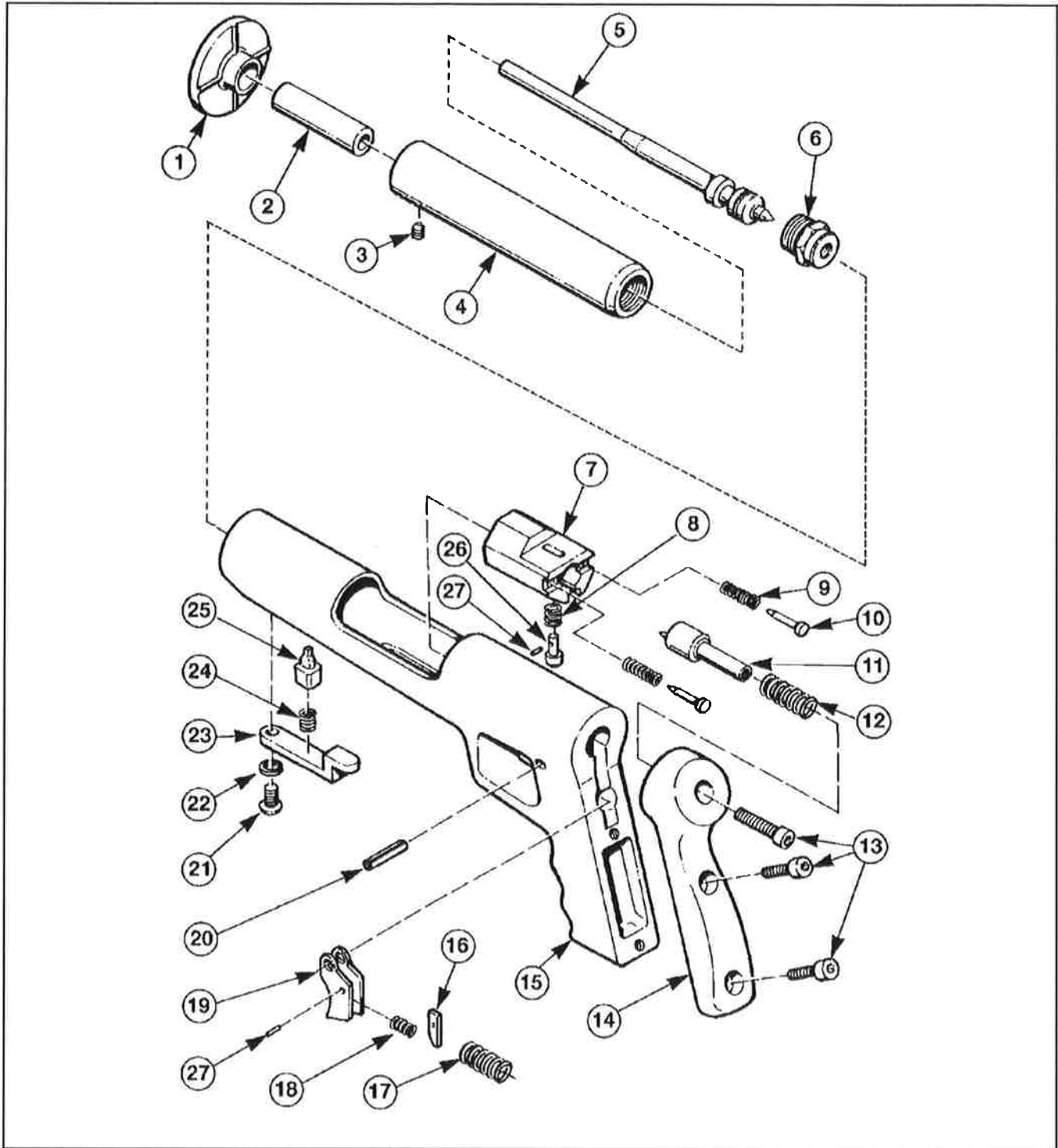
**MAGAZINE ASSEMBLY - Part No. 2696910 (Schematic No. 89A HD)
SCHEMATIC NO. QTY DESCRIPTION**

| | | |
|----|---|-------------------|
| 89 | 1 | DOOR, MAGAZINE |
| 90 | 1 | MAGAZINE |
| 91 | 1 | PIN, HINGE |
| 92 | 1 | E-RING, HINGE PIN |

OBSOLETE

ORDER BY FAX OR EMAIL

f: 800-529-8680 e: spcustomer.service@itwserviceparts.com

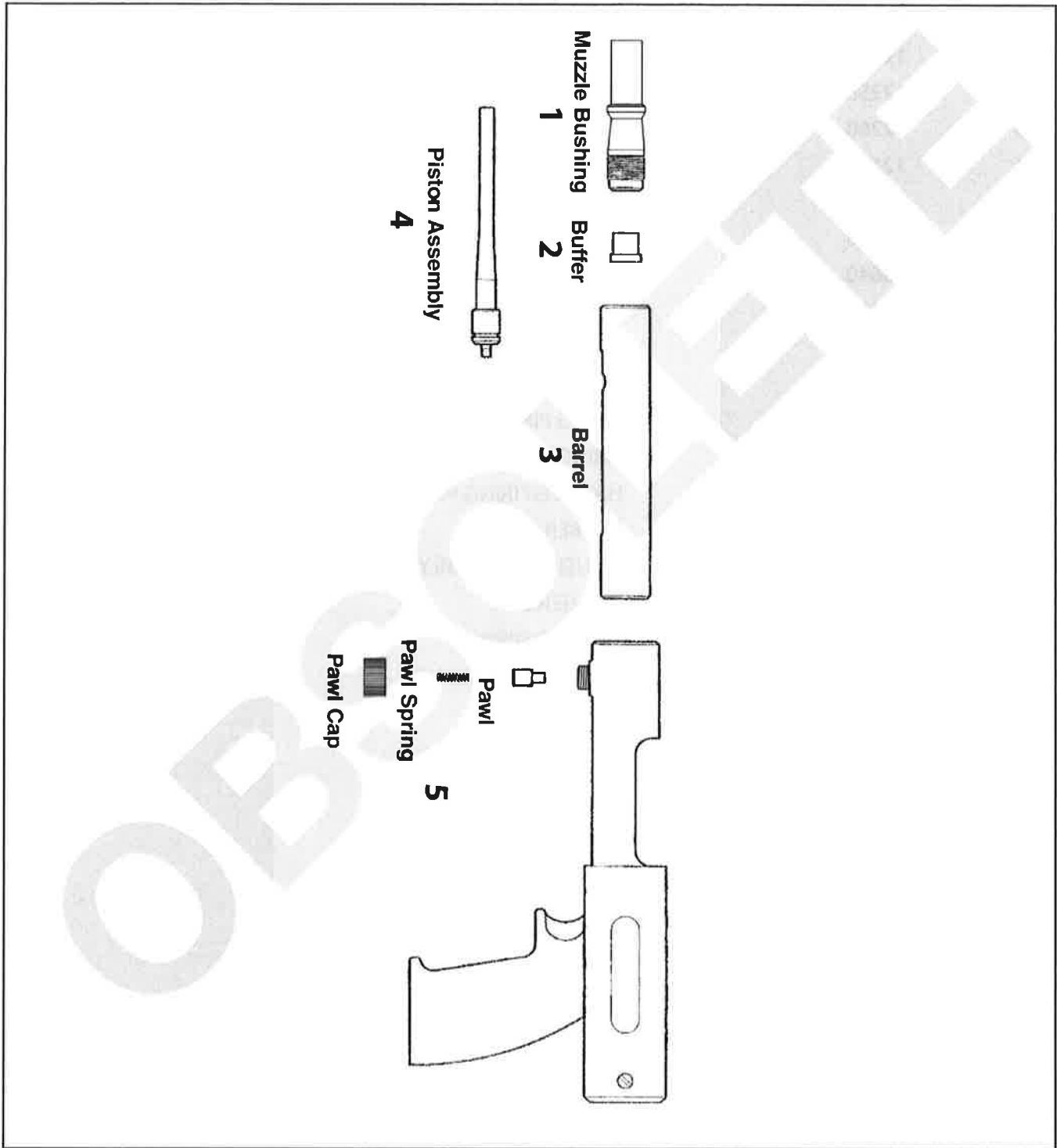


ORDER BY FAX OR EMAIL

f: 800-529-8680 e: spcustomer.service@itwserviceparts.com

| KEY | PART NO. | DESCRIPTION |
|------------|-----------------|---------------------------|
| 1 | 12266 | SPALL GUARD |
| 2 | 12258 | BARREL EXTENSION |
| 3 | 12260 | BARREL EXTENSION SCREW |
| 4 | 12108 | BARREL ASSEMBLY |
| 5 | 33657 | PISTON /RING ASSEMBLY |
| 6 | 33650 | BREECH PLUG |
| 7 | 33640 | BREECH BLOCK |
| 8 | 33659 | SEAR SPRING |
| 9 | 33642 | BREECH BLOCK SPRING |
| 10 | 33641 | BREECH BLOCK SPRING PIN |
| 11 | 12085 | FIRING PIN |
| 12 | 33658 | FIRING PIN SPRING |
| 13 | 33674 | HANDLE/FIRING PIN SCREW |
| 14 | 81681 | RUBBER HANDLE |
| 15 | 22101 | HOUSING ASSEMBLY |
| 16 | 33667 | TRIGGER BAR |
| 17 | 33647 | TRIGGER SPRING |
| 18 | 33668 | TRIGGER BAR SPRING |
| 19 | 33646 | TRIGGER |
| 20 | 12476 | TRIGGER ROLL PIN |
| 21 | 22798 | STOP PIN COVER SCREW |
| 22 | 22790 | LOCK WASHER |
| 23 | 22088 | STOP PIN COVER |
| 24 | 12388 | STOP PIN SPRING |
| 25 | 33645 | STOP PIN |
| 26 | 81649 | SEAR |
| 27 | 33671 | SEAR/TRIGGER BAR ROLL PIN |
| 30 | 33679 | RUBBER BUMPER NOT SHOWN |
| — | 309020 | DANGER LABEL |

ORDER BY FAX OR EMAIL**f: 800-529-8680 e: spcustomer.service@itwserviceparts.com**



ORDER BY FAX OR EMAIL

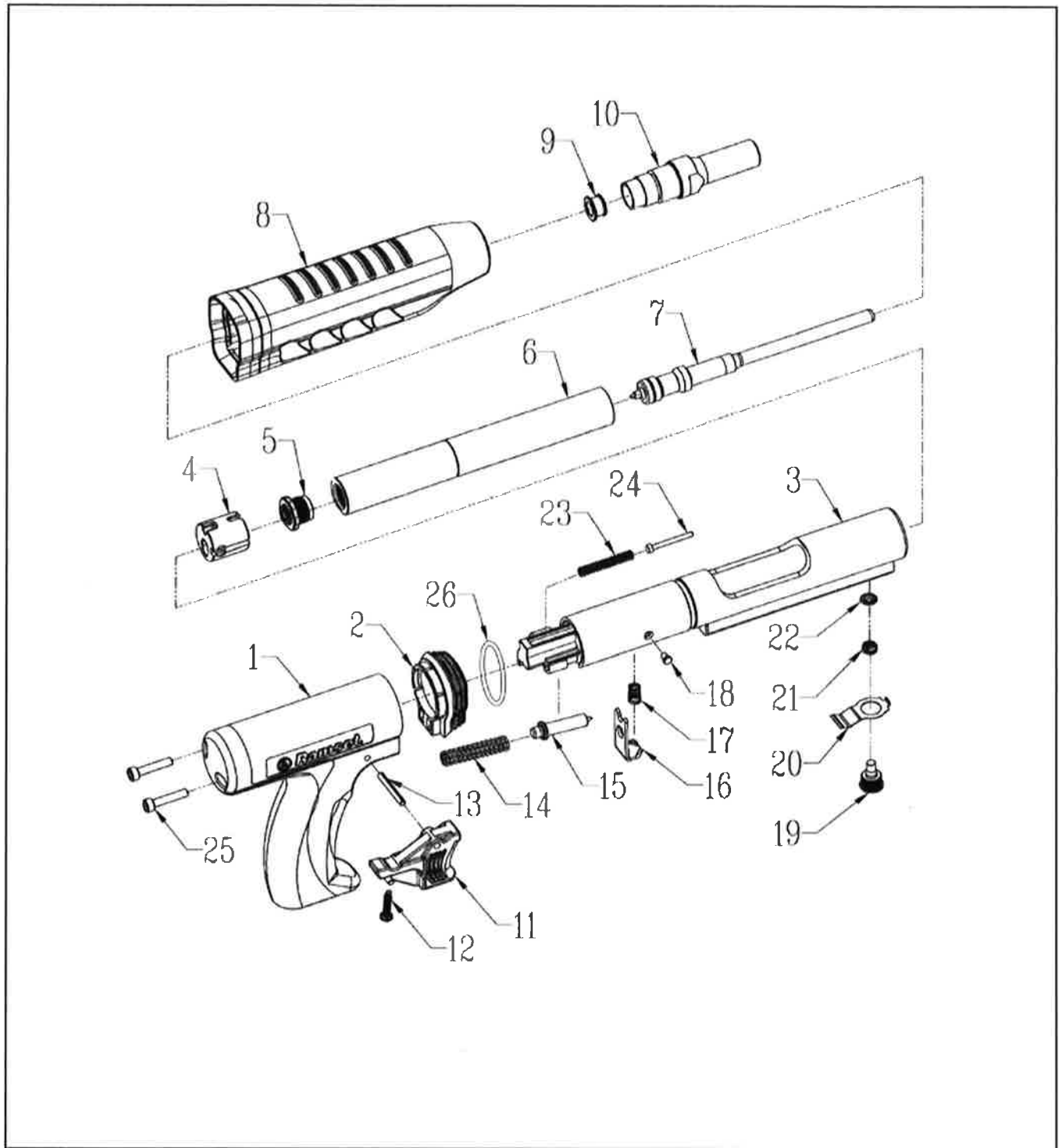
f: 800-529-8680 e: spcustomer.service@itwserviceparts.com

| KEY | PART NO | DESCRIPTION |
|------------|----------------|--------------------|
| 1 | 250501 | MUZZLE BUSHING |
| 2 | 250502 | BUFFER |
| 3 | 250300 | BARREL |
| 4 | 250400 | PISTON ASSEMBLY |
| 5 | 250700 | PAWL ASSEMBLY |
| 6 | 250704 | SPALL GUARD |

OBSOLETE

ORDER BY FAX OR EMAIL

f: 800-529-8680 e: spcustomer.service@itwserviceparts.com

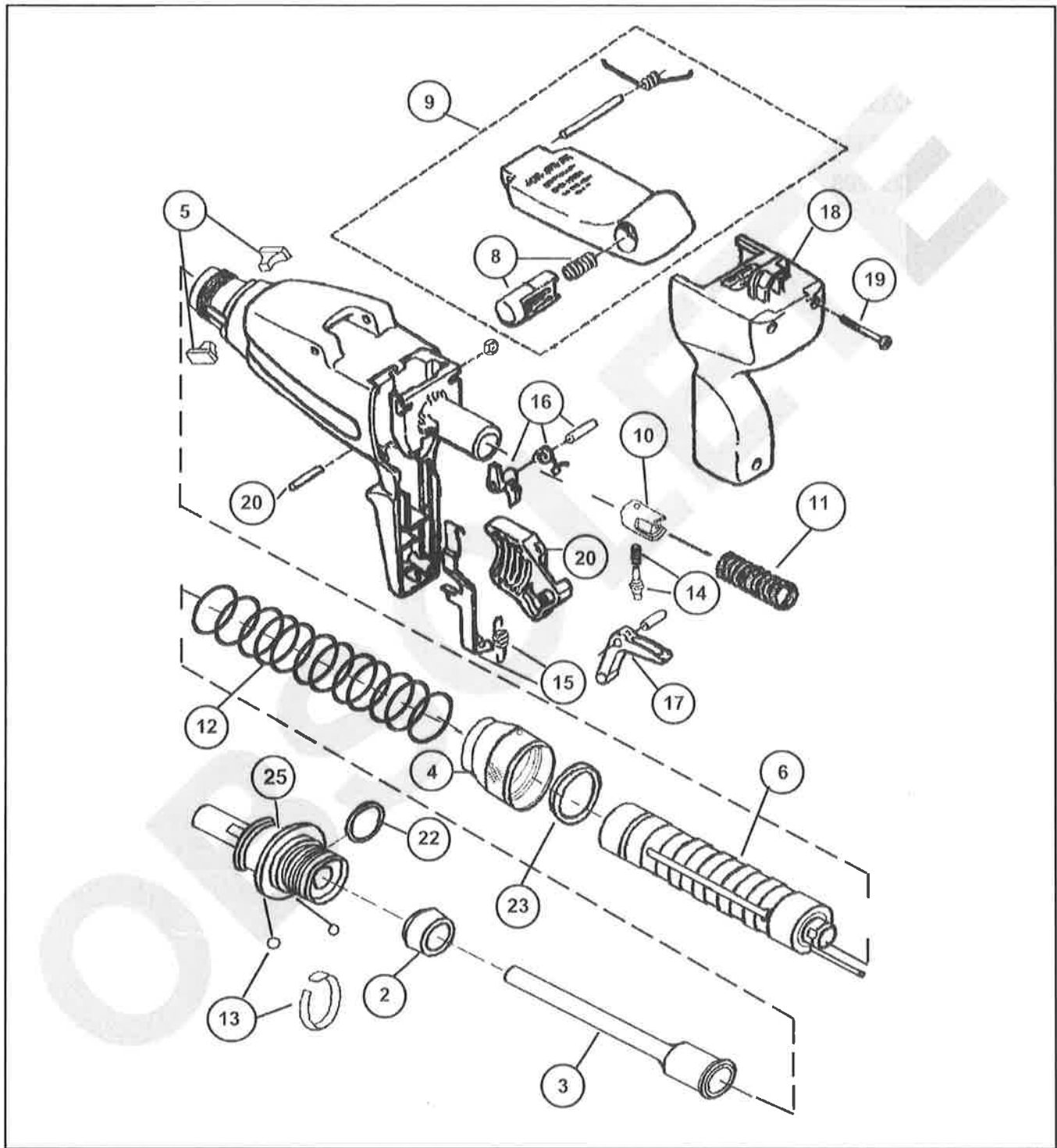


ORDER BY FAX OR EMAIL

f: 800-529-8680 e: spcustomer.service@itwserviceparts.com

| KEY | PART NO | DESCRIPTION |
|------------|----------------|--------------------|
| 7 | 235320 | PISTON ASSEMBLY |
| 9 | 235332 | BUFFER |
| 10 | 235331 | MUZZLE BUSHING |
| 19 | 235208 | PAWL |

ORDER BY FAX OR EMAIL**f: 800-529-8680 e: spcustomer.service@itwserviceparts.com**



ORDER BY FAX OR EMAIL

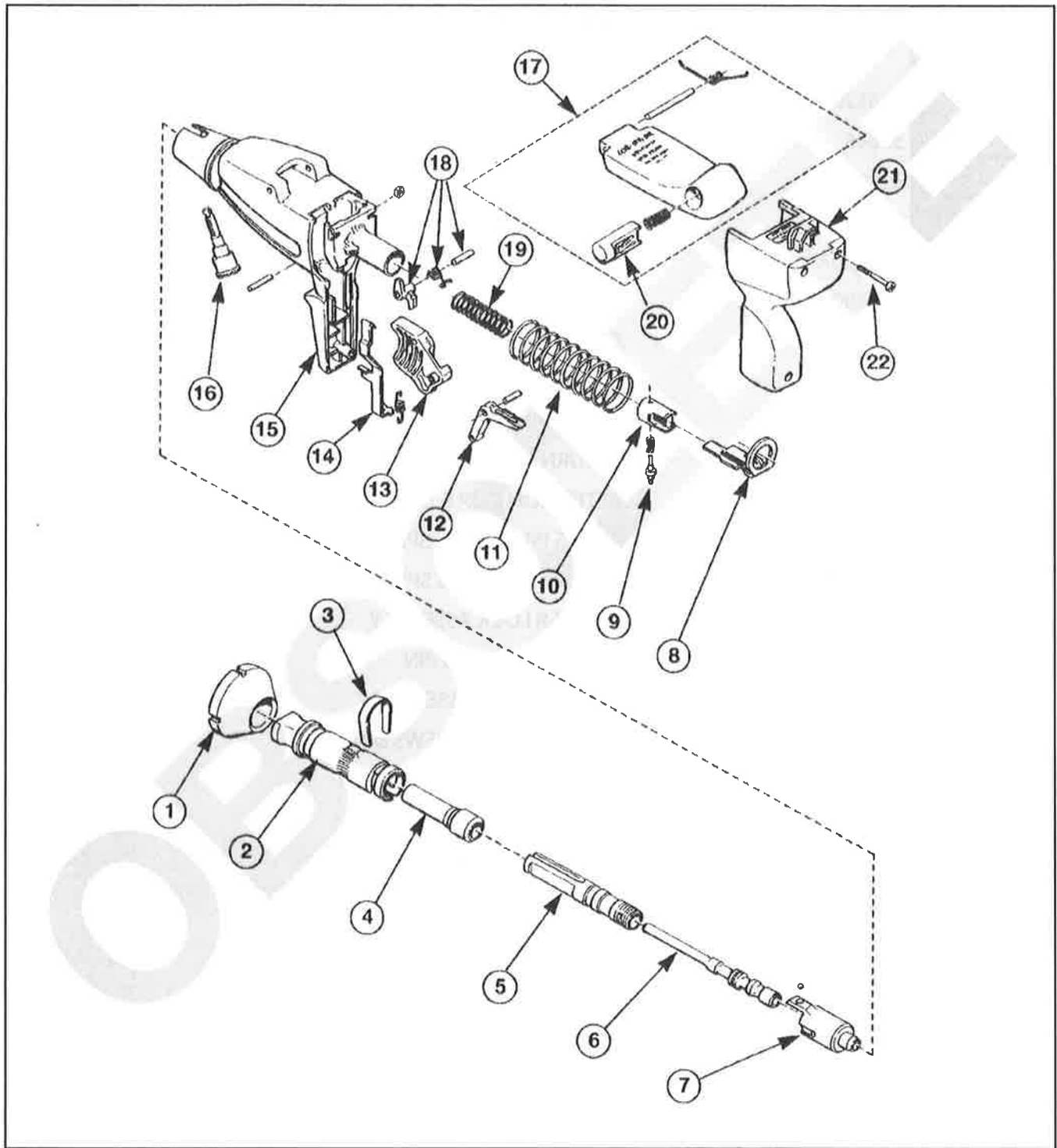
f: 800-529-8680 e: spcustomer.service@itwserviceparts.com

| KEY | PART NO. | DESCRIPTION |
|-----|----------|-------------------------------|
| 2 | 316520 | BUFFER (PKG. OF 3) |
| 3 | 30645 | PISTON |
| 4 | 323020MA | BARREL RETENTION COLLAR ASSY. |
| 5 | 316540 | PAWL (PKG. OF 2) |
| 6 | 323390A | BARREL ASSEMBLY |
| 8 | 308490 | LATCH BUTTON ASSEMBLY |
| 9 | 13510 | COVER ASSEMBLY |
| 10 | 307890 | FIRING PIN ASSEMBLY |
| 11 | 13513 | FIRING PIN SPRING |
| 12 | 335175M | RETURN SPRING |
| 13 | 323050A | RETENTION CLIP & BEARINGS |
| 14 | 316570 | FIRING PIN PAWL & SPRING |
| 15 | 13518 | INDEXING LEVER & SPRING |
| 16 | 13516 | TRIGGER LOCK ASSEMBLY |
| 17 | 316580 | SEAR ASSEMBLY & PIN |
| 18 | 309280 | REAR HANDLE ASSEMBLY |
| 19 | 308860 | REAR HANDLE SCREWS & NUTS |
| 20 | 13509 | TRIGGER & PIN |
| 21 | 12266 | SPALL GUARD NOT SHOWN |
| 22 | 351000 | MUZZLE BUSHING O RING |
| 23 | 351001 | RETENTION SLEEVE O RING |
| 25 | 323110 | MUZZLE BUSHING SHROUD |
| — | 309020 | DANGER LABEL, BLACK |

The Receiver Assembly is not available as a spare part.

ORDER BY FAX OR EMAIL

f: 800-529-8680 e: spcustomer.service@itwserviceparts.com



ORDER BY FAX OR EMAIL

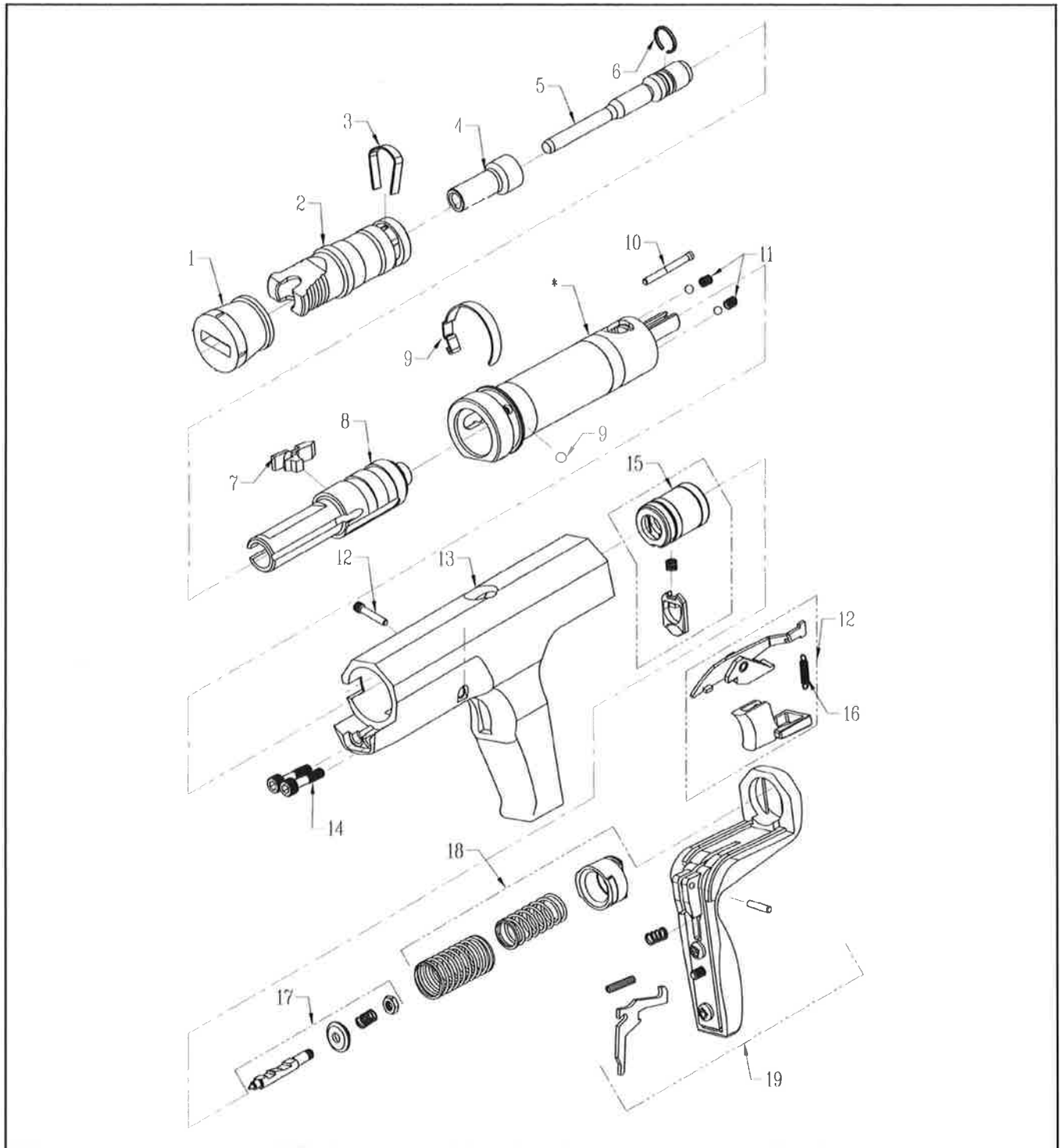
f: 800-529-8680 e: spcustomer.service@itwserviceparts.com

| KEY | PART NO. | DESCRIPTION |
|------------|-----------------|------------------------------------|
| 1 | 5466405 | SPALL GUARD |
| 2 | 13500 | OUTER BARREL SHROUD (FRONT BARREL) |
| 3 | 135010 | OUTER BARREL CLIP (PKG. OF 3) |
| 4 | 30663 | STANDARD MUZZLE BUSHING |
| 5 | 13504 | REAR BARREL |
| 6 | 30691 | PISTON ASSEMBLY |
| 7 | 13505 | LOAD CHAMBER ASSEMBLY |
| 8 | 307920 | COCKING SLIDE |
| 9 | 308870 | FIRING PIN PAWL & SPRING |
| 10 | 307890 | FIRING PIN ASSEMBLY |
| 11 | 13515 | COCKING SLIDE SPRING |
| 12 | 13517 | SEAR ASSEMBLY WITH PIN |
| 13 | 13509 | TRIGGER & PIN |
| 14 | 13518 | LOAD INDEXING LEVER WITH SPRING |
| 16 | 135220 | PAWL ASSEMBLY |
| 17 | 13510 | COVER ASSEMBLY |
| 18 | 13516 | TRIGGER LOCK ASSEMBLY |
| 19 | 13513 | FIRING PIN SPRING |
| 20 | 308490 | LATCH BUTTON ASSEMBLY |
| 21 | 309280 | REAR HANDLE ASSEMBLY |
| 22 | 308860 | REAR HANDLE SCREWS & NUTS |
| 23 | 13521 | BARREL RETENTION BALL & RING |
| — | 309020 | DANGER LABEL, BLACK |

**The Receiver Assembly is not available as a spare part.

ORDER BY FAX OR EMAIL

f: 800-529-8680 e: spcustomer.service@itwserviceparts.com

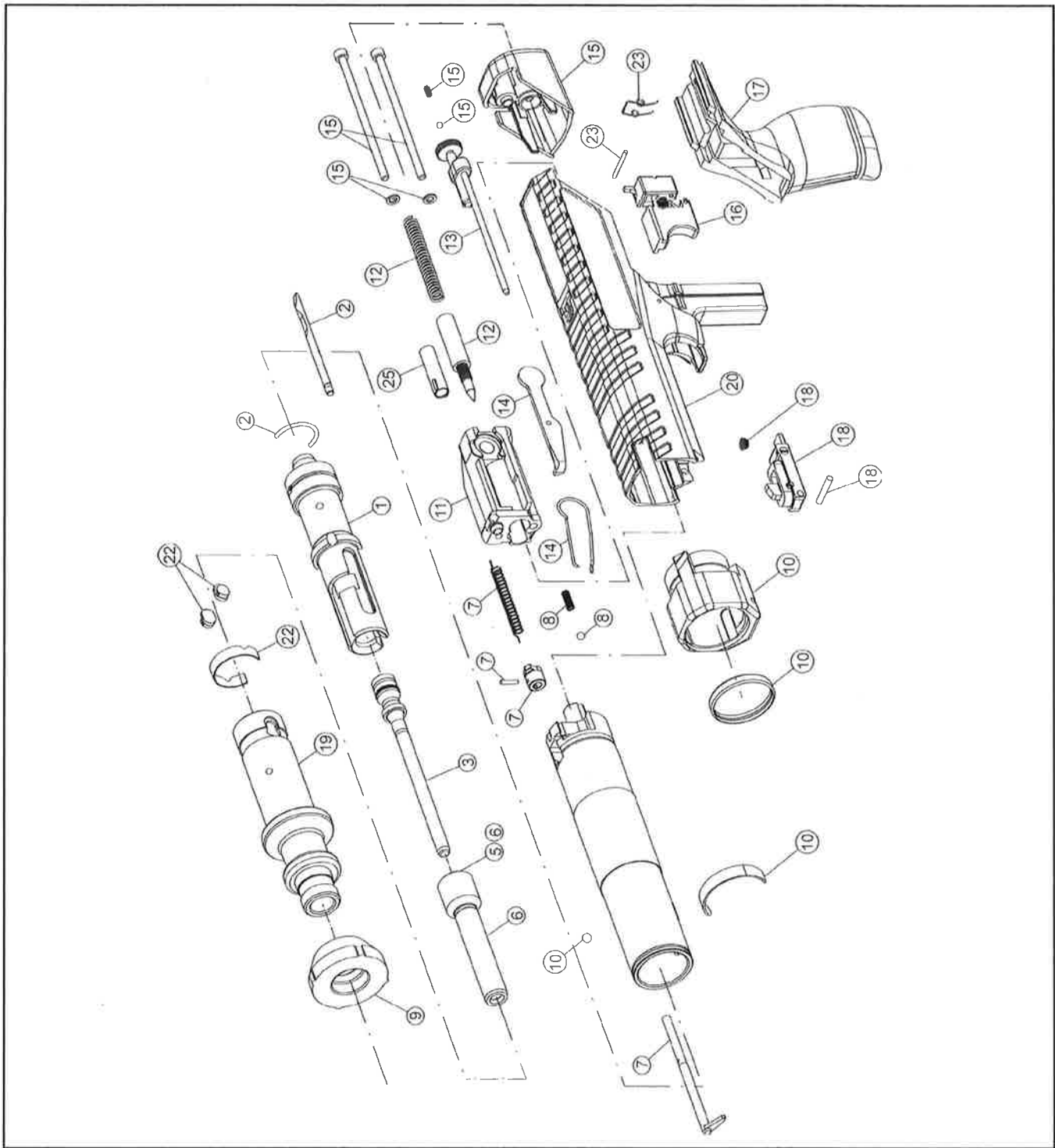


ORDER BY FAX OR EMAIL

f: 800-529-8680 e: spcustomer.service@itwserviceparts.com

| KEY | PART NO. | DESCRIPTION |
|------------|-----------------|-----------------------------|
| 1 | SC306053 | SPALL GUARD |
| 2 | SC326009 | FRONT BARREL (BASEPLATE) |
| 3 | SC301011A | SHEAR CLIP (PKG. OF 3) |
| 4 | SC306010 | FASTENER GUIDE |
| 5 | SC325207A | PISTON ASSEMBLY |
| 6 | SC301208 | PISTON RING |
| 7 | SC306012 | PAWL (STOP) |
| 8 | SC325006 | REAR BARREL (PISTON SLEEVE) |
| 9 | SC306014A | BARREL RETENTION ASSEMBLY |
| 10 | SC301016 | PUSH PIN |
| 11 | SC301046A | DETENT BALL ASSEMBLY |
| 12 | SC301034A | TRIGGER ASSEMBLY AND PIN |
| 13 | SC325001A | TOOL BODY |
| 14 | SC306015 | BOLT (2) |
| 15 | SC301300A | SEAR HOLDER ASSEMBLY |
| 16 | SC301531 | SPRING, ADVANCE BAR |
| 17 | SC301400 | FIRING PIN ASSEMBLY |
| 18 | SC301026A | FIRING PIN SPRING ASSEMBLY |
| 19 | SC301600 | HANDLE ASSEMBLY |
| — | 309020 | DANGER LABEL |

ORDER BY FAX OR EMAIL**f: 800-529-8680 e: spcustomer.service@itwserviceparts.com**



ORDER BY FAX OR EMAIL

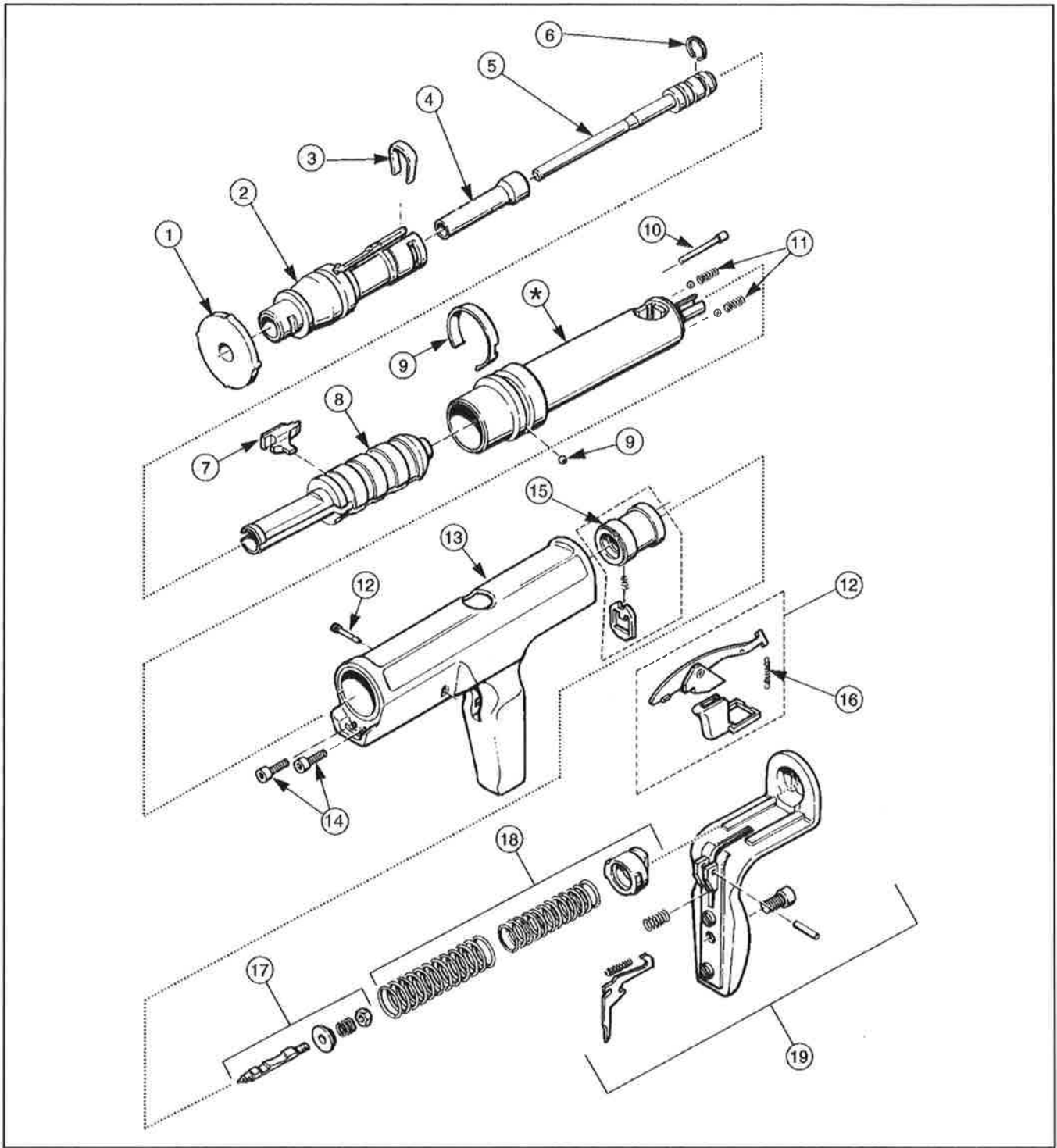
f: 800-529-8680 e: spcustomer.service@itwserviceparts.com

| KEY | PART NO. | DESCRIPTION |
|------------|-----------------|-------------------------------|
| 1 | 28266 | REAR BARREL ASSEMBLY |
| 2 | 27563A | LOAD ADVANCE ROD ASSEMBLY |
| 3 | 27833 | PISTON WITH RING |
| 5 | 27834 | BUFFER (5) |
| 6 | 27831 | MUZZLE BUSHING ASSEMBLY |
| 7 | 28310 | ROTARY SEAR & COCKING ROD KIT |
| 8 | 27524A | STRIP DETENT BALL AND SPRING |
| 9 | 27580 | SPALL GUARD |
| 10 | 27888 | FRONT HOUSING KIT |
| 11 | 28090 | MECHANISM HOUSING |
| 12 | 28157 | FIRING PIN KIT |
| 13 | 28178 | POWER ADJUSTMENT KIT |
| 14 | PA27878 | ADVANCE LEVER KIT |
| 15 | 28135 | END CAP KIT |
| 16 | 27608 | TRIGGER KIT |
| 17 | 28170 | RUBBER HANDLE |
| 18 | 27923 | RETRACTOR KIT |
| 19 | 27664 | FRONT BARREL |
| 20 | 28277 | OUTER HOUSING |
| 22 | 27882 | FRONT BARREL RETAINER KIT |
| 23 | 27516A | TRIGGER PIN & SPRING |
| 25 | A1095 | MECHANISM HOUSING PLUG |

* THE RECEIVER WELDMENT IS NOT AVAILABLE AS A SPARE PART

ORDER BY FAX OR EMAIL

f: 800-529-8680 e: spcustomer.service@itwserviceparts.com



ORDER BY FAX OR EMAIL

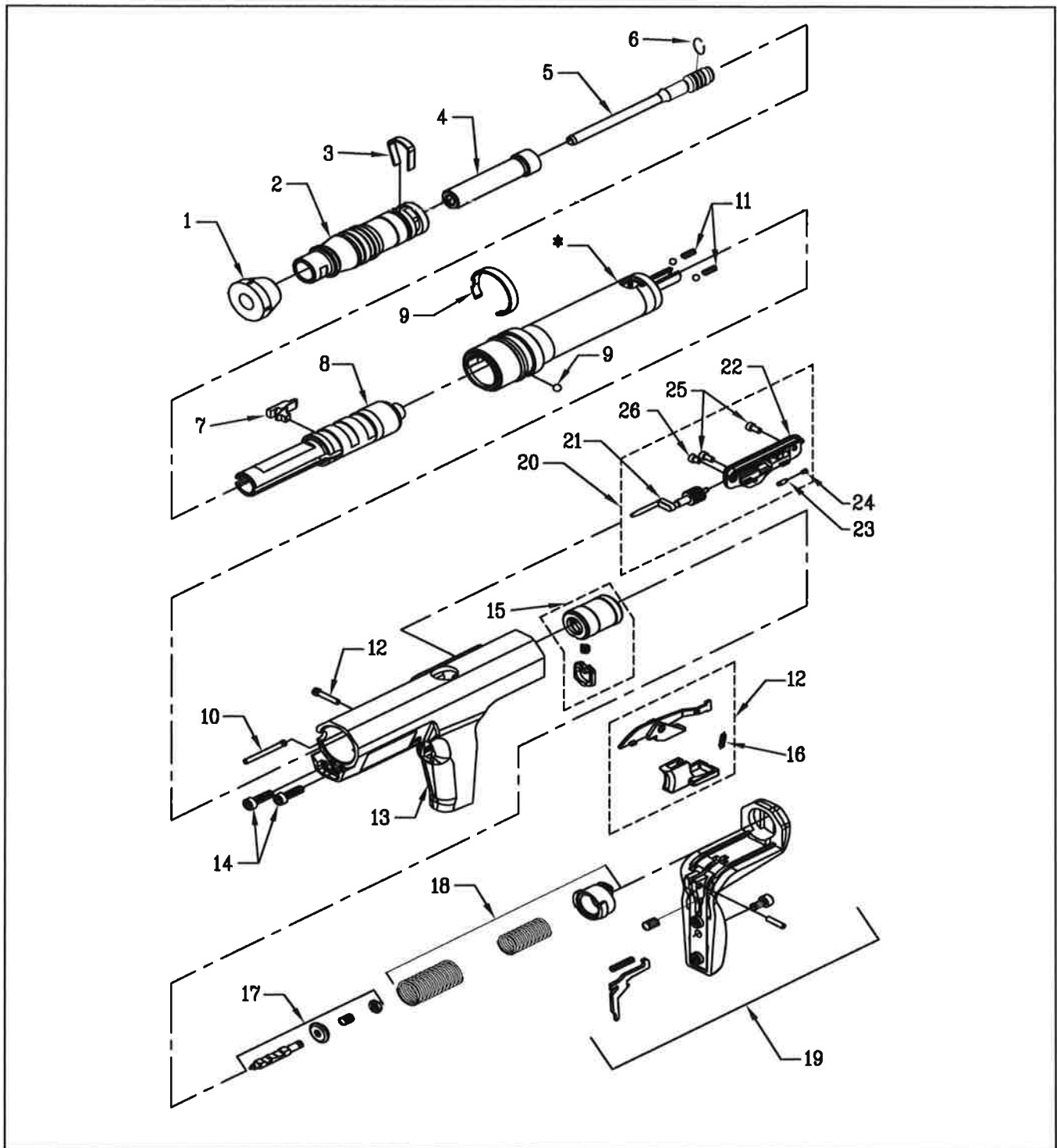
f: 800-529-8680 e: spcustomer.service@itwserviceparts.com

| KEY | PART NO. | DESCRIPTION |
|------------|-----------------|-----------------------------|
| 1 | SC301500 | SPALL GUARD |
| 2 | SC301009 | FRONT BARREL |
| 3 | SC301011A | SHEAR CLIP (PKG. OF 3) |
| 4 | SC301010 | FASTENER GUIDE |
| 5 | SC301200A | PISTON & RING |
| 6 | SC301208 | PISTON RING |
| 7 | SC302012 | PAWL (STOP) |
| 8 | SC301006 | REAR BARREL (PISTON SLEEVE) |
| 9 | SC301014A | BARREL RETENTION ASSEMBLY |
| 10 | SC301016 | PUSH PIN |
| 11 | SC301046A | DETENT BALL ASSEMBLY |
| 12 | SC301034A | TRIGGER ASSEMBLY & PIN |
| 13 | SC301001 | TOOL BODY |
| 14 | SC301113 | BOLT |
| 15 | SC301300A | SEAR HOLDER ASSEMBLY |
| 16 | SC301531 | SPRING, ADVANCE BAR |
| 17 | SC301400 | FIRING PIN |
| 18 | SC301026A | FIRING PIN SPRING ASSEMBLY |
| 19 | SC301600 | HANDLE |
| — | 309020 | DANGER LABEL |

THE BARREL LINER IS NOT AVAILABLE AS A SPARE PART

ORDER BY FAX OR EMAIL

f: 800-529-8680 e: spcustomer.service@itwserviceparts.com



ORDER BY FAX OR EMAIL

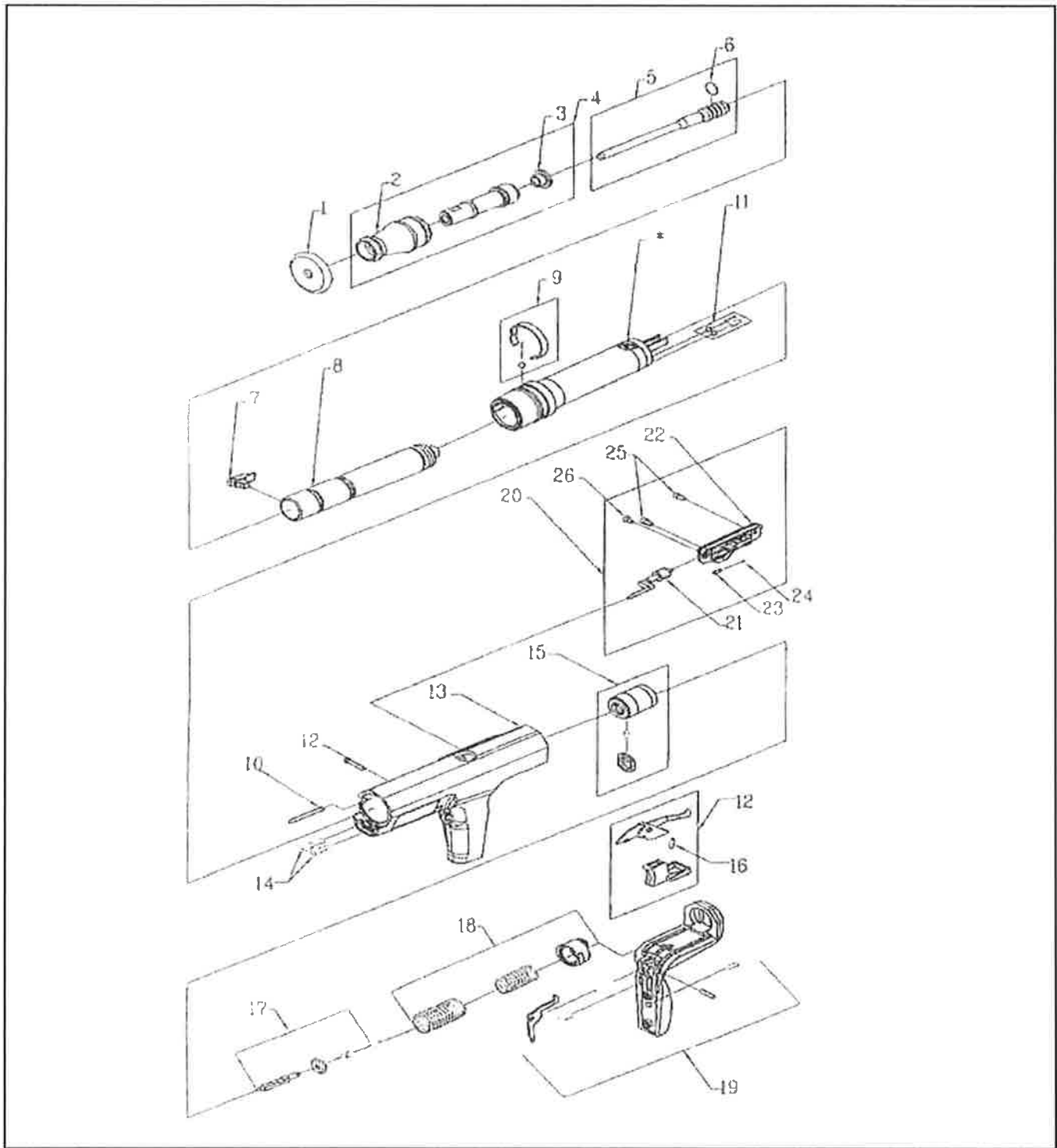
f: 800-529-8680 e: spcustomer.service@itwserviceparts.com

| KEY | PART NO. | DESCRIPTION |
|------------|-----------------|-----------------------------|
| 1 | SC301500 | SPALL GUARD |
| 2 | SC385009 | FRONT BARREL (BASE PLATE) |
| 3 | SC301011A | SHEAR CLIP (PKG. OF 3) |
| 4 | SC301010 | FASTENER GUIDE |
| 5 | SC385903 | PISTON ASSEMBLY W/RING |
| 6 | SC301208 | PISTON RING |
| 8 | SC385006 | REAR BARREL (PISTON SLEEVE) |
| 9 | SC301014A | BARREL RETENTION ASSEMBLY |
| 10 | SC301016 | PUSH PIN |
| 11 | SC301046A | DETENT BALL ASSEMBLY |
| 12 | SC301034A | TRIGGER ASSEMBLY & PIN |
| 14 | SC301113 | BOLT |
| 15 | SC301300A | SEAR HOLDER ASSEMBLY |
| 16 | SC301531 | SPRING, ADVANCE BAR |
| 17 | SC301400 | FIRING PIN |
| 18 | SC301026A | FIRING PIN SPRING ASSEMBLY |
| 19 | SC301600 | HANDLE ASSEMBLY |
| — | 309020 | DANGER LABEL |

THE BARREL LINER IS NOT AVAILABLE AS A SPARE PART

ORDER BY FAX OR EMAIL

f: 800-529-8680 e: spcustomer.service@itwserviceparts.com



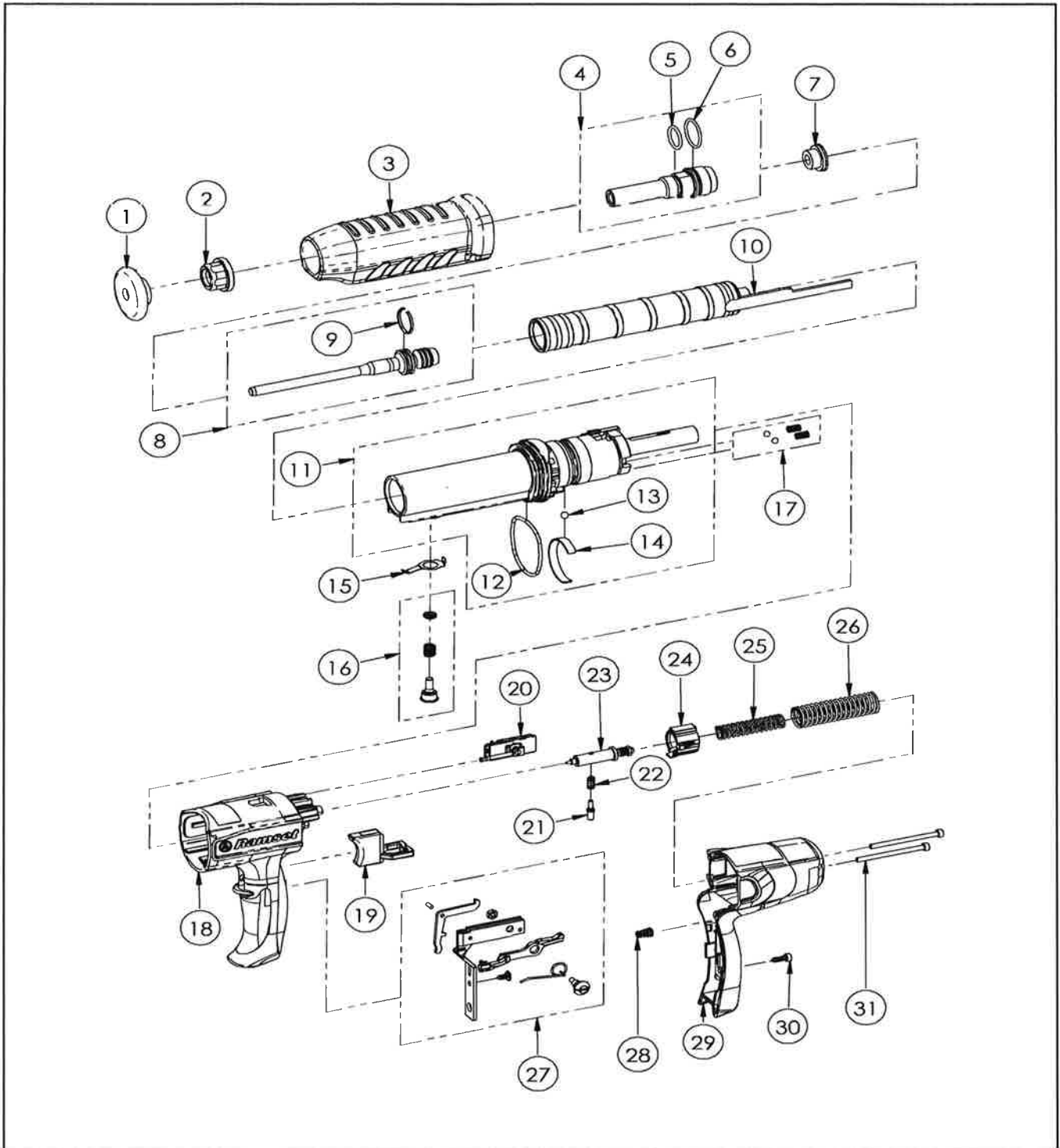
ORDER BY FAX OR EMAIL

f: 800-529-8680 e: spcustomer.service@itwserviceparts.com

| KEY | PART NO. | DESCRIPTION |
|------------|-----------------|----------------------------|
| 3 | SC250502 | PLASTIC BUMPER |
| 4 | SC395330 | FASTENER GUIDE ASSEMBLY |
| 5 | SC395320 | PISTON ASSEMBLY |
| 6 | SC301208 | PISTON RING |
| 8 | SC395301 | BARREL |
| 9 | SC301014A | BARREL RETENTION ASSEMBLY |
| 10 | SC301016 | PUSH PIN |
| 11 | SC301046A | DETENT BALL ASSEMBLY |
| 12 | SC301034A | TRIGGER ASSEMBLY & PIN |
| 14 | SC301113 | BOLT,(2) |
| 15 | SC301300A | SEAR HOLDER ASSEMBLY |
| 16 | SC301531 | SPRING, ADVANCE BAR |
| 17 | SC301400 | FIRING PIN |
| 18 | SC301026A | FIRING PIN SPRING ASSEMBLY |
| 19 | SC301600 | HANDLE ASSEMBLY |
| — | 309020 | DANGER LABEL |

THE BARREL LINER IS NOT AVAILABLE AS A SPARE PART

ORDER BY FAX OR EMAIL**f: 800-529-8680 e: spcustomer.service@itwserviceparts.com**



ORDER BY FAX OR EMAIL

f: 800-529-8680 e: spcustomer.service@itwserviceparts.com

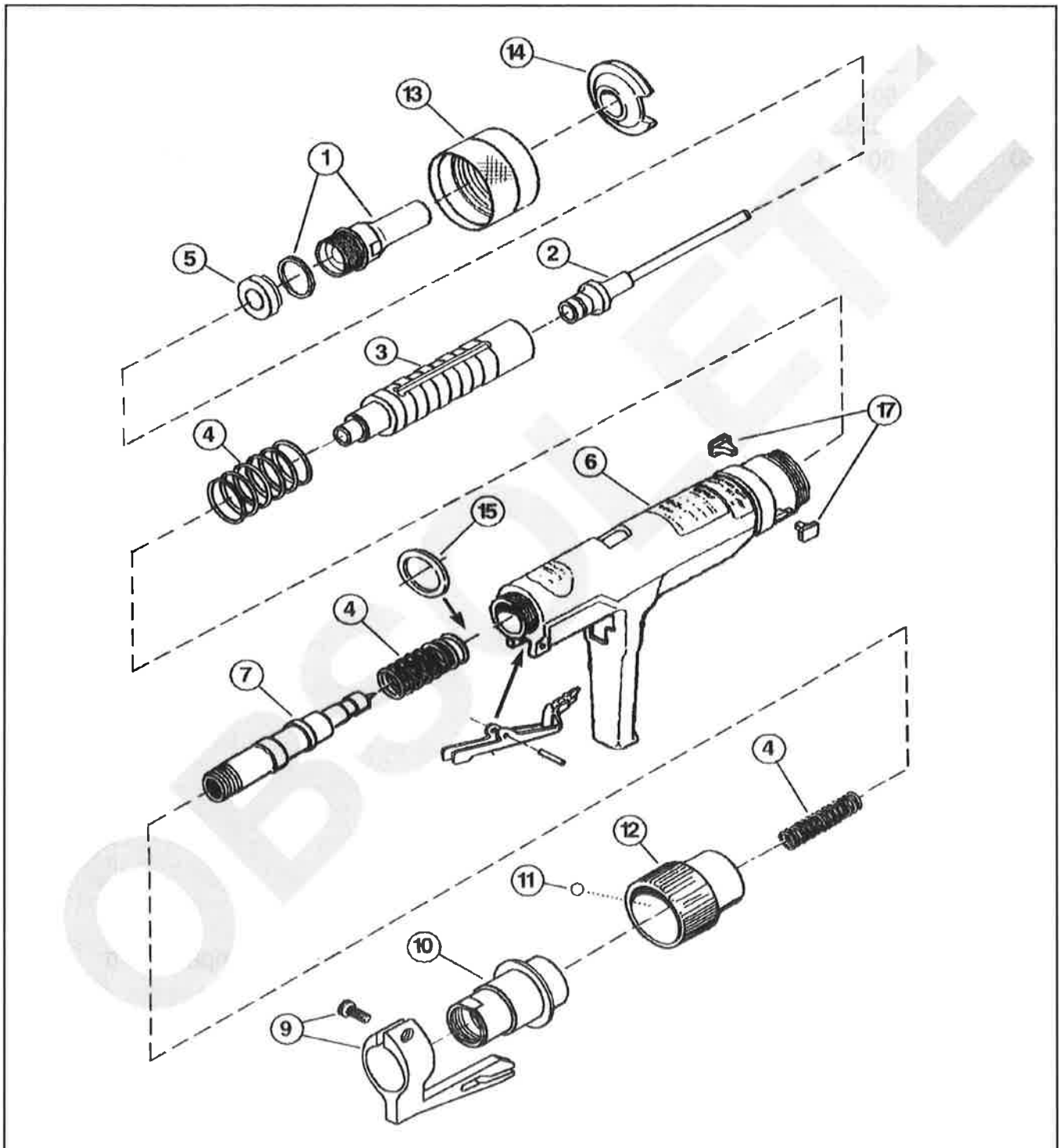
| KEY | PART NO. | DESCRIPTION |
|------------|-----------------|---------------------------|
| 4 | 585330 | FASTENER ASSEMBLY GUIDE* |
| 7 | 501239 | BUFFER* |
| 8 | 585320 | PISTON ASSEMBLY* |
| 30 | 501734 | SHORT SCREW, REAR HANDLE* |

To order parts contact ITW Construction Service and Parts at itwconstructionparts.com

* Parts available for order

ORDER BY FAX OR EMAIL

f: 800-529-8680 e: spcustomer.service@itwserviceparts.com



ORDER BY FAX OR EMAIL

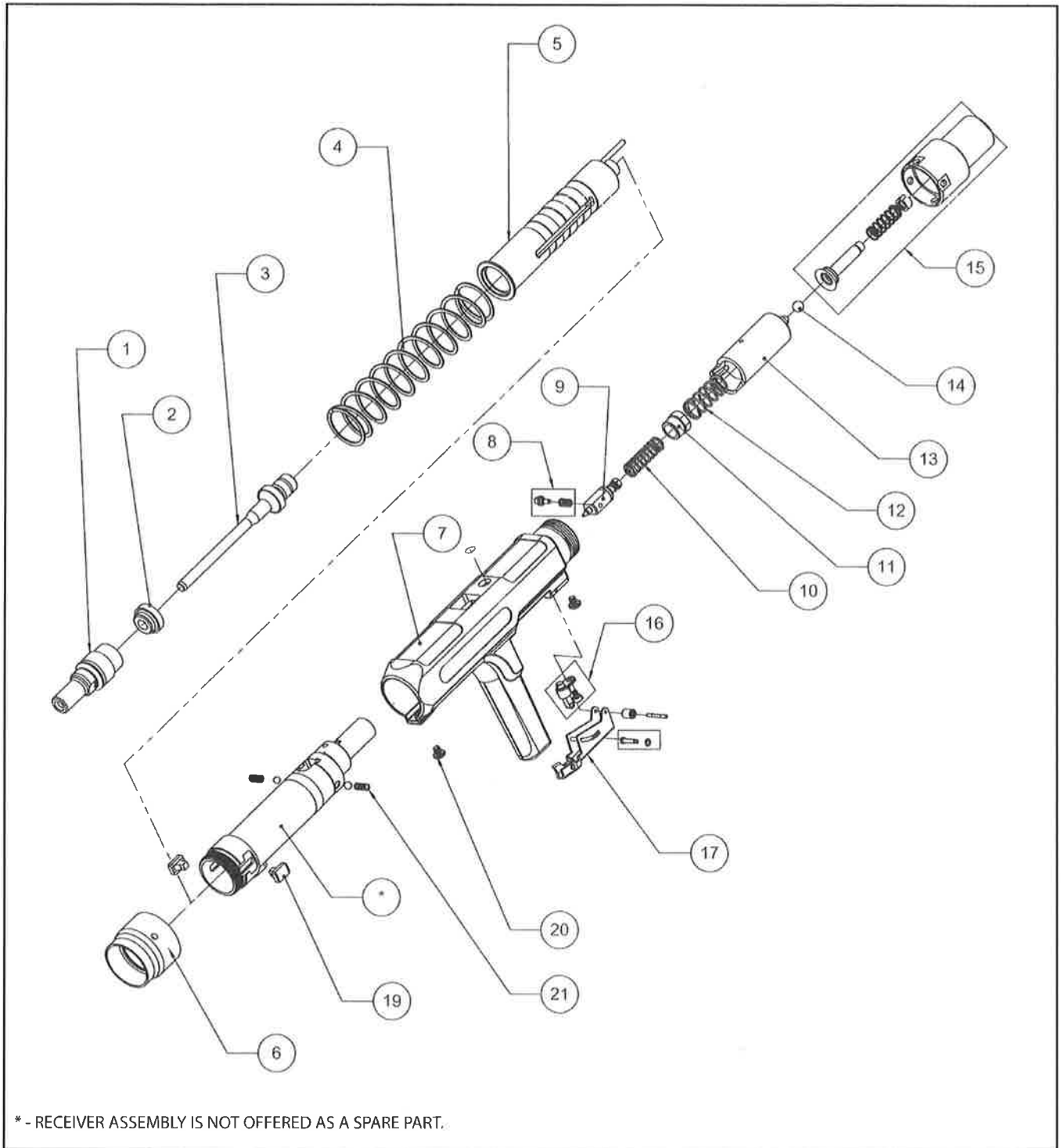
f: 800-529-8680 e: spcustomer.service@itwserviceparts.com

| KEY | PART NO. | DESCRIPTION |
|------------|-----------------|---------------------------|
| 1 | MVP100A | MUZZLE BUSHING |
| 2 | MVP140 | PISTON |
| 3 | MVP150 | BARREL |
| 4 | MVP21A | SPRINGS |
| 5 | MVP110A | BUFFER (PKG. OF 3) |
| 6 | MVP101 | HOUSING |
| 7 | 2VP18 | FIRING PIN ASSEMBLY |
| 9 | MVP600A | ADVANCE LEVER CAM & SCREW |
| 10 | MVP028 | POLE CONNECTOR |
| 11 | 2VP11 | LOCKOUT BALL |
| 12 | 2VP29 | HANDLE CONNECTOR |
| 13 | MVP130 | RETAINING COLLAR |
| 14 | MVP30 | SPALL GUARD |
| 15 | 2VP33 | WAVE WASHER |
| 16 | MVP001A | LINER BALLS & SPRINGS |
| 17 | 316540 | PAWLS (PKG.OF 2) |
| — | 309020 | DANGER LABEL |

NOTE: TOOL RECEIVER IS NOT OFFERED AS A SPARE PART

ORDER BY FAX OR EMAIL

f: 800-529-8680 e: spcustomer.service@itwserviceparts.com



ORDER BY FAX OR EMAIL

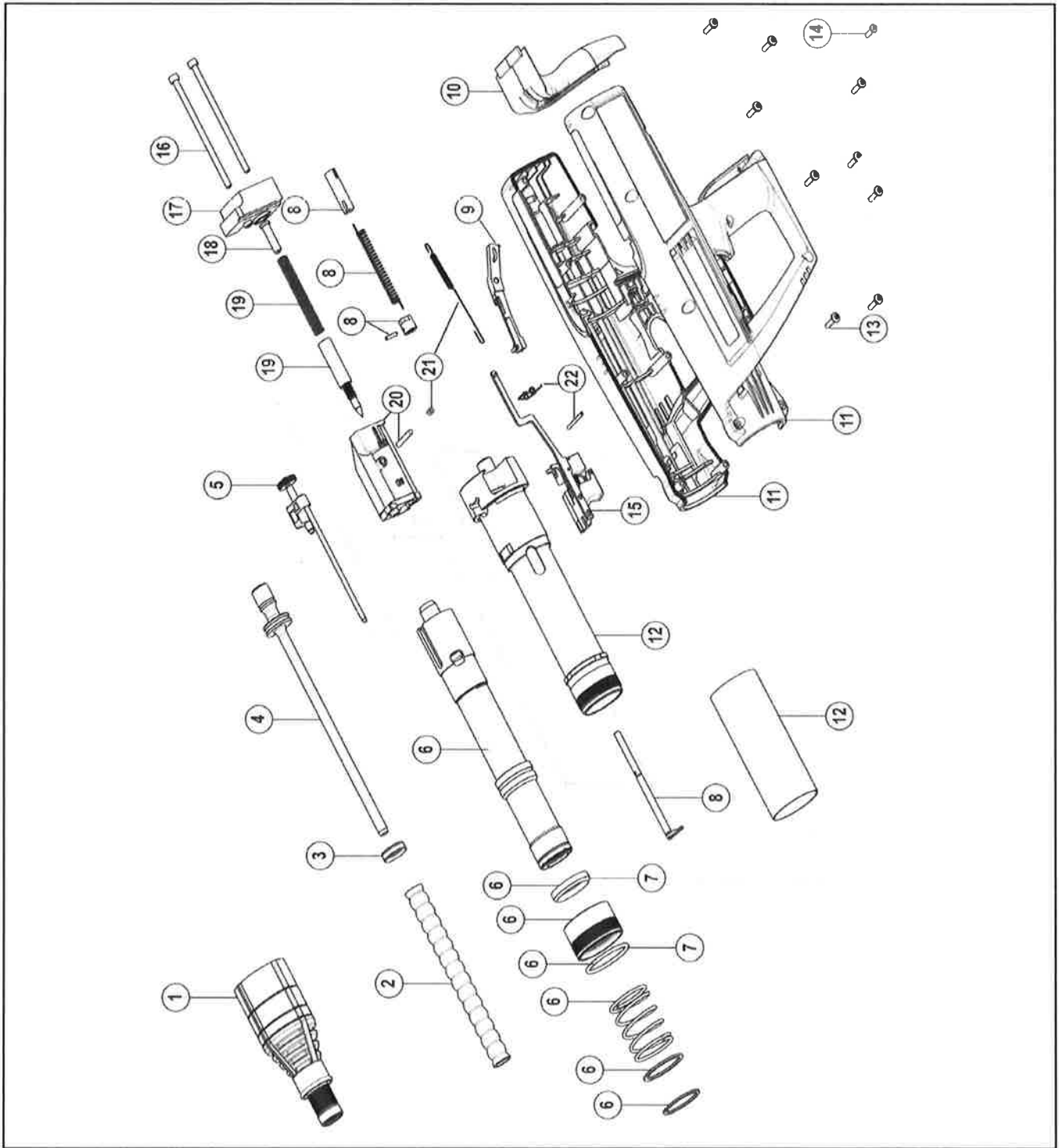
f: 800-529-8680 e: spcustomer.service@itwserviceparts.com

| KEY | PART NO. | DESCRIPTION |
|------------|-----------------|-----------------------------------|
| 1 | 100306 | MUZZLE BUSHING |
| 2 | MVP110A | BUFFER (PKG. OF 3) |
| 3 | MVP140 | PISTON |
| 4 | 100308 | RETURN SPRING |
| 5 | 100290 | BARREL ASSEMBLY |
| 6 | 100307 | RETENTION COLLAR |
| 7 | 100295A | HOUSING ASSEMBLY |
| 8 | 100292A | FIRING PIN SEAR & SPRING |
| 9 | 100291 | FIRING PIN ASSEMBLY |
| 10 | 100293 | FIRING PIN SPRING |
| 11 | 100294 | FIRING PIN SPRING PLUG |
| 12 | 100302 | TRIGGER SLEEVE SPRING |
| 13 | 100298 | TRIGGER SLEEVE |
| 14 | 100313 | STOP BALL 9MM |
| 15 | 100310A | BALL RETAINER/COLLAR ASSEMBLY |
| 16 | 100309A | ADVANCE PIN HOLDER ASSEMBLY |
| 17 | 100300A | ADVANCE LEVER ASSEMBLY WITH PIN |
| 19 | 316540 | PAWLS (PKG. OF 2) |
| 20 | 100299A | SCREWS (PKG. OF 5) |
| 21 | MVP001A | LINER BALLS & SPRINGS |
| — | 657963 | LABEL, VIPER DANGER WARNING SET |
| — | 219467 | LABEL, VIPER NAME PLATES, L&R SET |

VIPER 4 TOOL MUST USE RAMSET V4 SERIES POLE TOOLS!

ORDER BY FAX OR EMAIL

f: 800-529-8680 e: spcustomer.service@itwserviceparts.com



ORDER BY FAX OR EMAIL

f: 800-529-8680 e: spcustomer.service@itwserviceparts.com

| KEY | PART NO. | DESCRIPTION |
|------------|-----------------|--|
| 1 | PA37040 | FASTENER GUIDE ASSEMBLY |
| 1A | 100227 | MAGNETIC FASTENER GUIDE ASSM (NOT SHOWN) |
| 2 | 100167 | PISTON RETURN SPRING (PKG OF 2) |
| 3 | 010983 | PISTON BUFFER/INSULATION RING (PKG OF 2) |
| 4 | PA37037 | PISTON |
| 5 | PA37021 | POWER ADJUSTMENT ASSEMBLY |
| 6 | PA37007 | BARREL ASSEMBLY |
| 7 | 010975 | STOP RING KIT |
| 8 | PA37015 | COCKING ROD KIT |
| 9 | PA37016 | CHARGE ADVANCE LEVER ASSEMBLY |
| 10 | PA37003 | RUBBER GRIP |
| 11 | PA37001 | OUTER HOUSING ASSEMBLY (L & R) |
| 12 | N/A | RECEIVER ASSEMBLY |
| 13 | PA37009 | OUTER HOUSING SCREWS (PKG OF 9) |
| 14 | PA37032 | HANDLE SCREW (PKG OF 5) |
| 15 | PA37017 | TRIGGER ASSEMBLY |
| 16 | PA37033 | END CAP SCREWS (PKG OF 2) |
| 17 | PA37004 | END CAP |
| 18 | PA37030 | FIRING PIN SPRING GUIDE |
| 19 | PA38160 | FIRING PIN ASSEMBLY |
| 20 | PA28111 | MECHANISM HOUSING ASSEMBLY |
| 21 | PA37012 | CHARGE ADVANCE SPRING KIT |
| 22 | 27516A | TRIGGER SEAR SPRING KIT |
| 23 | PA37023 | SPALL GUARD |
| — | 309020 | DANGER LABEL, BLACK |

ORDER BY FAX OR EMAIL**f: 800-529-8680 e: spcustomer.service@itwserviceparts.com**

January 1, 2009

GAS TOOLS — 2 year warranty/50,000 shot

| | | |
|---------|-----------------|--------------|
| TF1100 | 6 Month: | Piston |
| T3MAG | 10,000 | Piston Rings |
| T3SS | shot | O-rings |
| T3IF | | Bumper |
| GypFast | | |
| TF1200 | | |
| G2 | | |

POWDER ACTUATED TOOLS — 3 year warranty

| | | |
|---------|------------------|----------------------|
| VIPER | Excludes: | Pistons |
| SA270-G | | Piston Rings |
| D60 | | Buffers |
| D45A | | Spring Clips |
| 721 | | Pawls |
| XT540 | | Piston Return Spring |

POWDER ACTUATED TOOLS — 1 year warranty

| | | |
|-------|------------------|--------------|
| COBRA | Excludes: | Pistons |
| R25 | | Piston Rings |
| | | Spring Clips |
| | | Pawls |

** No warranty on pole tools

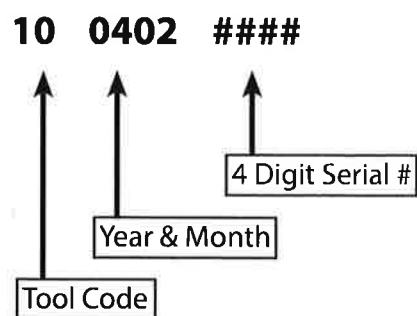
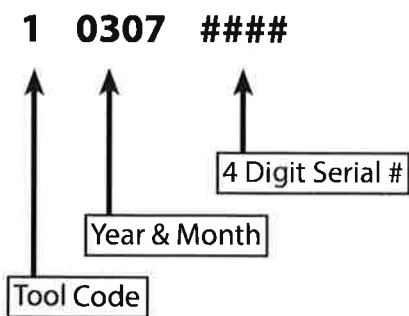
** Warranty coverage excludes damage due to abuse or use not in accordance with the operator's safety and operating instruction manual. Warranty offered as long as replacement parts remain available. Warranty period is based off tool build date determined from tool serial number.

ORDER BY FAX OR EMAIL

f: 800-529-8680 e: spcustomer.service@itwserviceparts.com

TOOL CODE:

- 1 = 721 Tool
- 2 = AutoFast
- 3 = TrakFast
- 4 = D60
- 5 = D45A
- 6 = RT400/Rocket
- 7 = RT400M
- 8 = M150
- 9 = E150
- 10 = T150
- 11 = T2
- 12 = R150
- 14 = T3ss
- 15 = T3MAG
- 16 = GypFast
- 17 = XT540
- 18 = MINI
- 19 = TF1200
- 20 = T3IF
- 21 = G2



ORDER BY FAX OR EMAIL

f: 800-529-8680 e: spcustomer.service@itwserviceparts.com

