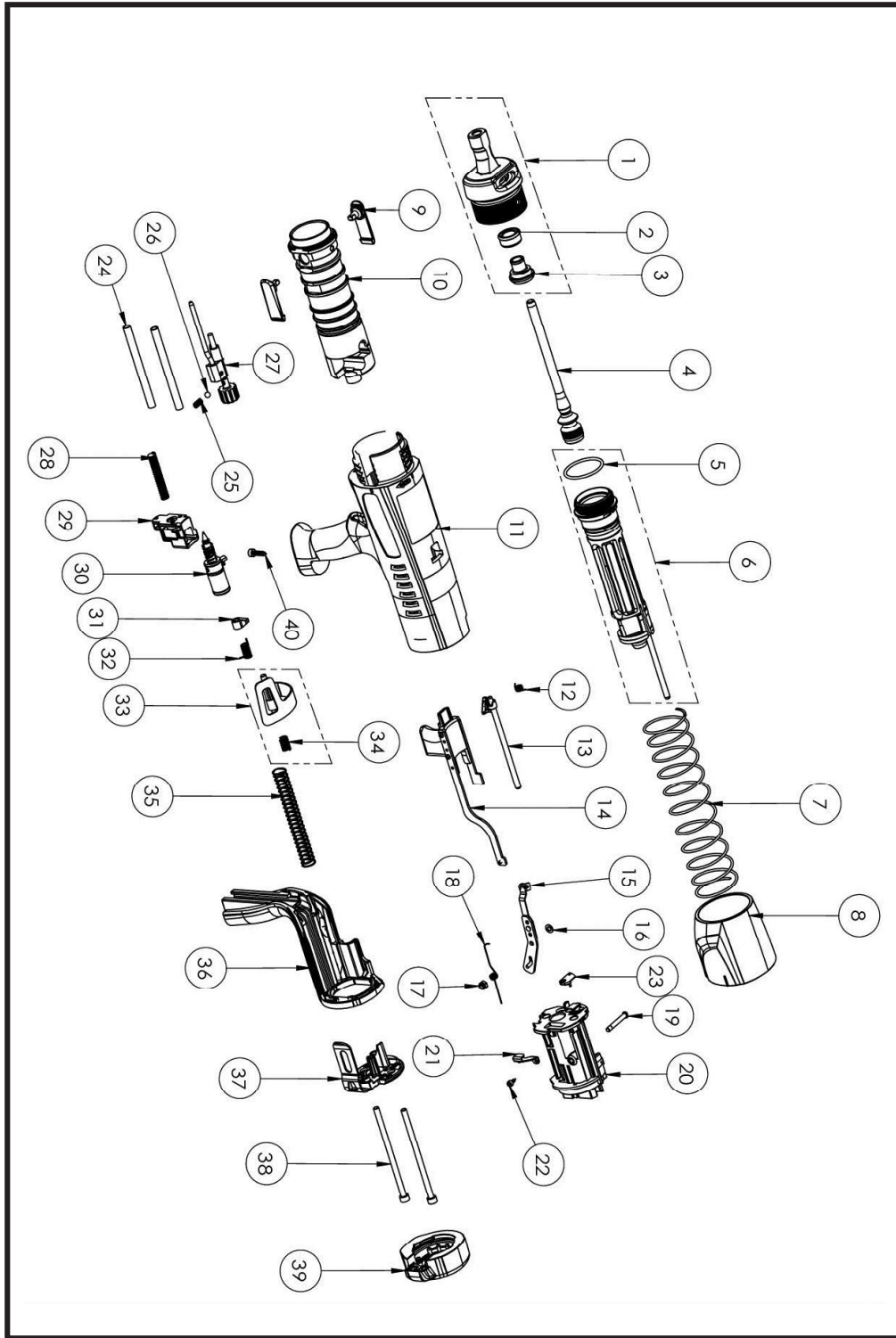


PARTS SCHEMATIC



PARTS SCHEMATIC 12

PARTS LIST**RAMSET RA27 TOOL PARTS LIST**

KEY	PART NO.	DESCRIPTION	QTY
1	751330	GUIDE ASSEMBLY	1
2	751332	BUFFER RING	1
3	751333	BUFFER	1
4	751321	PISTON	1
5	751315	O-RING	1
6	751310	BARREL ASSEMBLY	1
7	751202	SPRING,BARREL ASSEMBLY	1
8	751220	RETENTION COLLAR	1
9	751203	PAWL,(pkg of 2)	1
10	751210	RECEIVER ASSEMBLY	1
11	751110	FRONT HOUSING ASSEMBLY	1
12	751234	SPRING, CONTROL ROD	1
13	751231	CONTROL ROD	1
14	751460	TRIGGER ASSEMBLY	1
15	751450	ADVANCE LEVER ASSEMBLY	1
16	751404	WASHER	1
17	300107	NUT, ADVANCE LEVER ASSEMBLY RETENTION	1
18	751436	SPRING, ADVANCE LEVER ASSEMBLY	1
19	751402	PIN, ADVANCE LEVER ASSEMBLY	1
20	751401	MECHANISM HOUSING	1
21	751405	CLAPBOARD	1
22	751406	SCREWS, CLAPBOARD	1
23	751407	BAFFLE, MECHANISM HOUSING	1
24	751403	TUBE	2
25	751444	SPRNG, POWER ADJUSTMENT ASSEMBLY	1
26	301046	BALL	1
27	751440	POWER ADJUSTMENT ASSEMBLY	1
28	751483	SPRING, TRIGGER ASSEMBLY	1
29	751482	COMPARTMENT	1
30	751410	FIRING PIN ASSEMBLY	1
31	751235	RELEASER	1
32	751236	SPRING, RELEASER	1
33	751800	SWIVEL HOOK ASSEMBLY	1
34	751803	SPRING, SWIVEL HOOK ASSEMBLY	1
35	751432	SPRING, FIRING PIN	1
36	751120	REAR HANDLE	1
37	751500	FIXED HOOK ASSEMBLY	1
38	751006	SCREW	2
39	751131	BACKEND COVER	1
40	501734	HANDLE SELF-TAPPING SCREWS	1

PARTS LIST