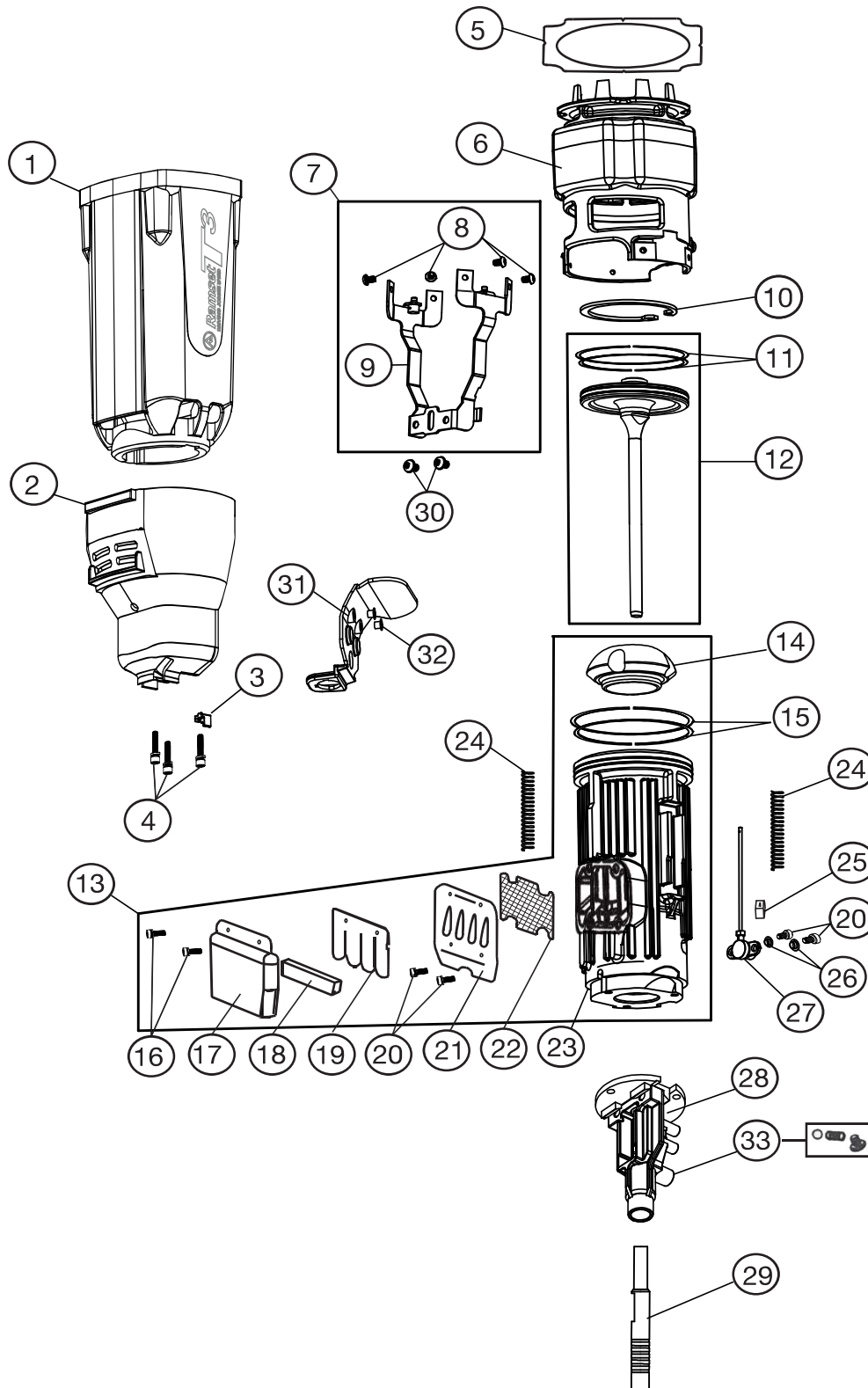


**T3SS NOSE & HOUSING
ASSEMBLY SCHEMATIC**



Drawings may vary slightly from actual product.

T3SS NOSE & HOUSING ASSEMBLY PARTS LIST

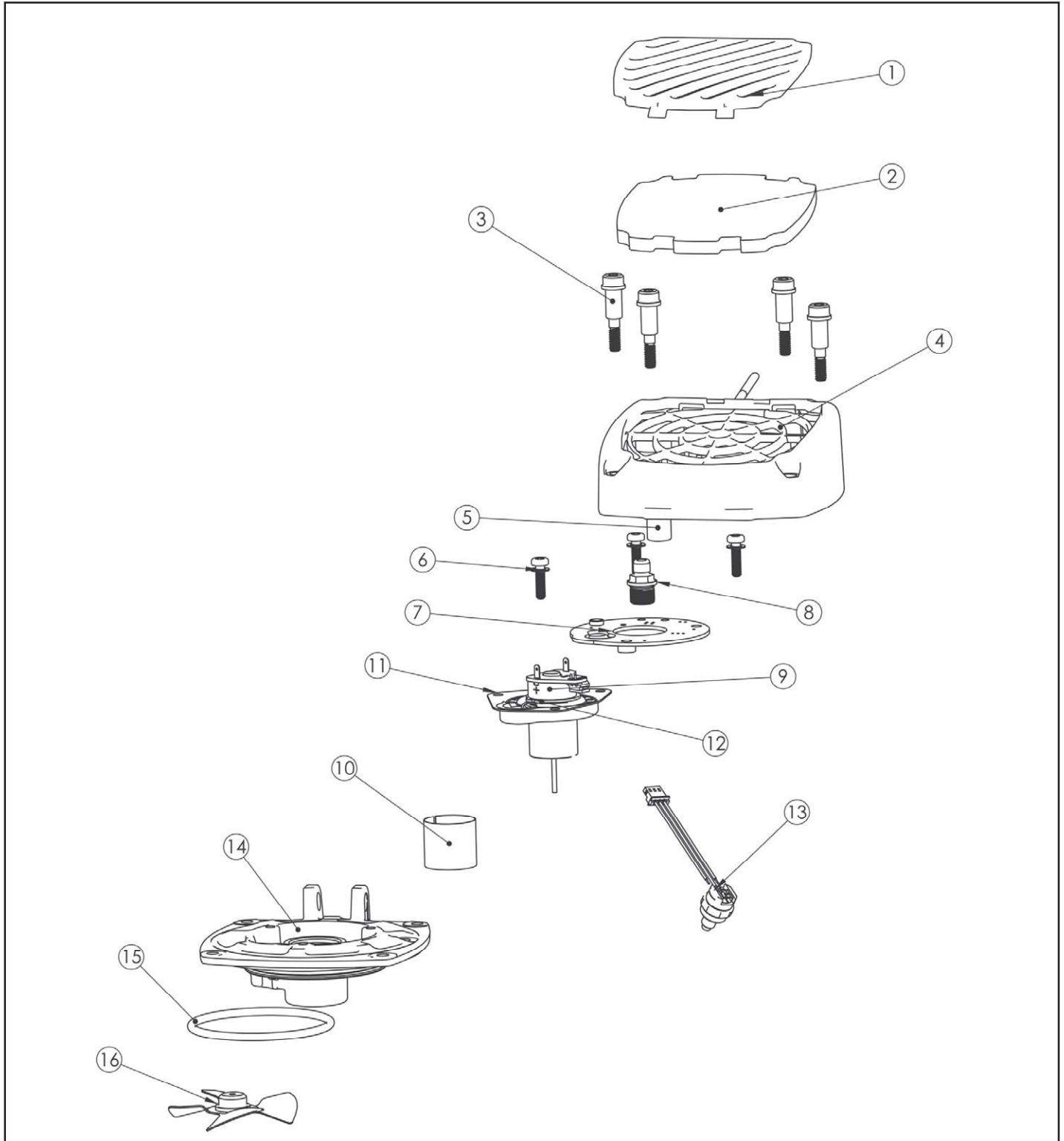
KEY	PART NO.	QTY	DESCRIPTION
1	B0001	1	HOUSING, T3
2	B0096	1	SHROUD, T3
3	B0105	1	SECURITY STOP
4	B0238	3	SCREW, HOUSING (3 Required – Sold Individually) (For tools built September 2010, S/N 141009001 and after with Flanged Nose)
4A	B0059A	3	HOUSING SCREWS (PKG QTY 3) (For tools built August 2010, S/N 1410080120 and before with Pinned Nose)
5	B0097	1	AIR DAM
6	B0178	1	COMBUSTION CHAMBER, T3
7	B0217A	1	CAGE ASSEMBLY WITH SCREWS, T3
8	B0057	4	SCREW, CAGE TO COMBUSTION CHAMBER (4 REQUIRED - SOLD INDIVIDUALLY)
9	B0217	1	CAGE ASSEMBLY, T3
10	B0068	1	PISTON STOP RING
11	B0034A	1	PISTON RINGS (PKG QTY 2)
12	B0031A	1	PISTON ASSEMBLY (W/RINGS)
13	906006	1	SLEEVE ASSEMBLY, T3SS (Includes Sleeve, Seal Rings, Bumper, and Muffler Assy.)
14	B0053	1	BUMPER
15	100154A	2	STEEL RINGS, SLEEVE (PKG QTY 2) (For tools after February 2011, S/N: 1411020066)
15A	B0042	1	SLEEVE O-RING (For tools before February 2011, S/N: 1411020065)
16	900596	2	M4-10 EXHAUST SCREW
17	404423	1	MUFFLER COVER
18	404422	1	MUFFLER
19	404424	1	EXHAUST REED PLATE
20	900595	4	M4-8 EXHAUST/ FUEL CONNECTOR SCREW
21	404425	1	REED PLATE
22	404426	1	EXHAUST BAFFLE
23	B0052	1	SLEEVE, MACHINED
24	B0037A	2	CAGE SPRINGS (PKG QTY 2)
25	B0048	1	INJECTION TUBE BUMPER
26	B0023	2	FUEL SLEEVE CONNECTOR BUSHING
27	B0054A	1	FUEL INJECTION TUBE ASSEMBLY
28	906000	1	PIN GUIDE SUPPORT, WELDED
29	E150100	1	WORK CONTACT ELEMENT
30	B0226	2	ACTUATOR PLATE SCREW
31	B0122	1	ACTUATOR
32	B0111	1	PIN GUIDE
33	B0218	1	WCE RETENTION KIT (INCLUDES PAWL, SPRING AND SCREW)

FOR T3IF TOOL

12A	B0031IF-6A	PISTON ASSEMBLY W/RINGS, T3IF-6 TOOL
29A	B0111IF-6	PIN GUIDE, T3IF-6 TOOL

ORDER BY FAX OR EMAIL

f: 800-529-8680 e: spcustomer.service@itwserviceparts.com



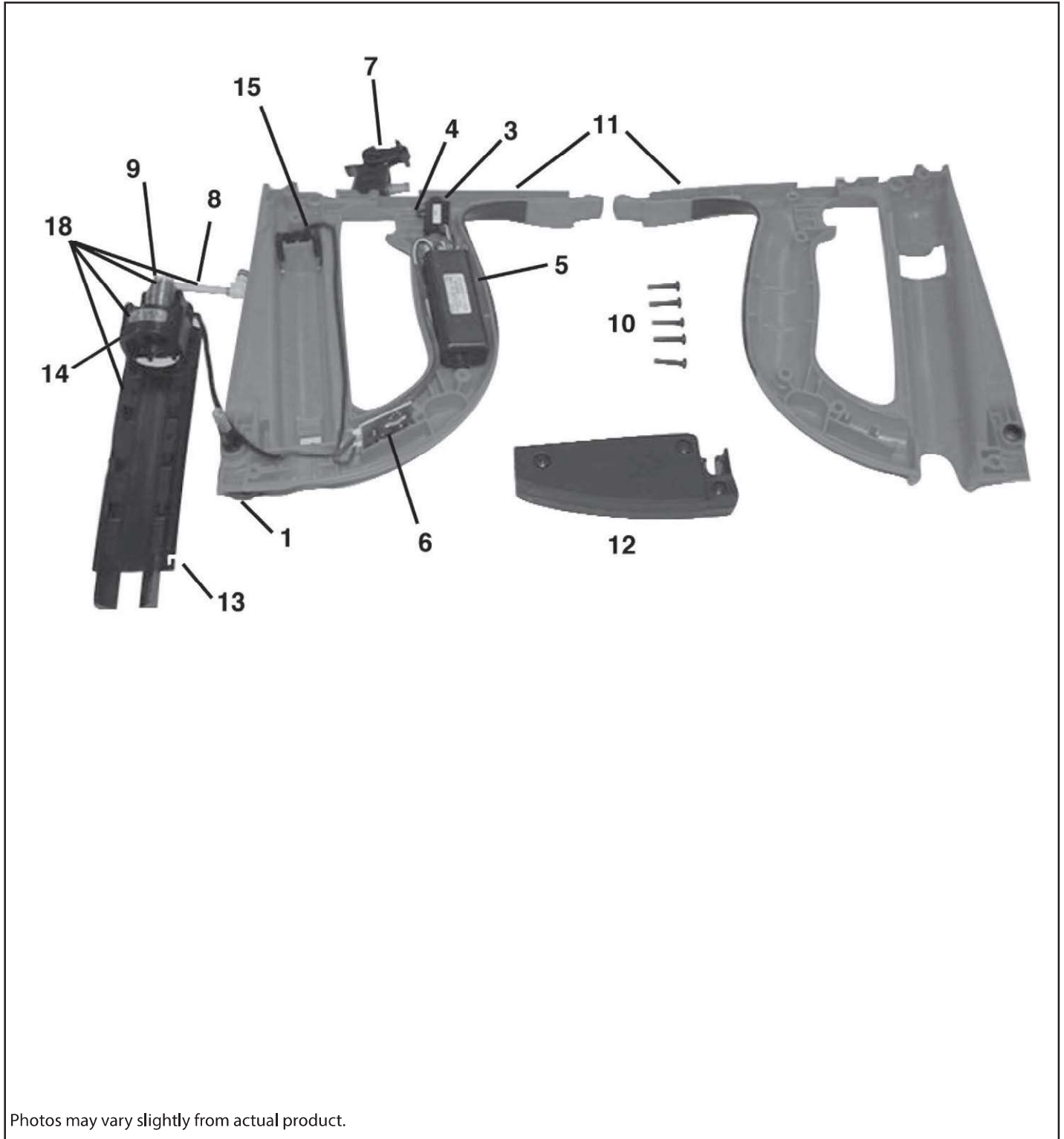
ORDER BY FAX OR EMAIL

f: 800-529-8680 e: spcustomer.service@itwserviceparts.com

KEY	PART NO.	DESCRIPTION
1	B0017	GRILL CAP, T3
2	B0095	FOAM FILTER, T3
3	901065A	CAP SCREWS (PKG QTY OF 4)
4	B0016	CAP (GRILL & FILTER NOT INCLUDED)
5	900478	SPARK PLUG WIRE & BOOT
6	B0061A	SCREWS, PC BOARD (For T3MAG tools before July 2009, S/N: 1509070048 and w/ O-ring head) (For T3SS tools before July 2009, S/N: 1409070110 and w/ O-ring head)
6	900902	SELF THREADING SCREW, LONG, PC BOARD (1 Required – For tools built after July 2009 or with Steel Ring Head)
6	100009	SELF THREADING SCREW, SHORT, PC BOARD (2 Required – For tools built after July 2009 or with Steel Ring Head)
7	B0040	PC BOARD
8	7505164	SPARK PLUG ASSEMBLY
9	900525A	FAN MOTOR KIT (Includes: Fan, Motor Sleeve, Motor Mount, Retaining Ring & Fan Blade)
9A	905524	FAN MOTOR AND MOUNT ASSM, T3IF
10	401356	MOTOR SLEEVE
11	900470	MOTOR MOUNT
12	401355	MOTOR RETAINING SNAP RING
13	404601	HEAD SWITCH
14	B0078	CYLINDER HEAD (This replacement part uses Steel Rings)
15	403992	O-RING, CYLINDER HEAD (for tools using O-ring Cylinder Head)
15	900935A	STEEL RINGS, CYLINDER HEAD (PKG QTY OF 2) (For tools built after March 2011 and/or using Steel Ring Cylinder Head)
16	403167	FAN BLADE

ORDER BY FAX OR EMAIL

f: 800-529-8680 e: spcustomer.service@itwserviceparts.com



ORDER BY FAX OR EMAIL

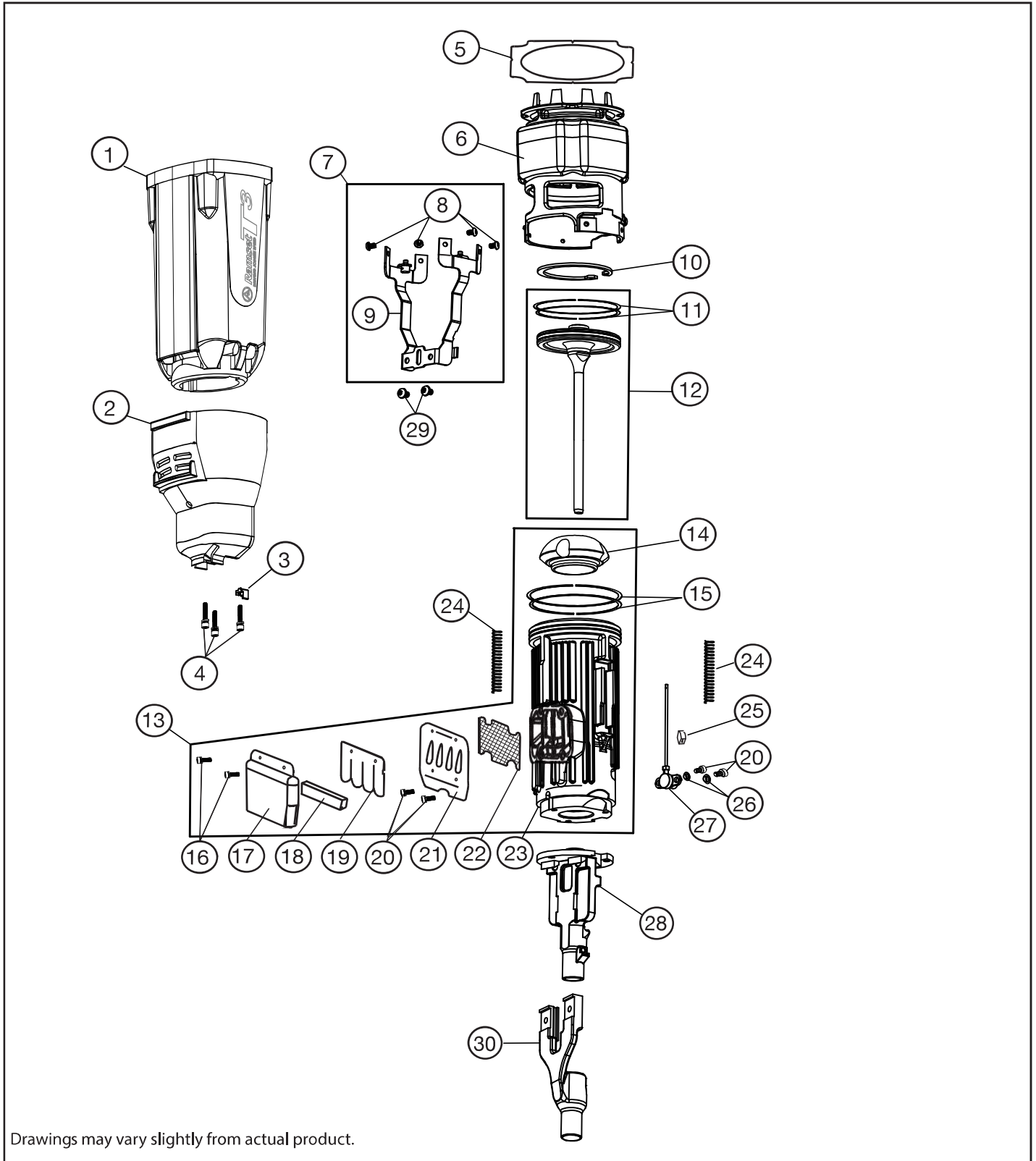
f: 800-529-8680 e: spcustomer.service@itwserviceparts.com

KEY	PART NO.	DESCRIPTION
1	333380	KNOB ASSEMBLY, T3SS
1A	B0227A	T3MAG EASY RELEASE KNOB KIT INCLUDES: KNOB CAP, KNOB BASE, KNOB SHAFT HARDWARE)
2	404619	INSULATOR (PLACED UNDER TRIGGER SWITCH)
3	900824	TRIGGER SWITCH (MUST BE USED WITH 905533 MEFI)
4	7405091	SCREWS #2 – 5/8 (PKG OF 2), TRIGGER SWITCH
5	905533	SPARK UNIT – MEFI, T3
6	B0093	EFI JUNCTION BOARD
7	B0006A	TRIGGER ASSEMBLY
8	B0050A	FUEL CONNECTOR ASSEMBLY
9	B0160	FUEL VALVE
10	B0100A	HANDLE SCREWS (PKG. OF 5)
11	B0176	LEFT & RIGHT SIDE HANDLE ASSEMBLY
12	B0144	REAR FOOT ASSEMBLY (T3SS ONLY)
13	B0018	FUEL SPACER PLATE
14	B0090A	FUEL CELL EJECT BUTTON & LATCH KIT
15	B0011	BATTERY TERMINAL ASSEMBLY
16	B0210A	BELT HOOK KIT
18	B0160A	FUEL VALVE & SPACER PLATE ASSEMBLY
—	B0029	HANDLE TO HOUSING BUSHING
—	B0030	HEAD TO HANDLE BUSHING
—	B0058	BUSHING SCREW, M5x10
—	B0055	RUBBER SPACER, FUEL CONNECTOR
—	7505021	DANGER LABEL
—	7505025	WARNING LABEL

ORDER BY FAX OR EMAIL

f: 800-529-8680 e: spcustomer.service@itwserviceparts.com

**T3MAG NOSE & HOUSING
ASSEMBLY SCHEMATIC**



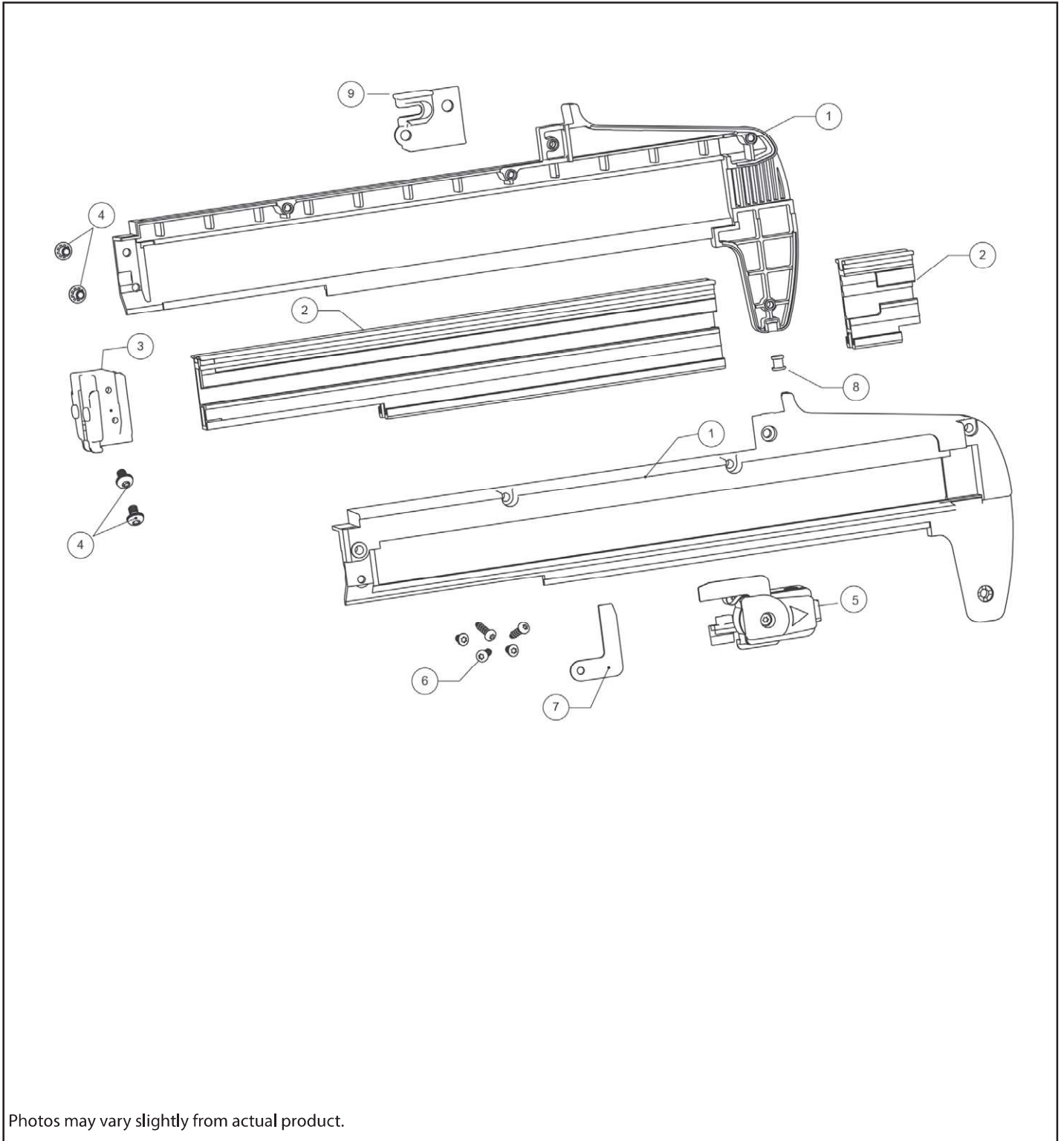
T3MAG NOSE & HOUSING ASSEMBLY PARTS LIST

KEY	PART NO.	QTY	DESCRIPTION
1	B0001	1	HOUSING, T3
2	B0199	1	SHROUD, T3 MAG.
3	B0105	1	SECURITY STOP
4	B0238	3	SCREW, HOUSING (3 Required – Sold Individually) (For tools built September 2010, S/N 141009001 and after with Flanged Nose)
4A	B0059A	3	HOUSING SCREWS (PKG QTY 3) (For tools built August 2010, S/N 1410080120 and before with Pinned Nose)
5	B0097	1	AIR DAM
6	B0178	1	COMBUSTION CHAMBER, T3
7	B0217A	1	CAGE ASSEMBLY WITH SCREWS,
8	B0057	4	SCREW, CAGE TO COMBUSTION CHAMBER (4 REQUIRED - SOLD INDIVIDUALLY)
9	B0217	1	CAGE ASSEMBLY, T3
10	B0068	1	PISTON STOP RING
11	B0034A	1	PISTON RINGS (PKG QTY 2)
12	B0031A	1	PISTON ASSEMBLY (W/RINGS)
13	906006	1	SLEEVE ASSEMBLY, T3 MAG (Includes Sleeve, Seal Rings, Bumper, and Muffler Assy.)
14	B0053	1	BUMPER
15	100154A	2	STEEL RINGS, SLEEVE (PKG QTY 2) (For tools after February 2011, S/N: 1411020066)
15A	B0042	1	SLEEVE O-RING (For tools before February 2011, S/N: 1411020065)
16	900596	2	M4-10 EXHAUST SCREW
17	404423	1	MUFFLER COVER
18	404422	1	MUFFLER
19	404424	1	EXHAUST REED PLATE
20	900595	4	M4-8 EXHAUST/ FUEL CONNECTOR SCREW
21	404425	1	REED PLATE
22	404426	1	EXHAUST BAFFLE
23	B0052	1	SLEEVE, MACHINED
24	B0037A	2	CAGE SPRINGS (PKG QTY 2)
25	B0048	1	INJECTION TUBE BUMPER
26	B0023	2	FUEL SLEEVE CONNECTOR BUSHING
27	B0054A	1	FUEL INJECTION TUBE ASSEMBLY
28	905530A	1	PIN GUIDE SUPPORT, W/SCREWS B0238
29	B0226	2	ACTUATOR PLATE SCREW
30	905531A	1	ACTUATOR W/SCREWS B0226
—	906000		T3MAG NOSE KIT (INCLUDES PIN GUIDE SUPPORT W/SCREWS, ACTUATOR W/SCREWS AND SHEAR BLOCK W/SCREWS)

ORDER BY FAX OR EMAIL

f: 800-529-8680 e: spcustomer.service@itwserviceparts.com

T3 MAGAZINE ASSEMBLY SCHEMATIC



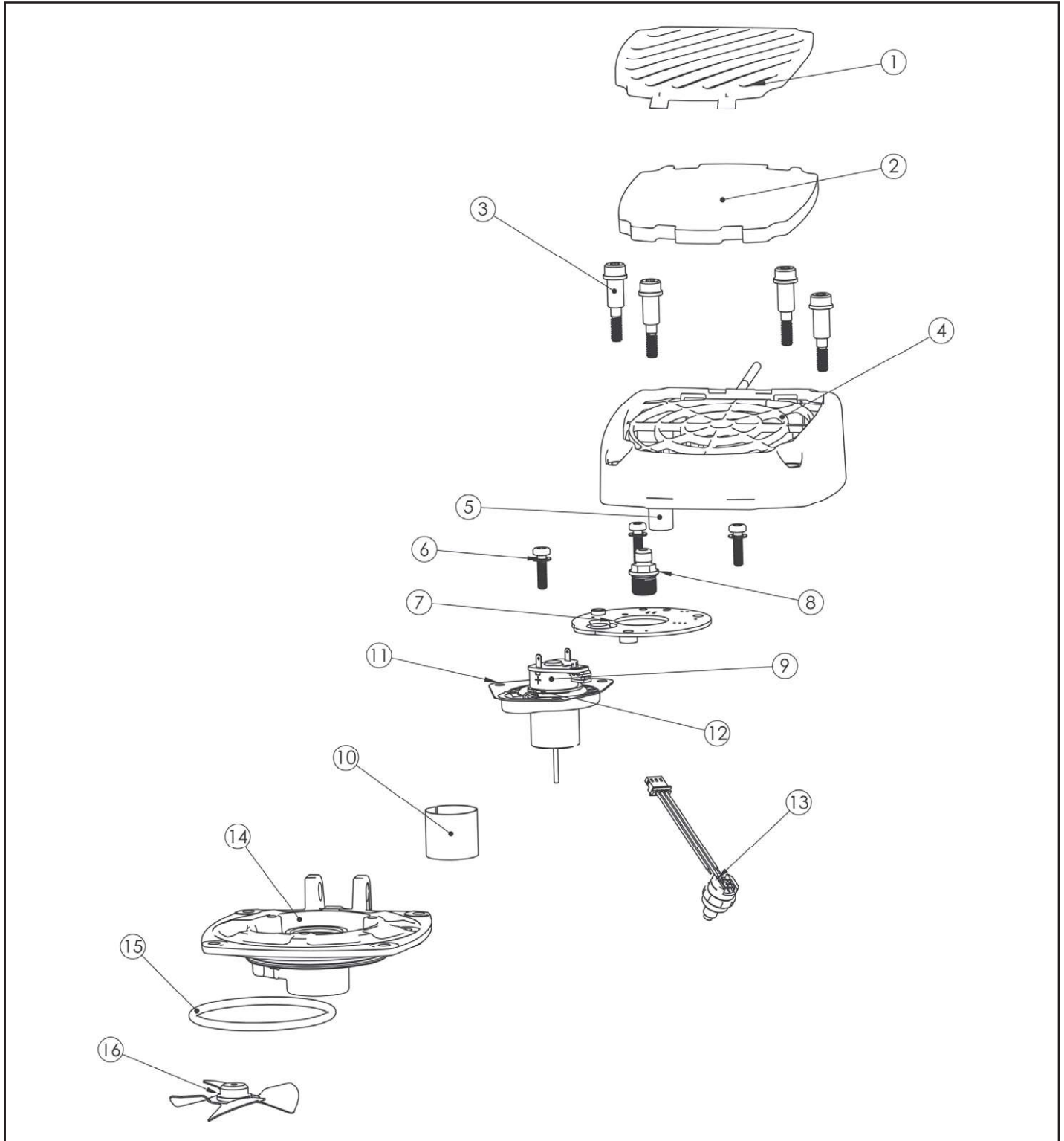
ORDER BY FAX OR EMAIL

f: 800-529-8680 e: spcustomer.service@itwserviceparts.com

KEY	PART NO.	DESCRIPTION
1	B0203	MAGAZINE LEFT & RIGHT HALF
2	B0204	FRONT & REAR RAILS
3	B0213A	SHEAR BLOCK & SCREW (OLD NOSE)
3A	905532A	SHEAR BLOCK & SCREW (NEW NOSE SERIAL # 1516110001 AND LATER)
4	B0206	CONNECTION BLOCK/SHEAR BLOCK SCREWS (PKG QTY 4) M4
5	B0207	FOLLOWER ASSY. W/CONSTANT FORCE SPRING
6	B0208	MAGAZINE SCREWS (PKG QTY 5)
7	B0147	LOCKOUT BRACKET
8	B0102	WEAR PAD, FOOT
9	B0215	MAGAZINE LATCH BRACKET
—	B0234	T3 EASY RELEASE MAGAZINE ASSEMBLY INCLUDES: MAGAZINE HALVES, SHEAR BLOCK KIT, FOLLOWER ASSEMBLY, FRONT RAIL, REAR RAIL, SCREWS, LATCH BRACKET
—	905529	CONSTANT FORCE SPRING W/HUB
—	906004	SERVICE, COMPLETE MAGAZINE ASSEMBLY

ORDER BY FAX OR EMAIL

f: 800-529-8680 e: spcustomer.service@itwserviceparts.com



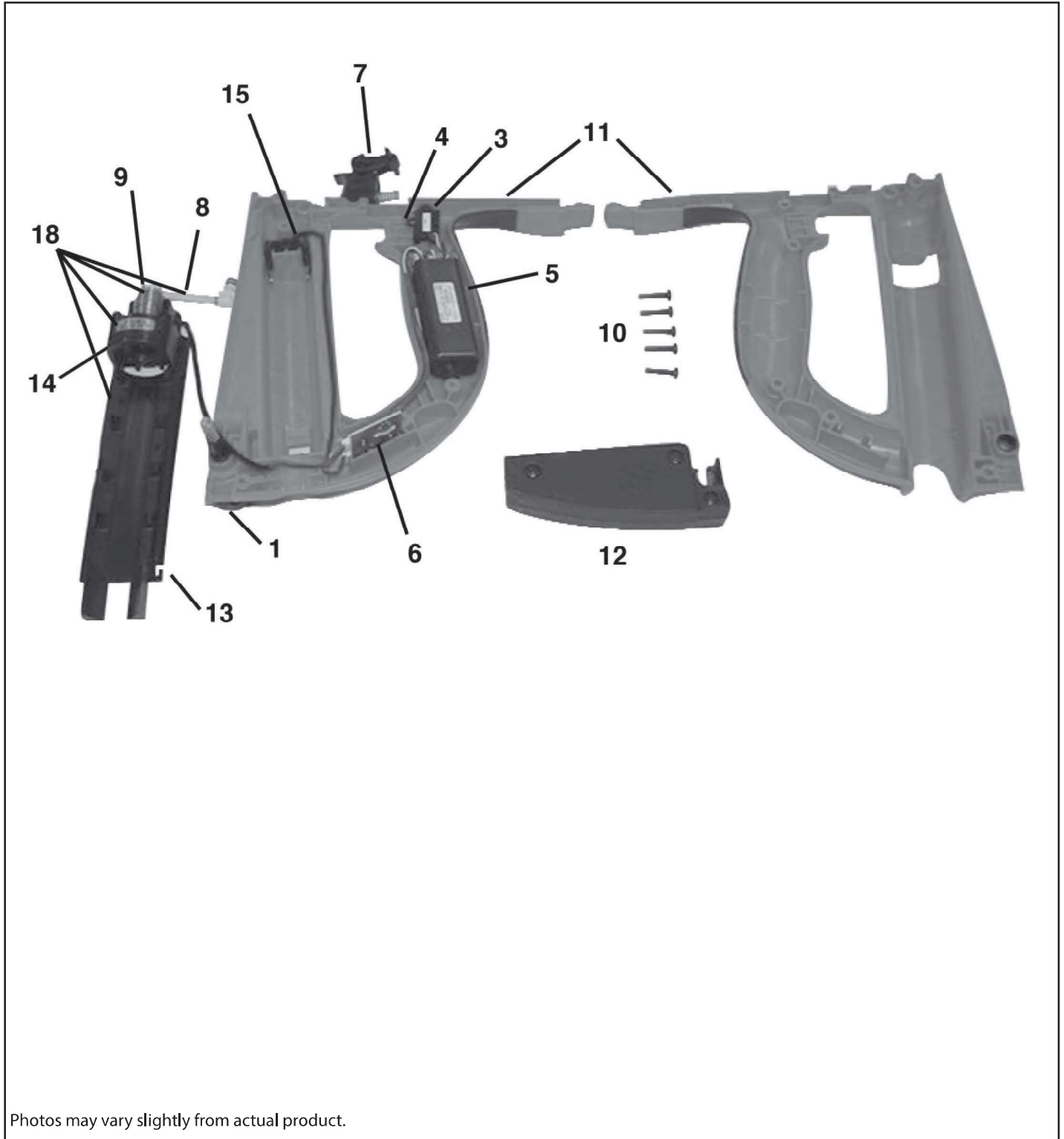
ORDER BY FAX OR EMAIL

f: 800-529-8680 e: spcustomer.service@itwserviceparts.com

KEY	PART NO.	DESCRIPTION
1	B0017	GRILL CAP, T3
2	B0095	FOAM FILTER, T3
3	901065A	CAP SCREWS (PKG QTY OF 4)
4	B0016	CAP (GRILL & FILTER NOT INCLUDED)
5	900478	SPARK PLUG WIRE & BOOT
6	B0061A	SCREWS, PC BOARD (For T3MAG tools before July 2009, S/N: 1509070048 and w/ O-ring head) (For T3SS tools before July 2009, S/N: 1409070110 and w/ O-ring head)
6	900902	SELF THREADING SCREW, LONG, PC BOARD (1 Required – For tools built after July 2009 or with Steel Ring Head)
6	100009	SELF THREADING SCREW, SHORT, PC BOARD (2 Required – For tools built after July 2009 or with Steel Ring Head)
7	B0040	PC BOARD
8	7505164	SPARK PLUG ASSEMBLY
9	900525A	FAN MOTOR KIT (Includes: Fan, Motor Sleeve, Motor Mount, Retaining Ring & Fan Blade)
10	401356	MOTOR SLEEVE
11	900470	MOTOR MOUNT
12	401355	MOTOR RETAINING SNAP RING
13	404601	HEAD SWITCH
14	B0078	CYLINDER HEAD (This replacement part uses Steel Rings)
15	403992	O-RING, CYLINDER HEAD (for tools using O-ring Cylinder Head)
15	900935A	STEEL RINGS, CYLINDER HEAD (PKG QTY OF 2) (For tools built after March 2011 and/or using Steel Ring Cylinder Head)
16	403167	FAN BLADE

ORDER BY FAX OR EMAIL

f: 800-529-8680 e: spcustomer.service@itwserviceparts.com



ORDER BY FAX OR EMAIL

f: 800-529-8680 e: spcustomer.service@itwserviceparts.com

KEY	PART NO.	DESCRIPTION
1	333380	KNOB ASSEMBLY, T3SS
1A	B0227A	T3MAG EASY RELEASE KNOB KIT (INCLUDES: KNOB CAP, KNOB BASE, KNOB SHAFT HARDWARE)
2	404619	INSULATOR (PLACED UNDER TRIGGER SWITCH)
3	900824	TRIGGER SWITCH - OCTOBER 2016, NEW CONNECTOR (MUST BE USED WITH 905533 MEFI)
4	7405091	SCREWS #2 – 5/8 (PKG OF 2), TRIGGER SWITCH
5	905533	SPARK UNIT – MEFI, T3 - NEW CONNECTOR
6	B0093	EFI JUNCTION BOARD
7	B0006A	TRIGGER ASSEMBLY
8	B0050A	FUEL CONNECTOR ASSEMBLY
9	B0160	FUEL VALVE
10	B0100A	HANDLE SCREWS (PKG. OF 5)
11	B0176	LEFT & RIGHT SIDE HANDLE ASSEMBLY
12	B0144	REAR FOOT ASSEMBLY (T3SS ONLY)
13	B0018	FUEL SPACER PLATE
14	B0090A	FUEL CELL EJECT BUTTON & LATCH KIT
15	B0011	BATTERY TERMINAL ASSEMBLY
16	B0210A	BELT HOOK KIT
18	B0160A	FUEL VALVE & SPACER PLATE ASSEMBLY
—	B0029	HANDLE TO HOUSING BUSHING
—	B0030	HEAD TO HANDLE BUSHING
—	B0058	BUSHING SCREW, M5x10
—	B0055	RUBBER SPACER, FUEL CONNECTOR
—	7505021	DANGER LABEL
—	7505025	WARNING LABEL
—	906001	MAGNETIC WORK CONTACT ELEMENT (T3MAG)

ORDER BY FAX OR EMAIL

f: 800-529-8680 e: spcustomer.service@itwserviceparts.com