

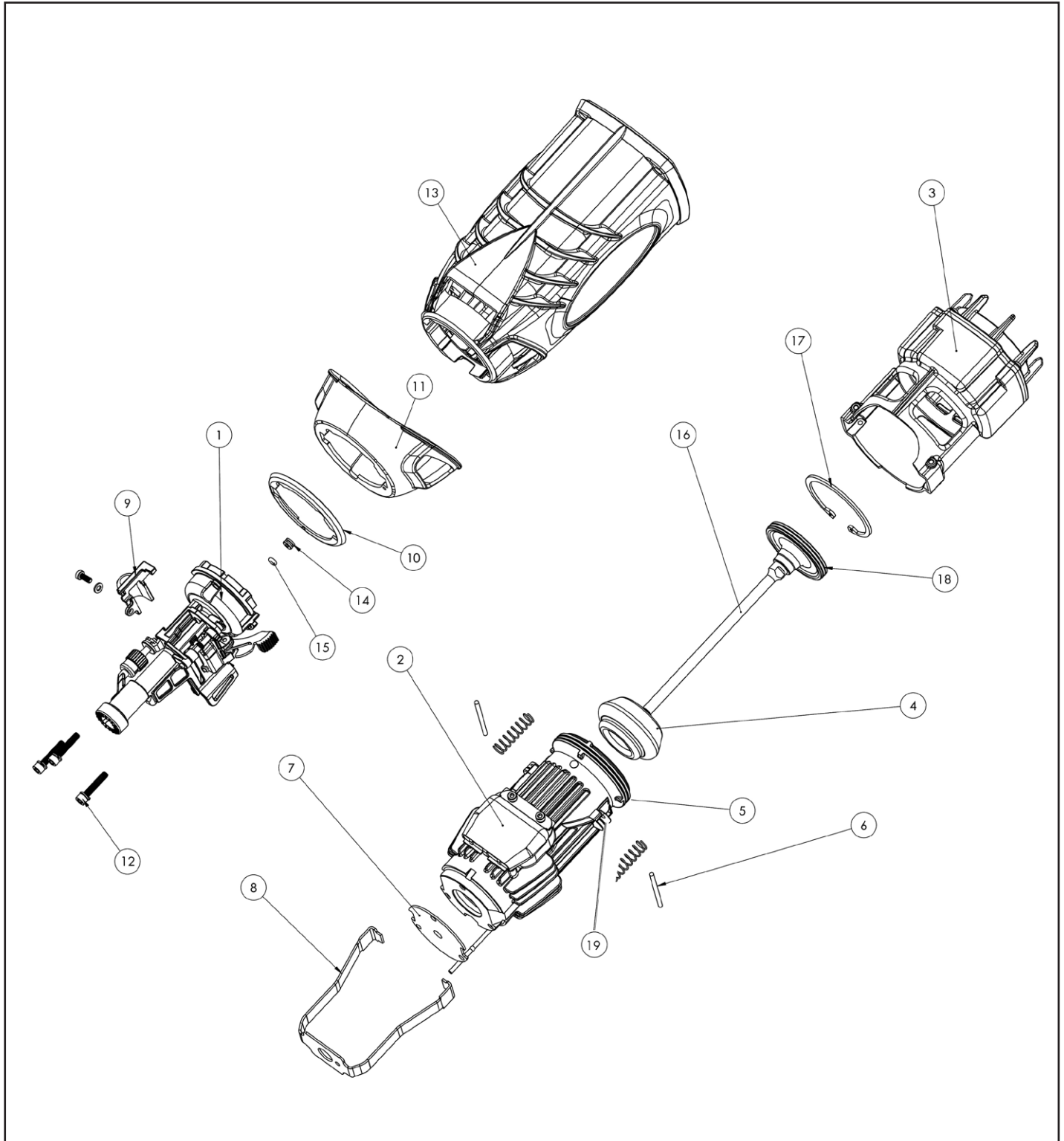
**ORDER BY FAX OR EMAIL**

f: 800-529-8680 e: [spcustomer.service@itwserviceparts.com](mailto:spcustomer.service@itwserviceparts.com)

<b>KEY</b>	<b>PART NO.</b>	<b>DESCRIPTION</b>
1	N/A	MOTOR ASSEMBLY
2	N/A	HANDLE ASSEMBLY - TF1200
3	100266	CAP ASSEMBLY
4	100256A	G2 MAGAZINE ASSEMBLY
5	801124	KNOB ASSEMBLY - TF1200
6	100060A	BUSHING, HANDLE TO HOUSING W/SCREW
7	901063A	SHOULDER SCREW (PKG OF 4)
8	900315	FILTER SCREEN

**ORDER BY FAX OR EMAIL**

f: 800-529-8680 e: [spcustomer.service@itwserviceparts.com](mailto:spcustomer.service@itwserviceparts.com)



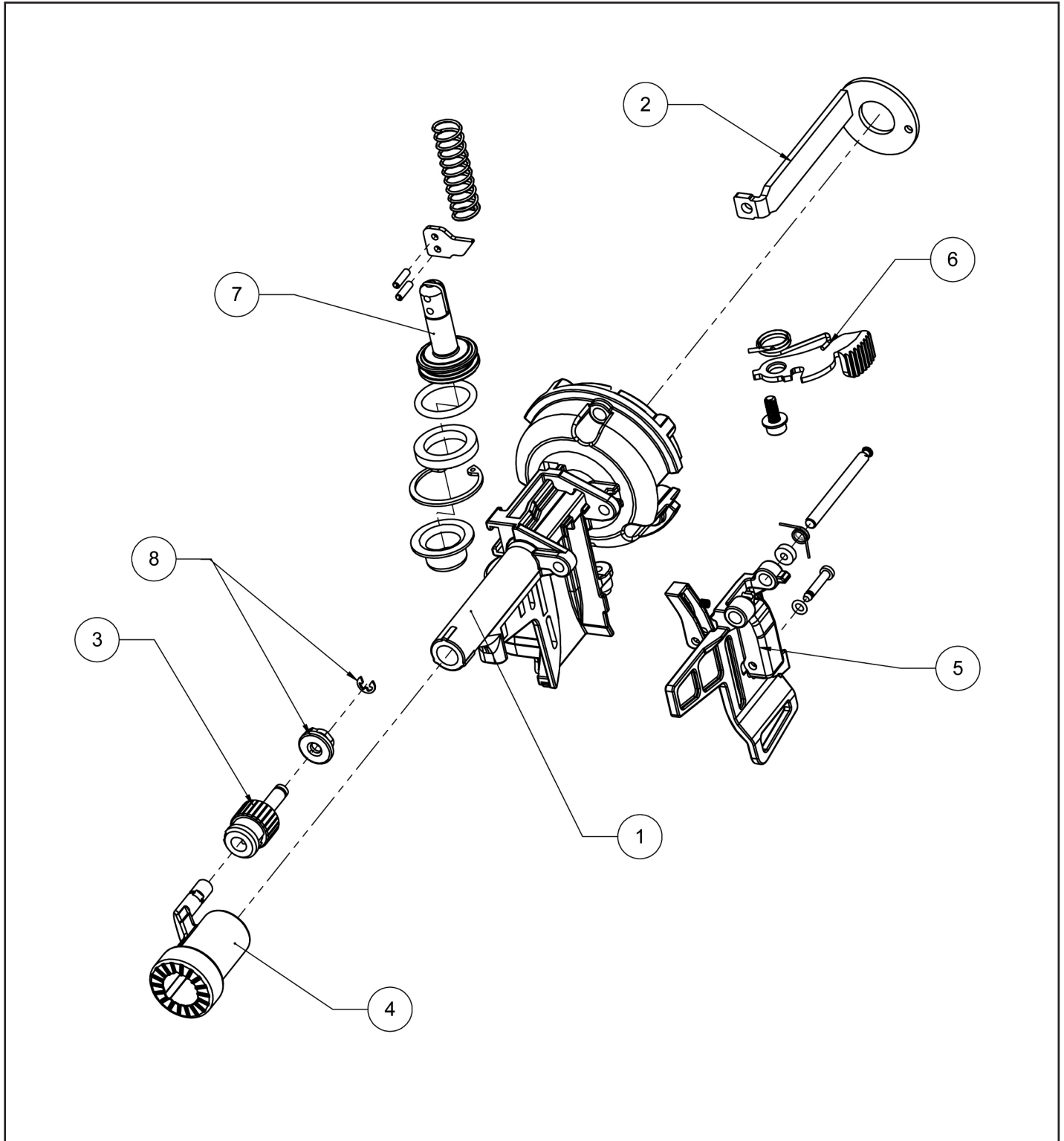
**ORDER BY FAX OR EMAIL**

f: 800-529-8680 e: [spcustomer.service@itwserviceparts.com](mailto:spcustomer.service@itwserviceparts.com)

<b>KEY</b>	<b>PART NO.</b>	<b>DESCRIPTION</b>
1	100229	NOSE ASSEMBLY
2	100069A	SLEEVE ASSEMBLY
3	902233	COMBUSTION CHAMBER ASSEMBLY
4	100174	BUMPER
5	900943A	RINGS, SLEEVE (PKG OF 2)
6	408837A	COMBUSTION CHAMBER PINS & SPRINGS (PKG OF 2)
7	100262	SUPPORT PLATE, SLEEVE
8	100070	CAGE
9	100259A	ADVANCE PISTON COVER ASSEMBLY
10	100158G2	SHROUD RING
11	100045G2	SHROUD
12	900296	FLANGE SCREW (PKG OF 3)
13	100073	HOUSING ASSEMBLY
14	100338	RUBBER GASKET
15	2769910	O-RING
16	100050G2	PISTON ASSEMBLY
17	401328	RETENTION RING, PISTON
18	7405055	PISTON RINGS
19	404464	RUBBER STOP, CAGE (2)

**ORDER BY FAX OR EMAIL**

**f: 800-529-8680 e: [spcustomer.service@itwserviceparts.com](mailto:spcustomer.service@itwserviceparts.com)**



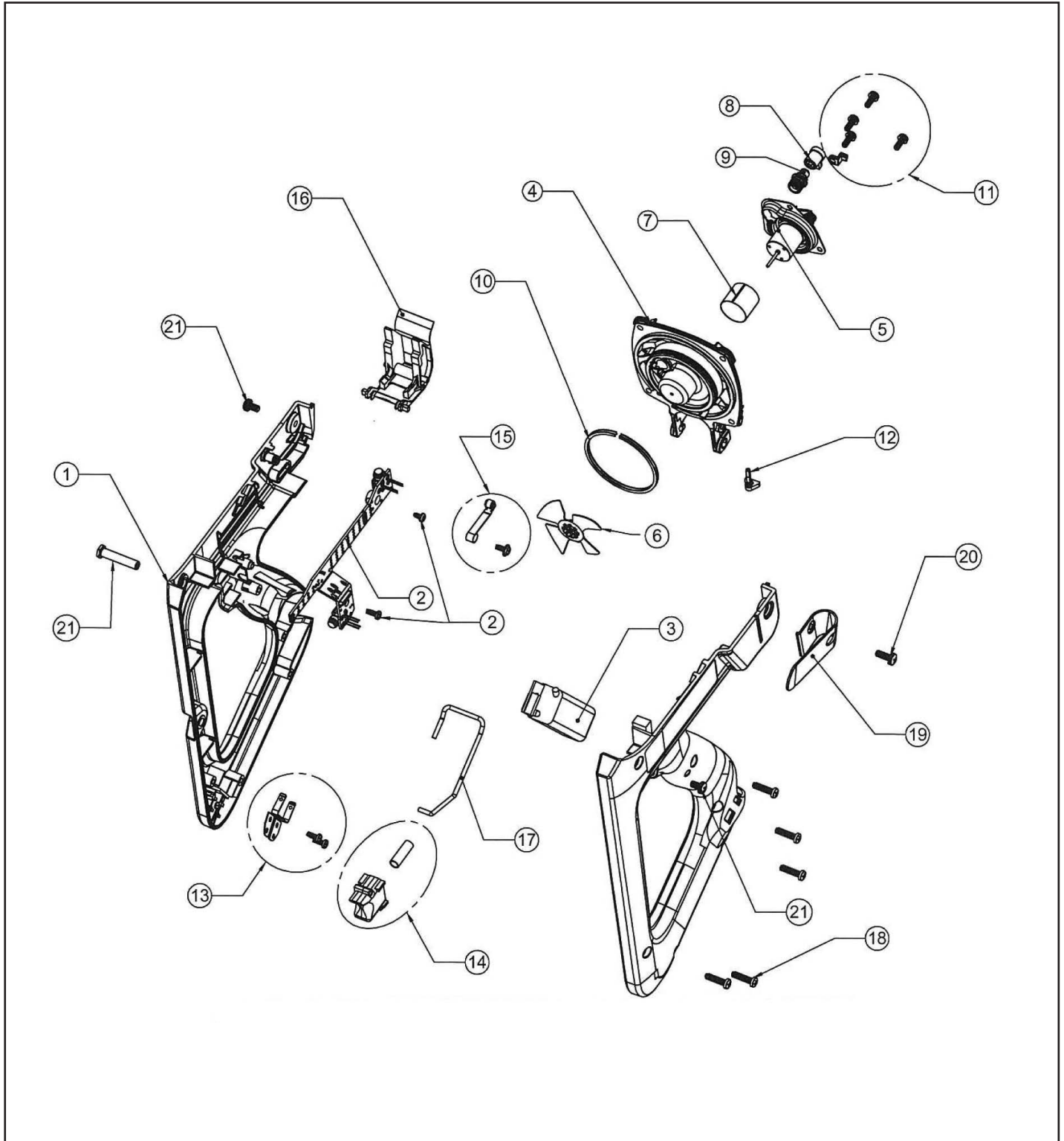
**ORDER BY FAX OR EMAIL**

f: 800-529-8680 e: [spcustomer.service@itwserviceparts.com](mailto:spcustomer.service@itwserviceparts.com)

<b>KEY</b>	<b>PART NO.</b>	<b>DESCRIPTION</b>
1	100229	NOSE
2	100249	ACTUATOR ASSEMBLY
3	100251	DEPTH ADJUSTMENT DIAL ASSEMBLY
4	100250	WORK CONTACT ELEMENT
4A	100342	G2 MAGNETIC LATH PROBE (NOT SHOWN)
5	100230	DOOR ASSEMBLY
6	100232	LATCH ASSEMBLY
7	100241	ADVANCE PISTON ASSEMBLY
8	100254A	DEPTH ADJUST DIAL RETENTION NUT AND CIRCLIP

**ORDER BY FAX OR EMAIL**

f: 800-529-8680 e: [spcustomer.service@itwserviceparts.com](mailto:spcustomer.service@itwserviceparts.com)



**ORDER BY FAX OR EMAIL**

f: 800-529-8680 e: [spcustomer.service@itwserviceparts.com](mailto:spcustomer.service@itwserviceparts.com)

<b>KEY</b>	<b>PART NO.</b>	<b>DESCRIPTION</b>
1	100056A	RIGHT AND LEFT HANDLE HALF
2	100059A	MOLDED CIRCUIT BOARD W/MOUNTING SCREWS
3	900474	MSU
4	100058	CYLINDER HEAD
5	901430A	MOTOR ASSEMBLY, FAN
6	403167	FAN BLADE ASSEMBLY
7	401356	MOTOR SLEEVE
8	100157	HIGH VOLTAGE WIRE ASSEMBLY
9	7505164	SPARK PLUG ASSEMBLY
10	900935A	CYLINDER HEAD STEEL RINGS (PKG OF 2)
11	900596A	CYLINDER HEAD SCREWS AND WIRE BRACKET
12	401340	RED STEM ADAPTOR
13	100095A	BATTERY CONTACTS AND SCREWS
14	404435A	TRIGGER AND SPRING
15	100184A	LEVER ASSEMBLY AND SCREW
16	900966	ACTUATOR ASSEMBLY
17	100097	CHAMBER LOCKOUT BAR
18	B0100A	HANDLE SCREWS
19	401495	BELT HOOK
20	401407	CYLINDER HEAD/BELT HOOK SCREW
21	100060A	HANDLE TO HOUSING BUSHING AND SCREWS
—	901422	PC BOARD ASSY, TF1200 (MUST USE WITH 901430 FAN MOTOR)
—	7505021	DANGER LABEL
—	7505022	SEQUENCE LABEL
—	7505025	WARNING LABEL

**ORDER BY FAX OR EMAIL**

**f: 800-529-8680 e: [spcustomer.service@itwserviceparts.com](mailto:spcustomer.service@itwserviceparts.com)**